



PARTS MANUAL

MODEL K301 12 HP

Engine Specs 4710 — 47771*

Generator Specs 8700 — 87371

HOW TO FIND YOUR PART NUMBER

1 Refer to the Composite Exploded View on page 2 (Grid A2). It contains major engine components boxed and identified by Group Number. Examine these groups for your part. After you locate your part, record the Group Number.

If the part you need is not illustrated, locate a major engine component related to your part and use this component to identify the Group Number.

2 Obtain the Spec Number from the nameplate attached to the engine shrouding. Refer to the Spec Number Index beginning on page 3 (Grid A3). Listed vertically on the left are Spec Numbers. Listed horizontally across

the top are Group Numbers and their titles, and Page Numbers.

Locate your Spec Number. Follow horizontally from your Spec Number to the Group Number column. Where these two columns meet is the Variation Number of your part. Record that Variation Number.

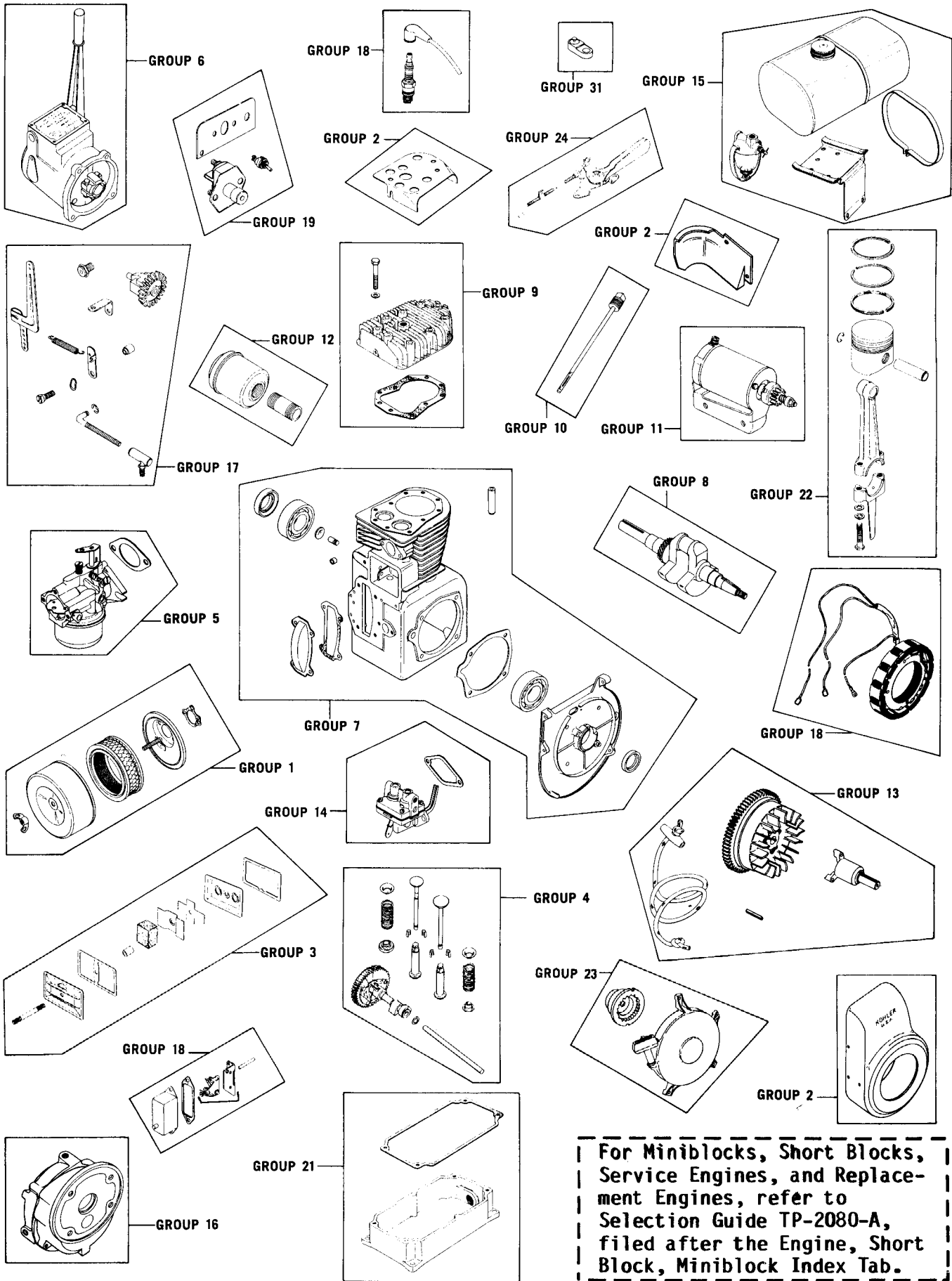
3 Refer to the page (or grid) where your part is listed. Locate the part in the illustration, use its identifying index number to locate the part name in the listing. Find the Variation Number of your part in those listed below the part name. Your part number is listed to the right of the Variation Numbers.

Illustrations are not intended to show the exact detail for all variations covered.

Quantities greater than one are shown in parenthesis behind part description.

*Spec 47779 & later are covered in Supplement TP-2065-A.

COMPOSITE EXPLODED VIEW



For Miniblocks, Short Blocks, Service Engines, and Replacement Engines, refer to Selection Guide TP-2080-A, filed after the Engine, Short Block, Miniblock Index Tab.

**SPEC. NO.
INDEX**

GROUP TITLE	AIR INTAKE	BAFFLES & SHROUD	BREATHER & VENT	CAMSHAFT & VALVES	CARBURETOR	CLUTCH	CRANKCASE	CRANKSHAFT	CYLINDER HEAD	DIPSTICK	ELECTRIC START	EXHAUST	FLYWHEEL	FUEL PUMP	FUEL TANK	GEAR REDUCTION	GOVERNOR	IGNITION	INSTRUMENT PANEL	OIL PAN	PISTON & ROD	RETRACTABLE START	REMOTE THROTTLE	HIGH TEMP. CUTOUT	
	1	2	3	4	5	6	7	8	9	10	11	12	13	14	15	16	17	18	19	21	22	23	24	31	
Group No.	1	2	3	4	5	6	7	8	9	10	11	12	13	14	15	16	17	18	19	21	22	23	24	31	
PAGE NO.	15	17	19	20	21	26	27	28	28	30	32	42	43	45	46	48	49	51	54	55	57	57	58	58	
SPEC. NO.	VARIATION NUMBER																								
#4710	1	151	1	5	1		1	1	48	1		1	1	32	44		1	1		1	1				
4712*	1	3	2	6	18		1	1	25	3	14		3	2			2	3		7	1			10	
4715*	3	2	1	8	10		154	1	25	5	7	3	3	6			7	2		1	1				
4717*	3	7	1	6	3		157	1	25	5			5	12			6	6		1	1			2	
4720	1	5	1	6	1		8	1	48	1	6	1	3	1	3		1	2	1	3	1				
4721*	1	8	1	6	3		157	5	25	1	8		6	5			8	7		1	1				
4725	1	5	1	8	1		8	1	48	1	6	1	3	1	3		3	2	1	3	1				
4727*	6	5	1	8	1		155	7	25	2			8	1			1	2		1	1				
4728	6	2	1	6	1		32	8	25	2	2	1	11	35		1	1	2		1	1				
4731	6	2	1	6	1	1	156	11	25	2	2	1	11	3		1	1	2		1	1				
4732	4	1	1	5	1		50	17	25	3			9	1			1	8		1	1				
4739	1	2	1	8	1		157	1	25	1	13		3	3			1	2		3	3				
4740	1	2	1	8	12		8	1	25	7	14		6	4			15	2		1	1				
4741	1	6	1	6	1		8	1	48	1	6		3	1	3		7	12		1	3			5	
4743*	1	8	1	8	3		154	15	25	2			31	8			15	15		1	1				
4744	1	1	1	5	1		157	8	48	1		1	1	2	24	1	1	1		1	1				
4746	1	10	1	6	9		21	16	5	4	15	8	12	4	5		1	2		8	1			6	
4747	1	1	1	5	1	1	84	21	48	1		1	1	2	24		1	1		1	1				
#4749	1	152	1	5	1		1	1	48	1		1	13	32	44		1	1		1	1		1		
4750	1	5	1	8	1		157	1	48	1	6	1	3	1	3		1	2	1	3	1				
4751	4	1	1	5	1		154	17	25	2		1	9	6			1	8		1	1				
4752	1	5	1	6	1		157	8	48	1	6	1	3	1	3	2	1	2		1	3				
#4753	1	151	1	5	1		157	8	48	1		1	1	32	44		1	1		1	1				
4756*	1	23	1	7	1		1	18	48	1		1	13	33	24		1	1		1	1		1		
4757*	10	151	1	5	1		1	1	48	1		10	1	33	44		1	1		1	1		1		
4758*	10	5	1	6	1		1	1	48	1	6	10	3	32	44		1	2	1	3	1				
4759	14	10	1	6	13		21	16	48	4	15	8	12	4	6		1	2		8	1			6	
4761	1	1	1	7	1		1	1	48	1		1	1	1	1		3	1		1	1				
4762	1	5	1	6	1		157	8	48	1	6	1	3	1	3	1	1	2	1	3	1				
4763*	1	17	1	6	10		29	16	25	7	17		14	6			2	16		8	1				
4764*	1	1	1	5	1		157	1	48	1		1	9	33	24		1	18		1	1				
4765*	8	15	1	6	10		33	1	25	5		9	3	5			1	21		6	3				
4766	1	14	1	6	1		8	1	48	1	6		3	1	3		2	12	1	3	1			5	
4768*	4	2	1	6	1		1	19	25	1	7	6	3	1	1		1	5		3	1				
4769	1	13	1	5	1	1	156	11	48	2		1	1	1	1		7	1		1	1			5	
4770*	1	16	1	6	3		200	21	25	39	8		17	15			25	15		9	1				
4771	1	1	1	7	1		1	1	48	1		1	1	1	1		1	1		1	1				
4772	7	20	3	7	1		32	20	48	2		7	32	13	9		12	36		1	1			12	
4773	7	20	3	7	1		32	20	48	2	26	7	32	13	10		12	26		4	3			12	
4775	1	1	1	7	1		20	8	48	1		1	1	1	1	1	1	1		1	1				
#4777	1	151	1	7	1		157	1	48	1		1	1	32	44		7	1		1	1				
4780	3	6	1	7	8		8	1	48	1	19	1	1	1	3		1	1		4	3			5	
4783	1	153	1	5	1		1	1	48	1		1	1	32	44		7	1		1	1			5	
4784*	1	17	1	6	15		35	7	61	9	18		24	9			11	34		9	1				
4786	1	5	1	6	1	1	156	11	48	2	6	1	3	1	3		1	2	1	3	1				
4787	1	5	1	6	1		32	1	48	2	6	1	3	32	44		7	12	1	3	1			5	
4794*	1	152	1	5	1		157	1	25	1		1	13	34			1	1		1	1		2		
4796	1	1	1	5	1		158	1	48	1		1	1	33	24		1	1		1	1				
4797	1	5	1	6	1		8	1	48	1	6	1	3	1	3		3	2		3	1				
4798	3	1	1	5	8		12	1	48	1		1	21	1	1		1	1		1	1				
47101	1	5	1	8	1		8	1	48	1	6	1	3	1	3		1	2		1	3				
47102	1	6	1	6	1	1	156	11	48	2	6	1	3	1	3		7	12		1	3			5	
47103	9	18	1	5	14		41	22	7	11			20	16			8			13	4		4		
47104	1	23	1	5	1		1	3	48	1		1	13	33	24		1	1		1	1		1	11	
47105*	1	5	1	9	3		155	1	48	2	16	1	3	1	3		1	2		1	3				
47107	1	1	1	5	16		1	1	8	1		1	26	32	24		1	1		1	5				
47111	1	1	1	5	1		1	1	48	1		1	1	1	1		3	1		1	1				
47112	1	22	1	5	1		1	1	48	1		1	1	1	1		7	1		1	1			5	
47113	1	14	1	6	1		8	1	48	1	6	1	3	1	3		7	1		1	1			5	
47114	1	13	1	7	1	1	156	11	3	2		1	1	1	1		7	12	1	1	1			5	

*Optional Accessories: See Page 59 & 60.

#Basic Engine

Gasket Set: See Page 61.
Contact your Kohler engines parts supplier for any specification not listed.

SPEC. NO. INDEX

GROUP TITLE	SPEC. NO. INDEX																											
	AIR INTAKE	BAFFLES & SHROUD	BREATHER & VENT	CAMSHAFT & VALVES	CARBURETOR	CLUTCH	CRANKCASE	CRANKSHAFT	CYLINDER HEAD	DIPSTICK	ELECTRIC START	EXHAUST	FLYWHEEL	FUEL PUMP	FUEL TANK	GEAR REDUCTION	GOVERNOR	IGNITION	INSTRUMENT PANEL	OIL PAN	PISTON & ROD	RETRACTABLE START	REMOTE THROTTLE	HIGH TEMP. CUTOUT				
Group No.	1	2	3	4	5	6	7	8	9	10	11	12	13	14	15	16	17	18	19	20	21	22	23	24	25			
PAGE NO.	15	17	19	20	21	26	27	28	28	30	32	42	43	45	46	48	49	51	54	55	57	57	58	58				
SPEC. NO.	VARIATION NUMBER																											
47115	1	5	1	8	1	1	23	11	48	2	6	1	3	1	3		1	2	1	3	1							
47119	11	18	1	7	17		41	22	25	12		12	20	16				8	1	15	4	5						
47121*	14	24	1	6	13		21	16	48	7	23	13	14	9	11		1	29	16	1	1			9				
47124*	10	12	1	5	1		157	8	48	1		10	13	33	24		1	1	1	1	1	1						
47127	1	1	1	5	1		1	1	48	1		1	1	1	1			1	1	1	1	1						
47128	1	23	1	5	1		1	1	48	1		1	13	32	44		7	1	1	1	1	1	1	5				
47129	1	23	1	5	16		1	1	8	1		1	29	32	24		7	1	1	1	5	1		5				
47135	1	28	1	8	1		8	1	48	1	32	1	3	4	22		3	2	1	3	1	1						
47138	14	10	1	6	13		21	16	48	4	28	8	12	4	6		1	2	2	8	1			15				
47139	1	5	1	6	1		2	3	25	2	6		34	3			2	2	7	3	1							
47140*	10	152	1	5	1		1	1	48	1		10	13	33	44		1	1	1	1	1	1						
%47145	1	19	1	5	1		52	1	48	1	99	1	33	3	15		1	48	9	1	1	1						
%47147*	1	45	2	5	18		54	1	3	3	37	1	51	2			2	38	7	1	1		10	1				
47151	3	23	1	7	1		1	1	48	1		1	13	1	1		7	1	1	1	1	1		5	1			
47159	1	151	1	7	1		157	10	48	1		1	1	33	44		3	1	1	1	1	1						
47160*	1	68	2	7	26		56	26	11	17	40	1	36	4			14	33	1	1	1	1						
47162*	1	2	1	5	3		157	1	25	1	39	1	39	4			1	40	1	1	1	1						
47167	7	20	3	7	1		32	20	48	2	26	7	32	13	10		12	26	8	3	1	1		12				
47174	1	5	1	6	1		158	3	48	1	6	1	2	1	3		1	2	1	3	1	1						
47175*	1	68	2	8	26		144	31	11	17	40	1	61	4			14	72	1	24	6							
47176	1	148	1	7	1		233	65	25	80		1	137	33			27	1	13	1	1							
47181	1	162	1	7	1		62	20	48	5	45	1	40	13	49		12	47	13	26	1			12				
47183	1	148	1	7	1		235	34	25	80		1	137	33			27	1	1	1	1							
47184	1	177	1	7	1		47	4	57	2		31	39	28			5	27	4	1	1							
47185	1	17	1	8	15		34	21	25				42	15			1	2	12	12	1							
47186	1	148	1	7	1		235	65	25	80		1	137	33			27	1	1	1	1							
47187	1	148	1	7	1		233	34	25	80		1	137	33			27	1	1	1	1							
47188	1	20	1	7	1		32	20	25	5		1	32	33			12	1	1	1	1			12				
47196	1	12	1	5	16		157	8	8	1		1	29	32	24		3	1	1	1	5	1						
47201	1	12	1	5	16		157	1	8	1		1	29	10	1	2	3	1	1	1	5	1						
47202	1	1	1	5	29		154	1	25	2		1	1	4			1	1	20	1	1							
47204*	3	58	1	5	3		77	1	3	1	37	1	43	12			6	32	1	1	1			2				
47210	1	13	1	5	16		1	1	8	1		1	26	32	24		7	1	1	1	5			5				
47215	1	154	1	7	1		32	20	48	5		1	32	33	51		12	118	1	1	1			12				
47216	16	154	1	7	1		32	20	48	5	26	7	32	13	48		12	26	8	3	1			12				
47222	1	13	1	5	1		20	8	48	1		1	1	1	1	1	7	1	1	1	1			5				
47225	3	23	1	7	1		157	27	48	1		1	13	33	24		7	1	1	1	1	1		5				
47226	1	13	1	7	1		157	1	48	1		1	1	32	24		7	1	1	1	1			5				
47228	16	20	1	7	16		32	20	8	2		7	47	10	9		12	36	1	5	1			12				
%47232*	3	54	1	5	19		94	24	15	23	40	1	50	21			2	44	1	1	1			16				
47233*	1	1	1	10	3		155	1	48	2		1	1	33	24		1	1	1	1	1							
47234	1	41	1	7	1		62	20	48	2	99	7	40	13	17		12	45	9	1	1			12				
47235	1	1	1	7	1		158	1	48	1		1	1	33	29		3	1	1	1	1							
47236	1	5	1	7	1		158	1	48	1	6	1	1	1	14		3	1	4	3	1							
47237	1	151	1	7	1		157	1	48	1		1	1	33	44		3	1	1	1	1							
47238*	20	15	2	6	10		33	3	25	5		9	3	5			17	21	6	1	1							
47239*	1	66	1	5	3		98	1	3	1	98	1	33	4			1	48	1	1	1							
47244	10	5	1	6	1		158	1	48	1	6	3	3	1	3		1	2	1	3	1							
47245	16	56	1	7	1		32	20	48	5		7	32	33	30		12	36	1	1	1			12				
47247*	1	19	1	5	1		100	1	48	1	99	1	33	3	15		1	48	9	1	1							
47248	11	48	1	7	33		41	17	25	12		12	20	16				8	15	4	5							
47249*	1	89	1	7	1		162	1	48	2	30	1	62	27	21		7	53	10	1	1			5				
47252*	1	89	1	5	1		128	1	25	1	30	1	62	1			1	53	1	1	1							
47254*	1	55	1	5	9		117	1	10	1	37	1	33	4	6		1	32	1	1	1							
47255*	1	97	1	5	3		185	3	15	31	37	1	90	1			10	49	1	1	1							
47257	1	19	1	5	3		113	14	48	2	99	5	33	3	15		1	48	9	1	1			18				
47264*	6	5	1	8	29		4	7	25	2		8	4				1	2	20	1	1							
47267	16	20	1	7	1		32	20	48	2		7	32	13	25		12	36	1	1	1			12				
47268*	6	2	1	8	10		154	1	25	5	7	3	3	6			7	2	1	1	1							
47272	1	19	1	7	1		191	1	48	1	30	1	48	33	36		3	1	10	1	1							

*Suffix letter C of these specifications have the following variations:

47145	1	89	1	5	1		191	1	48	1	99	1	62	3	21		1	67	9	1	1				
47147*	1	45	2	5	18		138	1	25	3	37	1	91	2			2	53	23	1	1				
47232*	3	82	1	5	19		165	24	15	23	40	1	71	21			2	61	1	1	1			10	16

*Optional Accessories: See Page 59 & 60.

#Basic Engine

Gasket Set: See Page 61.
Contact your Kohler engines parts supplier for any specification not listed.

**SPEC. NO.
INDEX**

GROUP TITLE	AIR INTAKE	BAFFLES & SHROUD	BREATHER & VENT	CAMSHAFT & VALVES	CARBURETOR	CLUTCH	CRANKCASE	CRANKSHAFT	CYLINDER HEAD	DIPSTICK	ELECTRIC START	EXHAUST	FLYWHEEL	FUEL PUMP	FUEL TANK	GEAR REDUCTION	GOVERNOR	IGNITION	INSTRUMENT PANEL	OIL PAN	PISTON & ROD	RETRACTABLE START	REMOTE THROTTLE	HIGH TEMP. CUTOUT	
Group No.	1	2	3	4	5	6	7	8	9	10	11	12	13	14	15	16	17	18	19	21	22	23	24	31	
PAGE NO.	15	17	19	20	21	26	27	28	28	30	32	42	43	45	46	48	49	51	54	55	57	57	58	58	
SPEC. NO.	VARIATION NUMBER																								
47273*	8	19	1	5	3		113	1	48	5	30		33	4	15		1	48							
47275	8	91	1	10	3		152	1	25	28	94	1	69	1			3	58				6	1		
%47277*	1	43	1	5	3		121	1	3	1	37		33	4			18	41			2	1			
47278*	1	106	1	7	3		185	1	25	31	94		90	2			1	67			1	1			
47279*	1	105	1	8	42		161	3	25	3	37		96	4			1	120			1	1			
%47284*	1	69	1	5	1		132	1	48	1	99	19	51	3	15			48		9	1	1			
47289*	8	93	1	5	3		159	29	48	35	30		62	25	15		1	58			1	1			
47293*	6	5	1	8	1		143	51	25	30			8	1			1	2			1	1			
47295*	1	106	1	7	47		185	1	25	31	94		90	4			1	67			1	1			
47296*	10	19	1	5	1		145	1	48	1	99	10	33	3	15		1	48		9	1	1			
47297	11	78	1	7	33		147	17	3	12		12	76	16				8			12	1	6		
47303	21	111	1	5	3		184	65	15	31	37		77	6			10	53			1	1			
47304	6	93	1	7	1		162	3	48	2	99	11	91	3	21			49		9	1	1			
47305	1	89	1	7	1		152	1	48	1	99	1	62	3	37		3	67		9	1	1			
47306*	1	16	1	6	3		200	21	25	8			17	15			10	15		9	1	1			
47309*	1	115	1	11	42		168	57	25	2	37		86	1			1	121			1	1			
47310*	1	115	1	10	29		168	57	25	2	41		86	4			1	57			20	1			
47312*	1	197	2	5	1		170	34	65	1	40		1	4			17	60			1	1			
47313*	3	111	1	5	3		182	29	25	1	99		81	12			6	62			1	1			
47314	1	89	1	5	3		159	34	48	28	99	5	62	25	21		1	67		9	1	1		2	18
47315	1	5	1	8	1		22	14	48	1	6	1	3	1	3		3	2		1	3	1			
47332*	6	101	1	7	3		154	1	15	5		3	13	1			7	1			1	1		1	
47335*	6	86	1	7	10		168	1	15	5	92	3	73	6			7	89			1	1			
47336	6	99	1	5	8		186	8	15	2	94	1	85	3		2	1	80			1	1			
47339	1	111	1	5	3		184	65	25	31	37		121	6			10	58		30	1	1			
47340*	1	45	2	5	18		184	65	25	30	37	27	91	2			2	53			23	1	1	10	5
47342	11	23	1	5	1		154	1	48	2		1	13	33	26		1	1			1	1	1		
47344	1	152	1	5	1		157	8	48	1		1	13	32	44		2	1			1	1	1		
47345	1	162	1	7	1		62	20	48	5	45		98	33	49		12	26		13	26	1	1	12	
47346*	1	98	1	5	3		172	29	25	1	37		62	4			18	64			2	1	1		
47347	14	103	1	6	50		21	16	24	4	28	25	12	4	22		1	2			8	1		15	
47349*	1	16	1	6	3		200	21	25	39			17	15			25	15			9	1			
47350*	6	102	1	7	3		152	1	15	1	37		91	3			1	58			1	1			
47351	1	152	1	5	1		157	8	48	1		1	13	33	44	2	1	1			1	1	1		
47352	1	152	1	5	1		1	1	48	1		1	13	33	44		1	1			1	1	1		
47358	1	152	1	7	1		157	1	48	1		1	13	32	44		1	1			1	1	1		
47362	1	89	1	7	1		161	1	48	1	99	1	62	3	21		1	67		9	1	1	1		
47363	1	89	1	5	1		206	21	48	2	99	1	62	3	21		1	67		9	1	1	1		
47364*	24	152	1	7	69		32	3	25	2		3	111	19			23	1			1	1	1		
47365	1	89	1	5	1		161	8	48	1	99	1	62	3	21	2	1	67		9	1	1	1		
47366*	30	151	1	5	42		1	1	48	1		1	1	32	44		1	1			1	1	1		
47367	1	55	1	7	22		128	1	48	1	98		62	4	6		3	82		11	1	1	1		
47369*	1	69	1	8	3		152	3	25	28	54	31	65	4			15	120			1	1	1		
47371*	1	111	2	5	18		184	65	25	30	37	27	91	2			21	53			23	1	1	10	
47374*	1	89	1	5	3		172	34	25	1	30	1	62	34			1	67			1	1	1		
47375	1	89	1	5	1		191	1	48	1	97	1	62	32	24		7	66		14	1	1	1	5	
47376	14	103	1	6	15		208	30	24	40	28	25	12	4	22		1	2			8	1	1	15	
47378	1	89	1	7	1		161	10	48	1	99	1	62	3	21		3	67		9	1	1	1		
47380	1	1	1	5	16		157	8	8	1		1	26	32	24		3	1			1	5			
47381	8	109	1	7	1		32	3	48	5		1	1	33	28		7	78		75	1	1	1		5
47382*	1	16	1	6	3		200	21	25	39			108	15			25	15			9	1	1		
47387	1	69	1	5	3		172	29	48	1	99	1	91	29	21		10	67		9	1	1	1		
47389*	1	102	1	7	3		152	21	15	28	37	3	91	4			7	103			30	1	1		
47391*	1	105	1	5	1		172	34	15	1	91		123	19			25	93			1	1	1		
47393*	1	138	2	6	53		211	3	33	7	8	29	112	4	27		17	110			8	1	1		
%#47394	1	118	1	6	1		152	1	48	1	96	1	123	32	43		1	90		18	1	1	1		
47395*	1	115	2	8	3		215	31	29	17	40		106	4			14	86			24	6	1		
47397	1	118	1	5	1		152	1	48	1	96	1	123	32	43		1	94		19	1	1	1		
47398	14	103	1	6	50		21	16	24	4	15	25	12	4	22		1	2			8	1	1	15	
47399*	1	115	2	8	3		144	31	29	17	40		61	4			14	72			24	6	1		

*Suffix letter C of these specifications have the following variations:

47277*	1	98	1	5	3		152	1	25	1	37		62	4			18	64			2	1			
47																									

**SPEC. NO.
INDEX**

GROUP TITLE	VARIATION NUMBER																										
	AIR INTAKE	BAFFLES & SHROUD	BREATHER & VENT	CANSHAFT & VALVES	CARBURETOR	CLUTCH	CRANKCASE	CRANKSHAFT	CYLINDER HEAD	DIPSTICK	ELECTRIC START	EXHAUST	FLYWHEEL	FUEL PUMP	FUEL TANK	GEAR REDUCTION	GOVERNOR	IGNITION	INSTRUMENT PANEL	OIL PAN	PISTON & ROD	RETRACTABLE START	REMOTE THROTTLE	HIGH TEMP. CUTOUT			
Group No.	1	2	3	4	5	6	7	8	9	10	11	12	13	14	15	16	17	18	19	21	22	23	24	31			
PAGE NO.	15	17	19	20	21	26	27	28	28	30	32	42	43	45	46	48	49	51	54	55	57	57	58	58			

SPEC. NO.	VARIATION NUMBER																										
47400	1	113	1	5	3		185	65	15	31	94	1	91	3			10	67		1	1						
47402*	6	86	1	7	3		186	3	15	5	92	3	73	19			7	88		1	1						
47403	1	111	1	5	3		184	65	15	31	37		115	6			25	74		1	1						
47404	1	111	1	6	3		184	65	25	31	37		120	6			25	108		2	1						
47407	1	111	2	5	18		184	65	15	30	91	27	117	2			21	102		23	1			10			
47410	3	82	1	5	19		165	24	15	23	53		123	21			21	91		1	1			16			
47411*	24	133	1	6	3		184	1	25	30	37		123	1			10	75		2	1						
47412	1	118	1	8	1		161	1	48	1	96	1	123	32	43			1	90	18	1	1					
47413*	25	105	1	8	57		185	1	15	31	93		116	31			3	106		1	1						
47414*	25	105	1	15	47		185	1	42	31	93		116	4			3	119		1	1						
47416	1	55	1	8	1		152	1	48	1	95	1	123	4	22		3	112	21	1	1						
47417*	1	140	1	8	3		184	29	36	31	37		123	6	33		25	113		1	1						
47419*	1	115	2	8	3		215	31	29	17	40		61	4			14	72		24	6						
47420*	6	86	1	7	3		186	3	15	5	91	3	123	19			7	95		1	1						
47421	1	111	2	6	18		184	65	25	30	95	33	117	3			21	127		23	1			10			
47422*	1	135	1	7	3		172	76	25	28	37	3	117	4			7	104		30	1						
47423*	1	105	2	7	3		172	29	25	1	91		103	4			24	97		2	1						
47424*	6	86	1	7	10		168	1	15	5	91	3	123	6			7	99		37	1						
47425	1	118	1	6	1		161	8	48	1	96	1	123	32	43	2	1	90	18	1	1						
47426*	1	69	1	6	1		152	1	48	1	96	19	117	33	44		1	100		1	1						
47427*	3	128	1	7	10		157	4	48	1	37		1	33	51		22	1		1	1						
47428*	6	105	1	6	42		186	8	15	2	37	1	124	3		2	1	101		1	1						
47433	3	136	2	8	26		223	74	38	42	50		128	26			20	105		24	6						
47434	1	118	1	8	1		161	10	48	1	96	1	123	33	43		3	90	18	1	1						
47435*	14	118	1	8	1		161	4	48	1	101	1	123	33	41		7	131		1	1			5			
47436*	1	111	2	8	62		172	29	15	1	37		117	4			24	92		2	1						
47438	1	118	1	8	1		152	1	48	1	96	1	103	33	45		3	90	18	1	1						
47440	1	118	5	6	1		186	8	48	2	96	1	123	32	43	2	1	90	18	1	1						
47444	1	118	1	6	1		168	17	48	2	96	1	123	32	44		25	90		1	1						
47445	1	89	1	6	1		128	1	47	1	100	1	123	32	42		7	115	22	1	1			5			
47446	14	141	1	6	50		226	30	40	44	28	25	12				26	114		36	1			21			
47448*	1	131	2	6	53		225	3	43	7	91	29	126	4	27		17	111		8	1						
47454	1	118	1	8	3		186	1	48	2	96	1	123	32	43		25	90	18	1	1						
47456	1	111	1	6	3		184	65	15	31	91		115	6			25	126		1	1						
47458*	1	135	1	8	62		172	76	25	28	37	3	117	4			7	122		30	1						
47459	3	82	1	6	19		165	24	15	23	53		143	21			21	128		1	1			16			
47460	1	105	1	8	1		234	65	25	80		1	123	33			27	90		1	1						
47462	1	148	1	7	1		233	83	25	80		1	137	33			27	1		1	1						
47465	1	150	1	8	3		232	74	25	5		1	42	33			27	15		8	1						
47467	1	118	1	6	1		152	1	48	1	96	1	123	32	43		7	115	18	1	1			5			
47468	1	152	1	5	1		154	1	48	2		1	13	32	44		25	1		1	1						
47470*	1	131	2	6	62		225	3	43	7	91	29	126	4	27		17	111		38	1						
47474	3	136	2	8	26		242	74	38	15	50		128	26			20	105		36	6						
47476	1	118	1	6	1		152	1	48	28	30		134	32	43		7	116	23	1	1			5			
47477	14	23	1	7	1		157	4	48	1		1	13	33	44		7	1		1	1			5			
47478	1	118	1	8	1		161	1	48	1	96	1	123	32	43		7	115	18	1	1			5			
47479*	1	221	1	6	77		21	86	61	12			141	6			28	133		43	1						
47482	3	82	1	6	19		247	1	15	23	53		143	21			21	128		1	1			16			
47485*	1	145	1	6	3		200	21	67	39			108	15			25	135		39	1						
47490*	1	118	1	8	3		172	29	48	28	96		123	32	41		25	108		1	1						
47491	16	210	1	7	42		32	20	57	5		7	32	43			12	26		1	1			12			
47494	1	172	1	8	1		152	1	55	1	96	1	123	32	43		7	115	18	1	1			5			
47498	24	166	1	8	74		168	1	58	5	91	3	123	6			7	141		37	1						
47499*	1	186	1	8	3		152	3	57	1	37	12	96	4			1	120		1	1						
47502*	1	196	2	6	62		270	3	63	17	91		126	4	27		17	111		38	1						
47504	14	217	1	6	50		226	30	72	44	28	34	12				25	114		36	1			15			
47507*	1	172	1	23	1		1	1	57	1	60	2	147	42			3	1	28	1	1						
47509*	1	220	2	10	3		1	3	81	1			13	32			17	144		2	1						
47514	1	227	1	7	1		32	20	55	5			153	33			12	157		1	1			12			
47515	3	172	1	8	1		152	1	55	3	61	1	154	33	45		3	15	23	1	1						

*Optional Accessories: See Page 59 & 60.
#Basic Engine

Gasket Set: See Page 61.
Contact your Kohler engines parts supplier for any specification not listed.

**SPEC. NO.
INDEX**

GROUP TITLE	VARIATION NUMBER																									
	AIR INTAKE	BAFFLES & SHROUD	BREATHER & VENT	CAMSHAFT & VALVES	CARBURETOR	CLUTCH	CRANKCASE	CRANKSHAFT	CYLINDER HEAD	DIPSTICK	ELECTRIC START	EXHAUST	FLYWHEEL	FUEL PUMP	FUEL TANK	GEAR REDUCTION	GOVERNOR	IGNITION	INSTRUMENT PANEL	OIL PAN	PISTON & ROD	RETRACTABLE START	REMOTE THROTTLE	HIGH TEMP. CUTOFF		
Group No.	1	2	3	4	5	6	7	8	9	10	11	12	13	14	15	16	17	18	19	21	22	23	24	31		
PAGE NO.	15	17	19	20	21	26	27	28	28	30	32	42	43	45	46	48	49	51	54	55	57	57	58	58		
SPEC. NO.																										
47519*	1	182	1	8	3		172	65	57	28	54		65	4			15	120			1	1				
47525	42	233	1	5	81		1	1	86	1		1	26	4	54		1	1			1	5				
47526*	1	182	1	8	3		284	65	57	48	54		65	4			15	120			1	1				
47527	1	168	1	7	1		157	3	55	1			1	33	44		3	1			1	1				
47528	25	169	1	7	1		157	1	57	1			13	32			15	1			1	1	1			
47529	38	174	1	6	3		200	21	68	39			108	46			25	500			39	1	1			
47531	1	172	1	6	1		161	8	55	1	30		1	123	32	43	2	1	90	18	1	1				
47532	1	169	1	5	1		157	8	55	1			1	13	32	44	2	1	1		1	1	1			
47533*	1	186	1	8	3		172	65	57	1	37		12	96	4		1	120			1	1				
47534*	22	169	1	5	42		1	1	55	1			11	13	32	44		1	1		1	1	1			
47536	42	233	1	5	81		1	1	86	1			1	26	4	54		7	1		1	5			5	
47537*	1	186	1	8	42		291	65	57	48	37		1	96	4			1	155		1	1				
47538	1	168	1	7	1		178	65	55	1			1	33	44			3	1		1	1				
47540	25	183	1	6	3		184	31	87	31	91		39	115	43			25	151		2	1				
47541	46	225	1	6	84		289	96	84	55	58		39	151	4			33	161		36	1				
47542	45	228	8	8	82		286	74	84	52	103		42	156	45			32	148		44	1				
47543	1	171	1	5	1		157	8	55	1			1	13	32	44	2	7	1		1	1	1		5	
47546	42	233	1	5	81		157	8	86	1			1	26	4	54	2	3	1		1	5				
47547*	32	172	1	6	42		152	1	55	1	105		1	123	32	500		7	152	33	1	1			5	
47548*	32	219	1	6	29		152	1	70	3	104		1	123	4			7	152	32	20	1			5	
47549*	38	186	1	8	91		159	65	57	41	37		12	96	4			34	120		46	1				
47550	1	169	1	7	1		157	10	55	1			1	13	32	44		1	1		1	1	1			
47553	3	211	1	7	1		47	4	61	2			7	160	1	20		16	35		4	1	1	7		
47567	16	185	1	7	42		32	20	57	5	65		7	98	43			12	501	19	1	1			12	
47568*	168	168	1	5	1		157	1	57	1			1	1	21			1	1		1	1				
47570	3	196	2	6	62		270	3	63	17	53		1	26	4	27		17	111		43	1				
47571	1	233	1	5	81		1	1	86	1			1	26	4	54		41	1		1	5				
47580	1	233	1	7	81		157	10	86	1			1	26	4	54		3	1		1	5				
47581	50	237	1	6	84		295	96	84	52	58		39	151	4			33	161		36	1				
47582	14	172	1	8	3		161	8	55	3	102		1	123	32	41	2	25	109		1	1				
47587	1	172	1	6	1		172	29	55	1	30		1	123	32	43		1	90	18	1	1				
47588	38	195	1	6	91		200	21	88	39	66		1	108	46			500	159		39	1				
47589*	1	220	2	10	3		170	65	81	1			13	32				17	144		2	1	1			
47599	1	238	5	5	19		301	24	58	48			13	47				21	167		1	1	1		16	
47601	1	179	1	6	19		165	24	58	23	37		143	47				21	128		1	1			16	
47602	1	168	1	5	1		303	1	55	2			1	1	32	44		25	1		1	1				
47606	64	231	8	6	106		289	3	84	53	37		39	153	4			33	143		49	1				
47608*	1	172	1	6	1		168	16	57	2	30		123	32				1	90		1	1				
47611*	38	186	1	8	95		182	65	57	41	37		96	4				1	155		46	1				
47612	38	186	1	6	91		200	21	88	39	69		116	49				25	168		39	1				
47614	1	179	1	6	19		268	1	58	23	37		123	21				21	128		1	1			16	
47618*	38	186	1	8	91		159	65	90	56	37		12	96	4			34	170		50	1				
47619*	52	169	1	5	42		318	29	55	48			19	13	32	44		25	182		1	1	1			
47620	45	228	8	8	82		286	74	84	52	50		42	168	52			45	148		44	1				
47622	50	237	1	6	125		295	96	84	52	71		39	151	4			33	173		36	1				
47624	1	183	2	6	97		184	65	57	30	37		117	2				46	127		23	1			10	
47627*	1	248	1	6	3		308	7	61	9	37		156	58				11	181		43	1				
47631	1	169	1	7	119		322	4	55	48			13	48	51			55	35		1	1	1			
47634	3	249	2	8	98		242	26	91	7	50		173	52				47	184		44	1				
47640	45	228	8	8	82		242	74	84	52	50		42	168	59			45	208		54	1				
47642	25	183	1	6	3		184	31	87	31	37		39	174	51			25	186		2	1				
47643	53	228	8	6	82		298	3	84	52	69		39	170	59			51	153		44	1				
47647*	1	185	1	7	1		157	1	55	28	30		147	48	51			12	157		1	1			25	
47648	1	183	2	6	97		302	65	57	37			117	60				46	127		52	1			10	
47650*	1	183	1	6	1		161	1	82	1	37		164	48				6	158		1	1			2	
47651	1	253	1	6	1		152	1	55	1	30		1	123	48	57		1	179	37	1	1				
47652*	1	215	1	8	3		184	29	78	31	37		1	123	51			25	130		1	1				
47677	1	253	1	8	1		161	10	55	1	30		1	123	53			3	90		1	1				
47678	1	253	1	8	3		186	1	55	2	30		1	123	48	57		25	90		37	1				

*Optional Accessories: See Page 59 & 60.
#Basic Engine

*Gasket Set: See Page 61.
Contact your Kohler engines parts supplier for any specification not listed.

SPEC. NO. INDEX

GROUP TITLE	AIR INTAKE	BAFFLES & SHROUD	BREATHER & VENT	CAMSHAFT & VALVES	CARBURETOR	CLUTCH	CRANKCASE	CRANKSHAFT	CYLINDER HEAD	DIPSTICK	ELECTRIC START	EXHAUST	FLYWHEEL	FUEL PUMP	FUEL TANK	GEAR REDUCTION	GOVERNOR	IGNITION	INSTRUMENT PANEL	OIL PAN	PISTON & ROD	RETRACTABLE START	REMOTE THROTTLE	HIGH TEMP. CUTOUT	
	1	2	3	4	5	6	7	8	9	10	11	12	13	14	15	16	17	18	19	21	22	23	24	31	
<i>Group No.</i>	1	2	3	4	5	6	7	8	9	10	11	12	13	14	15	16	17	18	19	21	22	23	24	31	
PAGE NO.	15	17	19	20	21	26	27	28	28	30	32	42	43	45	46	48	49	51	54	55	57	57	58	58	
SPEC. NO.	VARIATION NUMBER																								
47679	1	253	1	6	1		152	1	55	1	30	1	123	48	57		7	180	37	1	1				
47681	1	253	1	8	3		161	8	55	3	30		123	48	41	2	25	197		1	1				
47685	1	253	1	8	1		152	1	55	1	30	1	103	53	45		3	109	37	1	1				
47688	25	253	1	6	1		284	29	55	48	30		123	48	59		1	197		1	1				
47689	54	171	10	10	42		321	29	57	30			13	53			1	182		1	1	1	23		
47690	1	253	1	8	119		277	4	55	48	30		123	48	56		55	193		1	1				
47691	1	172	1	7	1		1	1	55	3	30	1	48	53	45		3	182	36	1	1				
47692	1	179	1	6	19		165	24	94	23	37		178	50			21	196		1	1			16	
47693	1	179	1	6	19		268	1	57	23	37		123	49			21	128		1	1			16	
47694	25	255	1	6	42		186	8	57	2	37	1	124	3		2	1	206		1	1				
47705	25	258	1	6	3		308	7	61	9	37		156	58			11	204		43	1				
47706	25	179	9	8	115		268	1	57	23	37		123	49			21	128		1	1			16	
47707		179	9	8	115		165	24	94	23	37		143	50			21	128		1	1			16	
47708		238	9	5	115		301	24	94	48			13	50			21	167		1	1	1		16	
47711*	3	172	1	7	1		32	110	55	23	61		147	48	41		56	178		1	1		1	24	
47714*	62	169	1	5	1		334	21	57	30			13	4			1	178		1	1	1			
47718	25	261	1	6	3		184	31	95	31	37	39	188	51			58	207		2	1				
47721*	1	263	1	8	3		184	29	78	31	37		123	51			25	207		1	1				
47722	1	263	1	8	3		184	29	78	31	37		123	51			25	207		1	1				
47723	1	183	2	6	97		302	29	57	57	37		117	60			46	127		52	1			10	
47726	1	169	1	7	1		157	10	55	1		1	13	33	44		3	1		1	1	1			
47743	1	253	1	8	3		152	1	55	3	30		123	48	41		25	197		1	1				
47762	1	238	9	5	115		301	24	94	48			13	50			21	167		1	1	1		16	
47771	1	179	9	8	115		165	24	94	23	37		143	50			21	128		1	1			16	

*Optional Accessories: See Page 59 & 60.
 #Basic Engine

Gasket Set: See Page 61.
 Contact your Kohler engines parts supplier for any specification not listed.

GENERATOR SET SPEC. NO. INDEX

GROUP TITLE	AIR INTAKE	BAFFLES & SHROUD	BREATHER & VENT	CAMSHAFT & VALVES	CARBURETOR	CRANKCASE	CRANKSHAFT	CYLINDER HEAD	DIPSTICK	EXHAUST	FLYWHEEL	FUEL PUMP	FUEL TANK	GOVERNOR	IGNITION	INSTRUMENT PANEL	OIL PAN	PISTON & ROD	RETRACTABLE START	HIGH TEMP. CUTOFF
	1	2	3	4	5	7	8	9	10	12	13	14	15	17	18	19	21	22	23	31
Group No.	1	2	3	4	5	7	8	9	10	12	13	14	15	17	18	19	21	22	23	31
PAGE NO.	15	17	19	20	21	27	28	28	30	42	43	45	46	49	51	54	55	57	57	58
SPEC. NO.	V A R I A T I O N N U M B E R																			
8748B	900	207	1	7	21	47	4	69	2	2	58	20		37	27		4	1		
8749A	1	193	1	7	5	33	4	1	2	2	58	28		5	27		4	1		
8750A	1	145	1	7	5	33	4	25	2	2	1	28		5	27		4	1		
8751A	1	193	1	7	5	33	4	1	2	2	58	28		5	27		4	1		
8752A	1	193	1	7	5	33	4	1	2	2	58	28		5	27		4	1		
8753A	1	62	1	7	40	84	4	1	1	2	58	28		5	27		4	1		
8754A	1	145	1	7	5	33	4	25	2	2	1	28		5	27		4	1		
8755A	1	145	1	7	5	33	4	25	2	2	1	28		5	27		4	1		
8755B	3	174	1	7	5	33	4	57	2	2	1	28		5	27		4	1		
8757A	1	193	1	7	5	33	4	1	2	2	58	28		5	27		4	1		
8758A	1	39	1	7	1	33	4	1	2		13	28		5	35	900	4	1	1	
8759A	1	145	1	7	5	33	4	25	2	2	1	28		5	27		4	1		
8760A	900	61	1	7	27	57	4	7	2	28	58	4		5	27		28	1		
8761A	1	62	1	7	5	84	4	1	1	2	58	28		5	27		4	1		
8762A	1	145	1	7	5	33	4	25	2	2	1	28		5	27		4	1		
8763A	1	145	1	7	5	33	4	25	2	2	1	28		5	27		4	1		
8763B	3	174	1	7	5	33	4	57	2	2	1	28		5	27		4	1		
8764A	1	79	1	7	1	33	4	1	2		82	28		5	35		4	1		
8765A	1	79	1	7	40	84	4	1	1	2	82	28		5	27		4	1		
8766A	900	61	1	7	21	57	4	7	2	28	58	28		5	27		28	1		
8767A	1	37	1	7	1	33	4	25	2		1	28		5	35	900	4	1		
8768A	15	62	1	7	5	33	4	7	2	28	58	35		5	27		28	1		
8769A	900	36	1	7	21	47	4	7	2	2	37	3		5	27		4	1		
8769B	900	207	1	7	21	47	4	69	2	2	58	20		37	27		4	1		
8770A	900	27	1	7	24	57	4	45	2	31	1	4		5	27		4	1		
8771A	1	79	1	7	1	33	4	1	2		82	28		5	35		4	1		
8772A	1	62	1	7	40	84	4	1	1	21	58	28		5	27		4	1		
8773A	1	62	1	7	40	84	4	1	1	24	58	28		5	27		4	1		
8774A	1	37	1	7	1	33	4	25	2		1	28		5	35	900	4	1		
8774B	1	175	1	7	1	33	4	57	2		1	28		5	35	900	4	1		
8775A	1	62	1	7	40	84	4	1	1	23	58	28		5	27		4	1		
8776A	900	61	1	7	20	57	4	7	2	2	58	28		5	27		4	1		
8777A	1	62	1	7	40	84	4	1	1	2	58	28		5	27		4	1		
8778A	13	62	1	7	48	47	4	1	2	2	58	28		5	27		4	1		
8779A	900	27	1	7	27	57	4	45	2	2	1	4		5	27		4	1		
8780A	900	27	1	7	27	57	4	45	2	2	1	4		5	27		4	1		
8781A	1	62	1	7	40	33	4	1	2	24	58	28		5	27		4	1		
8782A	1	193	1	7	5	33	4	1	2	2	58	28		5	27		4	1		
8783A	1	1	1	7	40	33	4	1	2	2	18	28		5	27		4	1		
8784A	900	27	1	7	21	57	4	45	2	2	1	20		5	27		4	1		
8784B	900	192	1	7	21	47	4	70	2	2	1	20		37	27		4	1		
8785A	1	62	1	7	40	84	4	1	1	2	58	28		5	27		4	1		
8786A	900	12	1	7	27	47	4	7	2	31	13	4		5	27		4	1	1	
8787A	1	193	1	7	5	33	4	1	2	2	58	28		5	27		4	1		
8788A	1	62	1	7	40	84	4	1	1	24	58	28		5	27		4	1		
8789A	900	61	1	7	21	57	4	7	2	28	58	28		5	27		28	1		
8790A	1	62	1	7	5	84	4	1	1	2	58	28		5	27		4	1		
8791A	1	145	1	7	5	33	4	25	2	2	1	28		5	27		4	1		
8792A	1	62	1	7	40	84	4	1	1	2	58	28		5	27		4	1		
8792B	1	198	1	7	5	84	4	61	1	2	58	28		5	27		4	1		
8793A	1	145	1	7	40	33	4	48	2	2	1	28		5	27		4	1		
8793B	1	174	1	7	40	33	4	57	2	2	1	28		5	27		4	1		
8794A	15	62	1	7	5	33	4	7	2	28	58	35		5	27		28	1		
8794B	15	230	1	7	5	33	4	61	2	28	58	39		5	27		28	1		
8795A	15	62	1	7	5	33	4	7	2	28	58	35		5	27		28	1		
8795B	15	230	1	7	5	33	4	61	2	28	58	39		5	27		28	1		
8796A	900	61	1	7	27	57	4	7	2	28	58	4		5	27		28	1		
8797A	900	61	1	7	27	57	4	7	2	28	58	4		5	27		28	1		
8798A	900	61	1	7	21	57	4	7	2	28	58	28		5	27		28	1		
8798B	900	207	1	7	21	47	4	69	2	2	28	58		37	27		28	1		

Gasket Set: See Page 61.

Contact your Kohler generator parts supplier for any specification not listed.

GENERATOR SET SPEC. NO. INDEX

GROUP TITLE	VARIATION NUMBER																																								
	1	2	3	4	5	7	8	9	10	12	13	14	15	17	18	19	21	22	23	31	AIR INTAKE	BAFFLES & SHROUD	BREATHER & VENT	CAMSHAFT & VALVES	CARBURETOR	CRANKCASE	CRANKSHAFT	CYLINDER HEAD	DIPSTICK	EXHAUST	FLYWHEEL	FUEL PUMP	FUEL TANK	GOVERNOR	IGNITION	INSTRUMENT PANEL	OIL PAN	PISTON & ROD	RETRACTABLE START	HIGH TEMP. CUTOUT	
<i>Group No.</i>	1	2	3	4	5	7	8	9	10	12	13	14	15	17	18	19	21	22	23	31																					
PAGE NO.	15	17	19	20	21	27	28	28	30	42	43	45	46	49	51	54	55	57	57	58																					
SPEC. NO.																																									
8799A	900	61	1	7	21	57	4	7	2	28	58	28		5	27																										
87100A	1	39	1	7	1	33	4	48	2	904	102	32	44	5	35	900	28	1																							
87100B	1	184	1	7	1	33	4	55	2	904	13	32	44	5	35	900	4	1	7																						
87101A	1	62	1	7	40	84	4	1	1	24	58	28		5	27																										
87102A	1	193	1	7	5	33	4	1	2	2	58	28		5	27																										
87103A	1	62	1	7	40	84	4	1	28	24	58	30		5	84																										
87104A	1	39	1	7	1	33	4	48	2	904	102	32	44	5	35	900	4	1	7																						
87104B	1	184	1	7	1	33	4	55	2	904	13	32	44	5	35	900	4	1	7																						
87105A	900	61	1	7	20	57	4	7	2	2	58	28		5	27																										
87106A	900	27	1	7	27	57	4	45	2	2	1	4		5	27																										
87107A	1	39	1	7	1	33	4	48	2	904	102	32	44	5	35	900	4	1	7																						
87107B	1	184	1	7	1	33	4	55	2	904	13	32	44	5	35	900	4	1	7																						
87108A	900	61	1	7	20	57	4	7	2	2	58	28		5	27																										
87109A	900	37	1	7	43	57	4	45	2	2	1	28		5	35	900	4	1	7																						
87110A	13	37	1	7	27	57	4	45	2		1	4		5	35	900	4	1	7																						
87111A	900	61	1	7	27	57	4	7	2	28	58	4		5	27																										
87112A	900	27	1	7	27	57	4	45	2	2	1	4		5	27																										
87113A	1	62	1	7	40	84	4	1	28	24	58	30		5	84																										
87114A	3	130	1	7	40	217	4	1	43	24	58	30		5	84																										
87114B	3	191	1	7	40	217	4	61	43	24	58	30		5	84																										
87115A	1	62	1	7	5	84	4	1	28	24	58	30		5	84																										
87116A	900	61	1	7	27	57	4	7	2	31	58	4		5	27																										
87117A	1	1	1	7	40	33	4	1	2	30	131	28		5	27																										
87118A	900	61	1	7	20	57	4	7	28	24	58	30		5	84																										
87119A	1	145	1	7	40	84	4	25	1	30	131	28		5	27																										
87119B	1	174	1	7	40	84	4	57	28	30	131	28		5	27																										
87120A	1	39	1	7	1	33	4	48	2	900	102	32	44	5	35	900	4	1	7																						
87121A	3	130	1	7	40	217	4	1	43	903	58	30		5	84																										
87121B	3	191	1	7	40	217	4	61	43	903	58	30		5	84																										
87122A	1	37	1	7	1	33	4	25	2		1	28		5	35	900	4	1	7																						
87123A	1	61	1	7	54	47	4	7	2	31	58	4		5	27																										
87124A	1	39	1	7	1	33	4	48	2	904	102	32	44	5	35	900	4	1	7																						
87125A	1	27	1	7	54	47	4	45	2	31	1	4		5	27																										
87126A	3	130	1	7	40	217	4	1	43	24	58	30		5	84																										
87127A	900	27	1	7	21	57	4	45	2	2	1	20		5	27																										
87127B	900	192	1	7	21	47	4	70	2	2	1	20		37	27																										
87128A	1	61	1	7	54	47	4	7	2	28	58	4		5	27																										
87128B	1	230	1	25	54	47	4	69	2	28	58	4		5	27																										
87129A	1	27	1	7	54	47	4	45	2	31	1	4		5	27																										
87130A	1	145	1	7	5	33	4	48	2	901	1	32	44	5	27																										
87131A	1	145	1	7	40	33	4	25	2	2	131	28		5	27																										
87132A	3	130	1	7	40	217	4	1	43	24	58	30		5	84																										
87132B	3	191	1	7	40	217	4	61	43	24	58	30		5	84																										
87133A	1	145	1	7	5	33	4	48	2	901	1	32	44	5	27																										
87134A	1	130	1	7	5	217	4	1	43	24	58	30		5	84																										
87135A	1	39	1	7	1	33	4	48	2	904	102	32	44	5	35	900	4	1	7																						
87135B	1	184	1	7	1	33	4	55	2	904	13	32	44	5	35	900	4	1	7																						
87136A	3	130	1	7	40	217	4	1	43	24	58	30		5	84																										
87136B	3	191	1	7	40	217	4	61	43	24	58	30		5	84																										
87137A	1	130	1	7	40	217	4	1	43	902	58	30		5	84																										
87137B	1	191	1	7	40	217	4	61	43	902	58	30		5	84																										
87138A	1	27	1	7	54	47	4	45	2	31	1	4		5	27																										
87138B	1	174	1	25	54	47	4	70	2	31	1	4		5	27																										
87139A	1	27	1	7	54	47	4	45	2	31	1	4																													

GENERATOR SET SPEC. NO. INDEX

GROUP TITLE	VARIATION NUMBER																											
	AIR INTAKE	BAFFLES & SHROUD	BREATHER & VENT	CAMSHAFT & VALVES	CARBURETOR	CRANKCASE	CRANKSHAFT	CYLINDER HEAD	DIPSTICK	EXHAUST	FLYWHEEL	FUEL PUMP	FUEL TANK	GOVERNOR	IGNITION	INSTRUMENT PANEL	OIL PAN	PISTON & ROD	RETRACTABLE START	HIGH TEMP. CUTOUT								
Group No.	1	2	3	4	5	6	7	8	9	10	12	13	14	15	17	18	19	21	22	23	31							
PAGE NO.	15	17	19	20	21	27	28	28	30	42	43	45	46	49	51	54	55	57	57	57	58							
SPEC. NO.																												
87322A	1	145	1	7	5	47	4	25	2	2	1	28		16	27		4	1										
87322B	1	174	1	7	5	47	4	57	2	2	1	28		16	27		4	1										
87323A	900	27	1	7	46	57	4	45	2	31	1	4		16	27		4	1										
87324A	900	27	1	7	45	57	4	45	2	31	1	4		16	27		4	1										
87325A	1	1	1	7	40	47	4	1	2	901	1	1	16	16	27		4	1										
87325B	1	206	1	7	40	47	4	61	2	901	1	1	16	16	27		4	1										
87325C	3	206	1	7	40	47	4	61	2	901	158	1	16	16	27		4	1										
87326A	900	92	1	7	27	57	4	7	2	31	1	4		16	35		4	1										
87327A	1	96	1	7	1	47	4	1	2	900	102	1	20	16	35	900	4	1		7								
87328A	1	39	1	7	1	47	4	1	2	900	102	1	20	16	35	900	4	1		7								
87329A	1	145	1	7	5	47	4	25	2	2	1	28		16	27		4	1										
87330A	1	1	1	7	5	47	4	1	2	901	1	1	20	16	27		4	1										
87330B	1	206	1	7	5	47	4	61	2	901	1	1	20	16	27		4	1										
87331A	1	39	1	7	1	47	4	25	2	2	102	28		16	35	900	4	1		7								
87331B	1	184	1	7	1	47	4	57	2	2	102	28		16	35	900	4	1		7								
87332A	1	62	1	7	40	47	4	1	2	20	58	28		16	27		4	1										
87333A	900	61	1	7	46	57	4	7	2	31	58	4		16	27		4	1										
87334A	900	61	1	7	44	57	4	7	2	2	58	20		16	27		4	1										
87334B	900	207	1	7	44	47	4	69	2	2	58	20		38	27		4	1										
87335A	1	145	1	7	40	47	4	25	2	2	1	28		16	27		4	1										
87335B	1	174	1	7	40	47	4	57	2	2	1	28		16	27		4	1										
87335C	3	174	1	7	40	47	4	57	2	2	158	28		16	27		4	1										
87336A	900	27	1	7	20	57	4	7	2	2	1	20		16	27		4	1										
87336B	900	192	1	7	20	47	4	70	2	2	1	20		16	27		4	1										
87336C	900	192	1	7	20	47	4	70	2	2	158	20		38	27		4	1										
87337A	900	62	1	7	45	57	4	7	2	31	58	4		16	27		4	1										
87338A	900	27	1	7	46	57	4	45	2	31	1	4		16	27		4	1										
87339A	1	96	1	7	1	47	4	1	2	900	102	1	20	16	35	900	4	1		7								
87340A	900	27	1	7	46	57	4	45	2	31	1	4		16	27		4	1										
87341A	1	1	1	7	40	47	4	1	2	901	1	1	16	16	27		4	1										
87342A	1	61	1	7	54	47	4	7	2	2	58	4		16	27		28	1										
87342B	3	207	1	25	54	47	4	69	2	2	58	4		16	27		28	1										
87343A	1	96	1	7	1	47	4	1	2	900	102	1	20	16	35	900	4	1		7								
87344A	1	96	1	7	1	47	4	1	2	900	102	1	20	16	35	900	4	1		7								
87345A	1	96	1	7	1	47	4	1	2	900	102	1	20	16	35	900	4	1		7								
87345B	1	211	1	7	1	47	4	61	2	900	102	1	20	16	35	900	4	1		7								
87345C	3	211	1	7	1	47	4	61	2	900	160	1	20	16	35	900	4	1		7								
87346A	3	61	1	7	54	47	4	7	2	31	58	4		16	27		4	1										
87347A	1	1	1	7	40	47	4	1	2	901	1	1	16	16	27		4	1										
87347B	1	206	1	7	40	47	4	61	2	901	1	1	16	16	27		4	1										
87347C	3	206	1	7	40	47	4	61	2	901	158	1	16	16	27		4	1										
87348A	1	27	1	7	54	47	4	45	2	31	1	4		16	27		4	1										
87348B	1	174	1	25	54	47	4	70	2	31	1	4		16	27		4	1										
87348C	3	174	1	25	54	47	4	70	2	31	158	4		16	27		4	1										
87349A	3	61	1	7	54	47	4	7	2	31	58	4		16	27		4	1										
87349B	1	207	1	25	54	47	4	69	2	31	58	4		16	27		4	1										
87350A	1	27	1	7	54	47	4	45	2	31	1	4		16	27		4	1										
87350B	1	174	1	25	54	47	4	70	2	31	1	4		16	27		4	1										
87351A	3	61	1	7	54	47	4	7	2	31	58	4		16	27		4	1										
87352A	1	27	1	7	54	47	4	45	2	31	1	4		16	27		4	1										
87352B	1	174	1	25	54	47	4	70	2	31	1	4		16	27		4	1										
87353A	1	27	1	7	54	47	4	45	2	31	1	4		16	27		4	1										
87353B	1	174	1	25	54	47	4	70	2	31	1	4		16	27		4	1										
87353C	3	174	1	25	54	47	4	70	2	31	158	4		16	27		4	1										
87354A	1	61	1	7	54	47	4	7	2	2	58	4		16	27		28	1										
87354B	3	207	1	25	54	47	4	69	2	2	58	4		16	27		28	1										
87355A	1	96	1	7	1	47	4	1	2	900	102	1	20	16	35	900	4	1		7								
87355B	1	211	1	7	1	47	4	61	2	900	102	1	20	16	35	900	4	1		7								
87356B	1	174	1	7	64	47	4	70	2	31	1	4		16	27		4	1										
87356C	3	174	1	7	64	47	4	70	2	31	158	4		16	27		4	1										

Gasket Set: See Page 61.

Contact your Kohler generator parts supplier for any specification not listed.

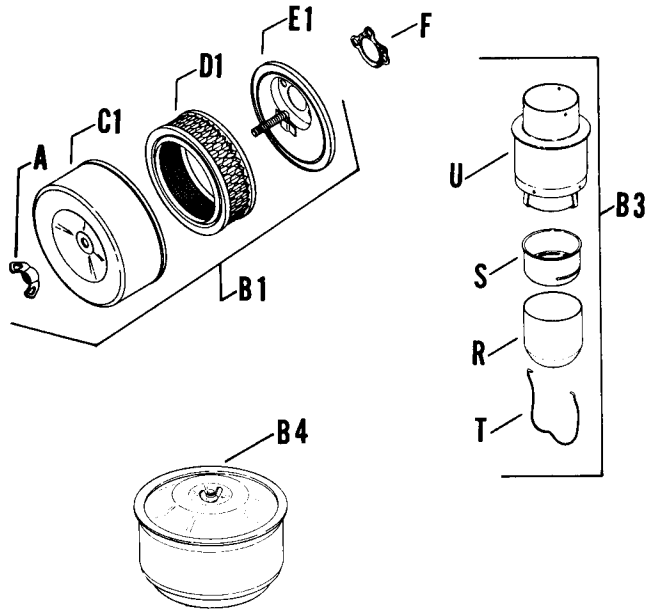
GENERATOR SET SPEC. NO. INDEX

GROUP TITLE	AIR INTAKE	BAFFLES & SHROUD	BREATHER & VENT	CAMSHAFT & VALVES	CARBURETOR	CRANKCASE	CRANKSHAFT	CYLINDER HEAD	DIPSTICK	EXHAUST	FLYWHEEL	FUEL PUMP	FUEL TANK	GOVERNOR	IGNITION	INSTRUMENT PANEL	OIL PAN	PISTON & ROD	RETRACTABLE START	HIGH TEMP. CUTOFF
<i>Group No.</i>	1	2	3	4	5	7	8	9	10	12	13	14	15	17	18	19	21	22	23	31
PAGE NO.	15	17	19	20	21	27	28	28	30	42	43	45	46	49	51	54	55	57	57	58
SPEC. NO.	V A R I A T I O N N U M B E R																			
87357B	1	211	1	7	1	47	4	61	2	900	102	1	20	16	35	900	4	1	7	
87357C	3	211	1	7	1	47	4	61	2	900	160	1	20	16	35	900	4	1	7	
87358B	1	211	1	7	1	47	4	61	2	900	102	1	20	16	35	900	4	1	7	
87358C	3	211	1	7	1	47	4	61	2	900	160	1	20	16	35	900	4	1	7	
87359B	1	211	1	7	1	47	4	61	2	904	102	1	20	16	35	900	4	1	7	
87359C	3	211	1	7	1	47	4	61	2	904	160	1	20	16	35	900	4	1	7	
87360B	1	184	1	7	1	47	4	57	2		102	28		16	35	900	4	1	7	
87360C	3	184	1	7	1	47	4	57	2		160	28		16	35	900	4	1	7	
87361B	1	198	1	7	40	47	4	61	2	2	58	28		16	27		4	1		
87362B	1	174	1	7	64	47	4	70	2	31	1	4		16	27		4	1		
87362C	3	174	1	7	64	47	4	70	2	31	158	4		16	27		4	1		
87363B	1	206	1	7	5	47	4	61	2	901	1	1	20	16	27		4	1		
87363C	1	206	1	7	5	47	4	61	2	901	158	1	20	16	27		4	1		
87364B	15	230	1	7	5	47	4	61	2	28	58	39		16	27		28	1		
87365B	1	96	1	7	1	47	4	1	2	900	102	1	20	16	35	900	4	1	7	
87365C	3	211	1	7	1	47	4	61	2	900	160	1	20	16	35	900	4	1	7	
87366B	1	174	1	7	5	47	4	57	2	2	1	28		16	27		4	1		
87366C	3	174	1	7	5	47	4	57	2	2	158	28		16	27		4	1		
87367B	900	192	1	7	20	47	4	70	2	2	1	20		16	27		4	1		
87367C	900	192	1	7	20	47	4	70	2	2	158	20		38	27		4	1		
87368B	900	192	1	7	44	47	4	70	2	2	1	20		16	27		4	1		
87368C	900	192	1	7	44	47	4	70	2	2	158	20		38	27		4	1		
87369B	1	207	1	25	54	47	4	69	2	31	58	4		16	27		4	1		
87370B	1	211	1	7	1	47	4	61	2	900	102	1	20	16	35	900	4	1	7	
87370C	3	211	1	7	1	47	4	61	2	900	160	1	20	16	35	900	4	1	7	
87371C	900	192	1	7	88	47	4	70	2	2	158	20		38	27		4	1		

Gasket Set: See Page 61.

Contact your Kohler generator parts supplier for any specification not listed.

AIR INTAKE

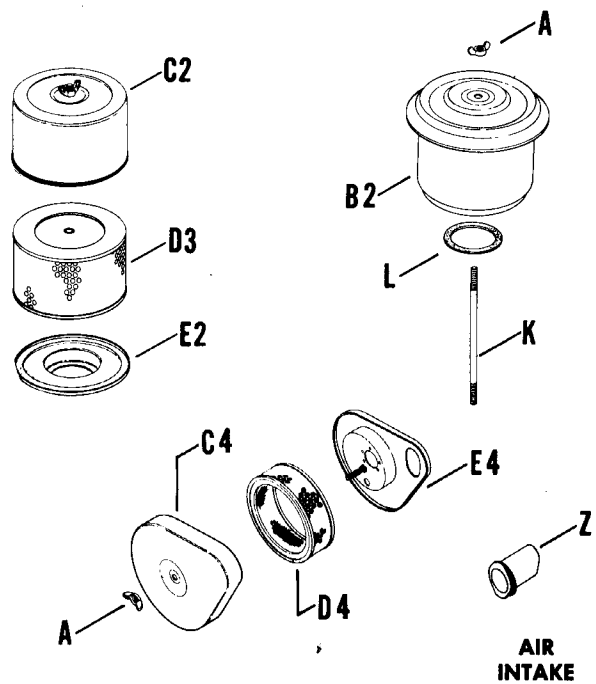


Index Letter	Description Variation Number	Part Number
--------------	------------------------------	-------------

Use stock of original part number before ordering replacement.

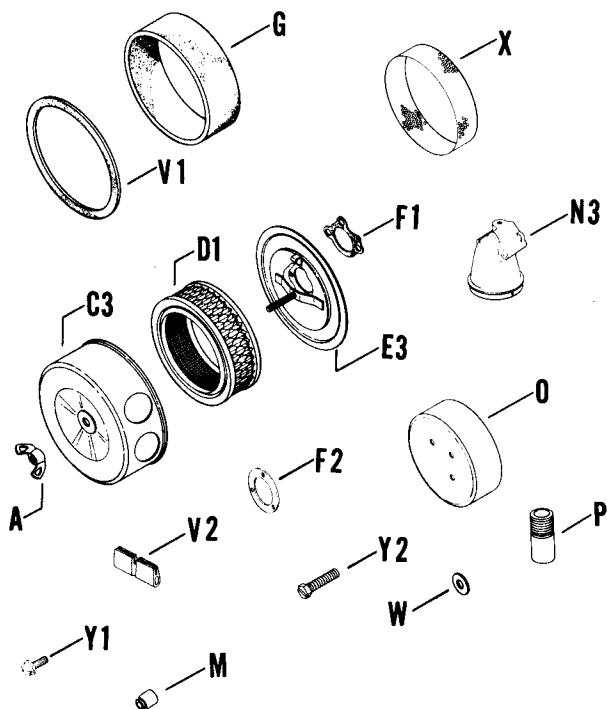
A	Nut, wing 1, 3, 6, 7, 8, 9, 10, 14, 16, 20, 21, 25, 38, 45, 46, 50, 52, 53, 54, 64	X-276-7
B1	Cleaner, air - assembly (Includes A, C1, D1, & E1) 1, 3, 14, 25	A-235100
B2	Cleaner, air 6	151834
B3	Cleaner, air - assembly (Includes R, S, T, & U) 15, 42	A-230538
B4	Cleaner, air 17, 900	272461
C1	Cover, cleaner 1, 3, 8, 9, 10, 14, 20, 21, 25, 52	235102
C2	Cover, cleaner 7, 16, 54	277142
C3	Cover, cleaner 38	237848
C4	Cover, cleaner 45, 64	47 082 03
	46, 50, 53	47 082 01
D1	Element, filter 1, 3, 8, 10, 14, 20, 21, 25, 38, 52	235116
D2	Element, filter 4	235308
D3	Element, filter 7, 16, 54	277138

Index Letter	Description Variation Number	Part Number
D4	Element, filter 45, 64	47 083 03
	46, 50, 53	47 083 01
E1	Base, cleaner 1, 3, 9, 10, 14, 21, 25, 52	235101
E2	Base, cleaner 7, 8, 16, 20, 54	235123
E3	Base, cleaner 38	237424
E4	Base, cleaner 45, 64	47 094 08
	46	47 094 06
	50	47 094 07
	53	47 094 11
F1	Gasket, air horn ALL (except 11, 45, 46, 50, 53, 54)	275341
F2	Gasket 45, 46, 50, 53, 64	47 041 02
G	Precleaner, element (May be used with filter element 235116)	237421
	Precleaner, element (May be used with filter element 277138)	277593
H	Cover, heat duct 4	235306
J	Duct, heat 4	235307
K	Stud, cleaner 1/4 - 20 x 6-5/8 6, 30	210186-1
	Stud, cleaner 1/4 - 20 x 7-3/4 7, 16, 54	280151
	Stud, cleaner 1/4 - 20 x 4-7/8 8, 20	235156



AIR INTAKE

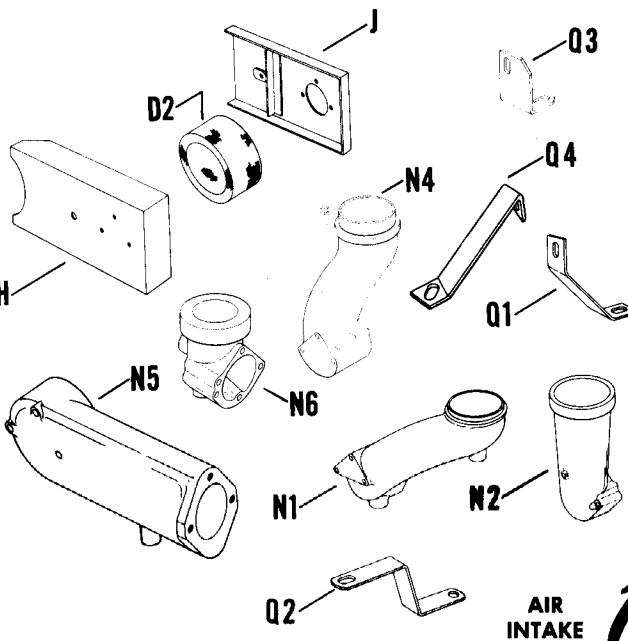
1
AIR INTAKE



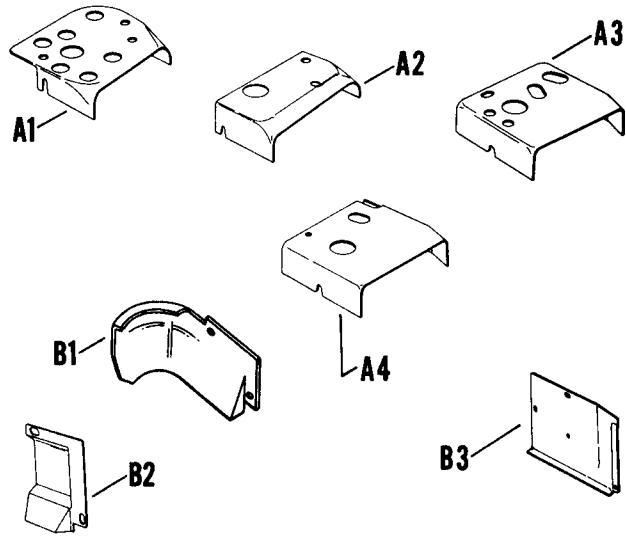
Index Letter	Description Variation Number	Part Number
--------------	------------------------------	-------------

L	Gasket, cleaner 6, 7, 8, 16, 20, 54	AC-1787
M	Spacer 4	X-400-56
	11	X-400-51
N1	Elbow, air cleaner 6, 8, 16, 20, 24, 30, 32	235167
	Elbow, air cleaner (Includes nipple) 7, 54	236229
N2	Elbow, air cleaner 13, 76, 900	275259
N3	Elbow, air cleaner 15, 42	235553
N4	Elbow, air cleaner 17	275714
N5	Elbow, air cleaner 22, 52	236969
N6	Elbow, air cleaner 62	277340
O	Shield, air intake 11	236248
P	Nipple 1/4 x 1-1/8 7	X-226-2
Q1	Brace, air cleaner 6, 7, 8, 16, 20, 24, 30, 32, 54	235339
Q2	Brace, air cleaner 15, 42	235539

Index Letter	Description Variation Number	Part Number
Q3	Brace, air cleaner (Discontinued--Not Available) 17	235578
Q4	Brace, air cleaner 22, 52	236968
R	Cup, air cleaner 15, 42	231414
S	Baffle, air cleaner 15, 42	231415
T	Fastener, oil cup 15, 42	231416
U	Body, upper 15, 42	232561
V1	Seal 38	237423
V2	Seal 45, 46, 50, 53, 64	47 032 03
W	Washer (Replaced by X-276-7) 9	A-536
X	Screen, cylinder (Discontinued--Not Available) 9	235992
Y1	F.H.M. #10 - 32 x 5/16 (3) 1, 3, 9, 10, 14, 21, 25, 38	X-167-2
Y2	Screw, hex, hd. #10 - 32 x 1/2 (3) 45, 46, 50	X-67-65
Z	Tube 45, 46, 50, 53, 64	47 134 02



2 BAFFLES AND SHROUD



Index Letter	Description Variation Number	Part Number
--------------	------------------------------	-------------

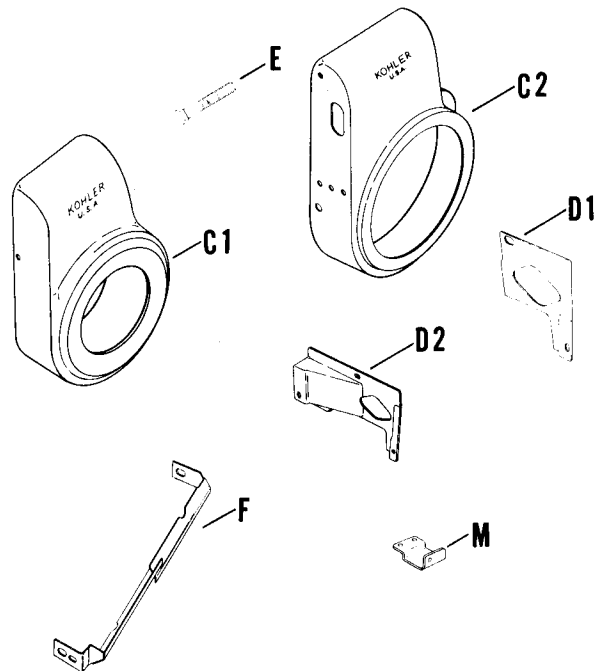
Use stock of original part number before ordering replacement.

A1	Baffle, head 1, 2, 3, 6, 7, 8, 12, 13, 14, 15, 17, 18, 19, 20, 22, 24, 36, 41, 43, 45, 48, 58, 61, 62, 66, 78, 79, 89, 91, 92, 93, 98, 106, 109, 130, 193	235049
	10, 28, 55	235367
	16, 56, 96	235955
	191, 198, 206, 207, 211, 221, 230, 248, 258	237678
	Baffle, head (Use 237520 after serial no. 3184999) (Use 237677 on spec. suffix "D" & later) 5, 23, 69, 128, 154	235049
	Baffle, head (Use 237520 after engine serial no. 3184999) 27, 37, 39	235049
	Baffle, head (Use 235049 on "A" & "B" spec suffix) 68, 233	236915
	A2	
	54, 82, 86, 97, 99, 101, 102, 103, 105, 113, 115, 122, 131, 133, 135, 136, 138, 140, 141, 148, 150, 197	237520
	166, 168, 169, 171, 172, 174, 175, 177, 179, 182, 183, 184, 185, 186, 192, 195, 210, 215, 217, 219, 220, 227, 238, 249, 253, 255, 261, 263	237677

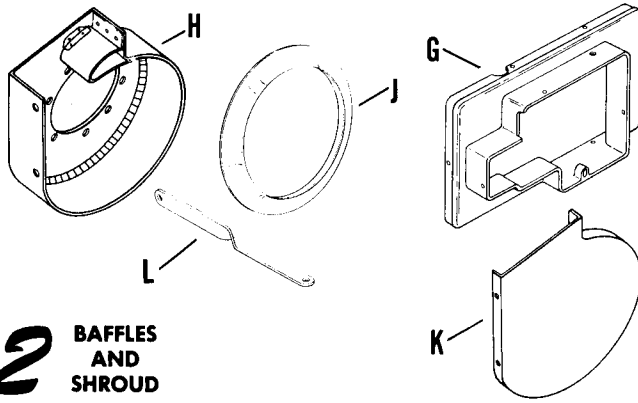
Index Letter	Description Variation Number	Part Number	
	Baffle, head (Use 237677 on engine spec suffix "D" & later) 105	237520	
	Baffle, head Use 235049 prior to serial no. 235049 prior to serial no. 3185000) 111, 118, 134, 145, 151, 152, 153, 154, 162	237520	
A3	Baffle, head 225, 231	47 124 03	
A4	Baffle, head 228, 237	47 124 09	
B1	Baffle, cylinder 1, 2, 3, 6, 7, 8, 10, 12, 13, 14, 15, 16, 17, 18, 19, 20, 22, 24, 27, 28, 36, 37, 39, 41, 43, 45, 48, 55, 56, 58, 61, 62, 66, 78, 79, 89, 91, 92, 93, 96, 98, 106, 109, 130, 135, 174, 175, 177, 184, 191, 192, 193, 198, 206, 207, 211, 219, 221, 230, 233, 248	235054	
	Baffle, cylinder (Use 236676 after serial no. 3184999) 5, 69, 128, 154, 258	235054	
	B2		
	Baffle, cylinder (Use 235054 on "A" & "B" spec suffix) 23, 54, 68, 82, 86, 97, 99, 101, 102, 103, 105, 113, 115, 122, 131, 133, 136, 138, 140, 141, 148, 150, 166, 168, 169, 171, 172, 179, 182, 183, 185, 186, 195, 196, 197, 210, 215, 217, 220, 227, 238, 249, 253, 255, 261, 263	236676	
	Baffle, cylinder (Use 235054 prior to serial no. 3185000) 111, 118, 145, 151, 152, 153, 154, 162	236676	
	B3		
	Baffle, cylinder 225, 228, 231, 237	47 063 05	
	C1	Housing, blower 1, 2, 5, 6, 27, 145, 151, 168, 174, 192, 206	235822
		3	235823
		7	235088
8		236407	
12, 101, 152, 169		235693	
13, 37, 92, 109, 153, 175		235934	
17, 24, 150		235560	
19, 89, 118, 172, 219		237047	
20, 154, 210, 227		236221	
23, 39, 96, 171, 184, 211		236289	
28	235832		
36, 61, 62, 79, 130, 191, 193, 198, 207, 230	235561		
41, 162, 185	236541		
43, 68, 86, 115, 166	236865		
45, 102, 111, 113, 135, 183	236680		

Index Letter	Description Variation Number	Part Number
	48	236760
	54	236690
	55	236802
	66, 91, 98, 105, 186, 248	237110
	69, 182	236797
	78	236995
	82, 179	236985
	93	236788
	97	237096
	99, 106, 133	237106
	103	237275
	128	235493
	131, 196	237525
	136	236843
	138	237519
	140, 215	237542
	141, 217	237627
	148, 177	237702
	197, 220	237897
	221	237890
	Housing, blower (Replaced by 235822)	
	14	235961
	22	236230
	Housing, blower (Replaced by 237897)	
	15	235981
	Housing, blower (Replaced by 236407)	
	16, 195	235951
	Housing, blower (Replaced by 236760)	
	18	235999
	Housing, blower (Replaced by 236221)	
	56	237061
	Housing, blower (Discontinued--Not Available)	
	58	236603
C2	Housing, blower 225, 237	47 027 07
	228, 231	47 027 05
	233	47 027 08
	238	47 027 13
	249	47 027 15
	253	47 027 19

BAFFLES AND SHROUD



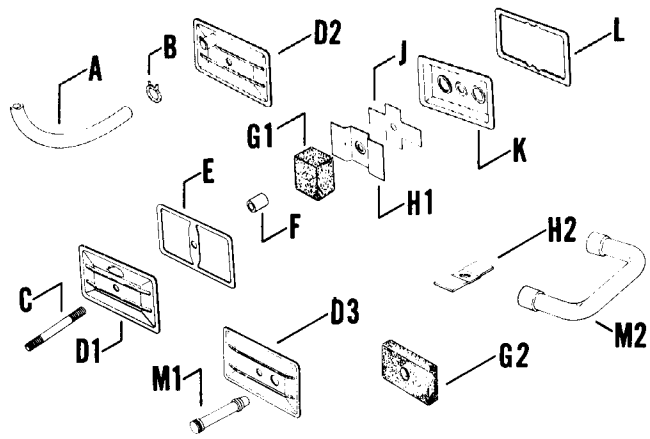
Index Letter	Description Variation Number	Part Number
	255, 258	47 027 18
	261	47 027 27
	263	47 027 28
D1	Baffle, side ALL (except 27, 36, 61, 192, 207, 225, 228, 237)	235652
	Baffle, side 27, 36, 61, 192, 207	236272
D2	Baffle, side 225, 228, 231, 237	47 063 01
E	Screw, hex. hd. 1/4 - 20 x 7/8 (2) 3	X-465-1
	Screw, hex. hd. 1/4 - 20 x 7/8 (4) 45, 93, 102	X-465-1
	Screw, hex. hd. 1/4 - 20, 5/8 (4) 3	X-465-2
	Screw, hex. hd. 1/4 - 20 x 5/8 (2) 45, 93	X-465-2
	Screw, hex. hd. 1/4 - 20 x 5/8 (3) 102	X-465-2
	Screw, hex. hd. 1/4 - 20 x 1 (Use after serial no. 7158393) 225, 231, 237	47 086 02
F	Deflector (Discontinued--Not Available)	
	54	236687
	Deflector 82, 179	236847



2 BAFFLES AND SHROUD

Index Letter	Description Variation Number	Part Number
G	Duct, air 225, 231, 237	47 281 06
	Duct, air 228	47 281 04
H	Scroll 36	236389
	61, 62, 79, 193, 198, 207, 230	236717
	130, 191	237475
J	Baffle, air 36, 61, 62, 79, 130, 191, 193, 198, 207, 230	236390
	Cover, scroll 36, 61, 62, 193, 198, 207, 230	275824
	79	275827
	130, 191	237476
L	Bracket, scroll support 36	236392
	61, 79, 193, 198, 207	236718
M	Bracket, duct support 225, 228, 231, 237	47 126 08

3 BREATHER AND VENT

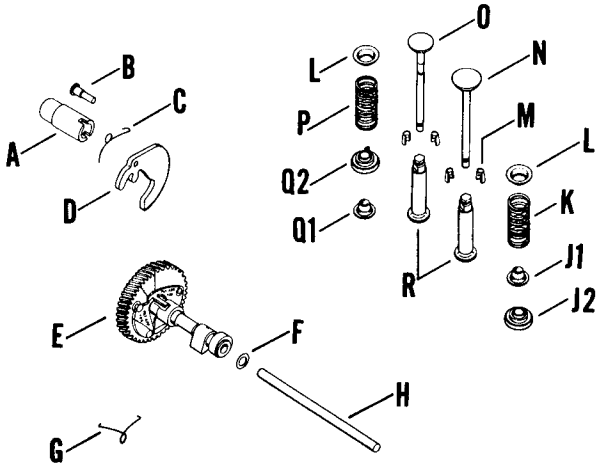


Index Letter	Description Variation Number	Part Number
--------------	------------------------------	-------------

Use stock or original part number before ordering replacement.

A	Hose (Replaced by X-484-4) 1/2 I.D. x 3/4 O.D. x 5-1/4	X-484-15
	3	
B	Hose 1/4 I.D. x 3-1/8	X-484-2
	10	
C	Clamp, hose 3, 9	X-426-3
	9	
D1	Clamp, hose 9	X-426-9
	2	
D2	Stud, valve cover 1, 3, 5, 8, 9, 10	275220
	2	
D3	2	235551
	3	
E	Cover, valve (Standard) 1, 2	275143
	2	
F	Cover, valve (Closed) 3, 5, 9, 10	275839
	10	
G1	Cover, valve (Closed) 8	47 096 01
	8	
G2	Gasket, valve cover 1, 2, 3, 5, 8, 9, 10	275144
	10	
H1	Seal, breather 1, 2, 3, 5, 8, 9, 10	231032
	10	
H2	Filter 1, 2, 3, 5, 9, 10	235118
	10	
J	Filter, breather 8	47 050 01
	8	
K	Baffle 1, 2, 3, 5, 9, 10	235117
	10	
L	Stop, breather read 8	270146
	8	
M1	Reed, breather 1, 2, 3, 5, 8, 9, 10	235047
	10	
M2	Plate, breather 1, 2, 3, 5, 8, 9, 10	235631
	10	
A	Gasket 1, 2, 3, 5, 8, 9, 10	235048
	10	
B	Hose, breather 8	47 326 01
	8	
C	Hose, breather 9	47 326 02
	9	

4 CAMSHAFT AND VALVES



Index Letter	Description Variation Number	Part Number
K	Spring, intake valve 5, 6, 7, 8, 15, 23, 25	235010
	9, 10, 11	235168
L	Retainer, spring upper (2) ALL	235011
	Kit, retainer (2) ALL	41 755 10
N	Valve, intake 5, 6, 7, 8, 15, 23, 25	235008
	Valve, intake (Stellite) 9, 10, 11	235582
O	Valve, exhaust 5, 6	235826
	Valve, exhaust (Stellite) 7, 8, 9, 10, 11, 15, 23, 25	235838
P	Spring, exhaust valve 5, 6, 25	235010
	7, 8, 9, 10, 11, 15, 23	235168
Q1	Retainer, exhaust valve spring 5, 6, 25	230011
Q2	Rotator 7, 8, 9, 10, 11, 15, 23	230020
R	Tappet (2) 5, 6, 7, 8, 9, 10, 11, 15, 23, 25	D-235327

Index Letter	Description Variation Number	Part Number
--------------	---------------------------------	-------------

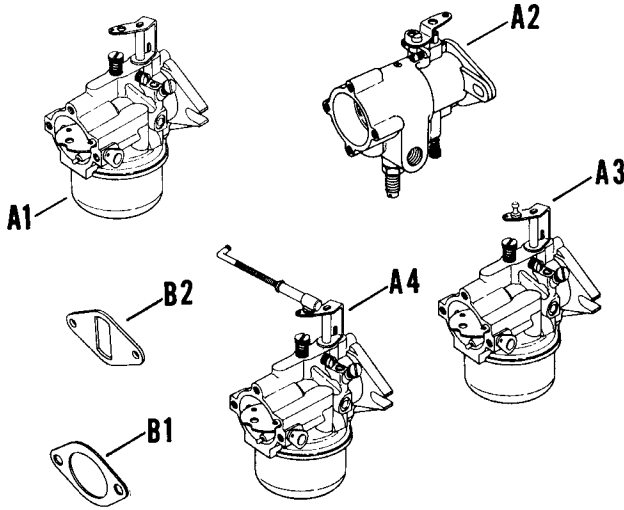
Use stock or original part number before ordering replacement.

Parts identified by Index Letters A thru D were used on engines with spec suffix "A"

AUTOMATIC COMPRESSION RELEASE CAMSHAFTS
Parts "A" thru "D" are the only servicable parts for the old style camshaft assembly (A-235857). If replacement of a complete camshaft is necessary, the Automatic Compression Release Camshaft H-235646 should be used.

A	Cam, ignition (Magneto) or Cam, ignition (Battery)	235188 235690
B	Pin, flyweight (2)	230080
C	Spring, governor (2)	275267
D	Flyweight, spark advance (2)	230087
E	NOTE: A-235857 camshaft assembly no longer available. Use H-235646 camshaft.	
	Camshaft, assembly 5, 6, 7, 8, 9, 10, 11, 25	J-235646
	Camshaft (Replaced by J-237562) 15	G-237562
	Camshaft (Replaced by J-237664) 23	H-237664
F	Spacer, camshaft .005 (A.R.) ALL	275066
	Spacer, camshaft .010 (A.R.) ALL	275067
G	Spring, actuating 5, 6, 7, 8, 9, 10, 11, 25	47 089 01
H	Pin, camshaft ALL	235053
	Retainer, intake valve spring 5, 6, 7, 8, 15, 23, 25	230011
J2	Rotator, intake valve 9, 10, 11	230020

5 CARBURETOR



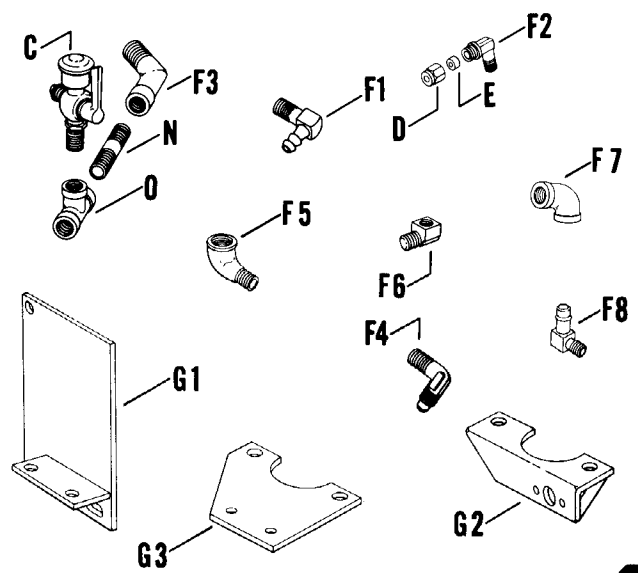
Index Letter	Description Variation Number	Part Number
--------------	------------------------------	-------------

Use stock of original part number before ordering replacement.

A1	Carburetor - assembly (Replaced by 47 053 14) 1, 8, 22, 24, 27, 37, 42, 43, 45, 46, 53	A-237003
	Carburetor - assembly (Replaced by 47 053 13) 3, 10, 15, 18, 19, 26, 50, 57, 62	A-237772
	Carburetor - assembly 5, 20, 21, 40, 44, 48, 88	A-236271
	16, 81	A-235580
	77	47 053 02
	Carburetor - assembly (Replaced by 47 053 12) 9, 12, 13, 69, 74	E-235058
	Carburetor - assembly (Replaced by 47 053 15) 14	47 053 04
	Carburetor - assembly (Replaced by 47 053 16) 17, 33	47 053 05
A2	Carburetor - assembly (Replaced by B-237199) 29, 47, 54, 64	A-237199
A3	Carburetor - assembly 82	47 053 07
	84, 106, 125	47 053 08
	98	47 053 24

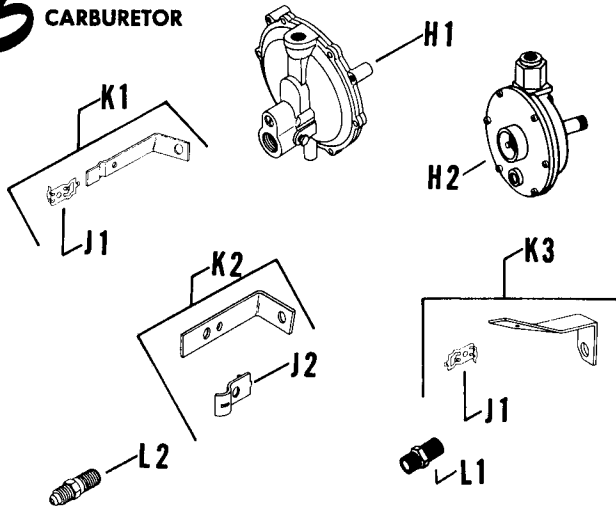
Index Letter	Description Variation Number	Part Number
--------------	------------------------------	-------------

A4	Carburetor - assembly 91, 95	47 053 13
	115	47 053 29
	119	47 053 32
B1	Gasket, carburetor 1, 3, 5, 8, 9, 10, 12, 13, 14, 15, 16, 17, 18, 19, 20, 21, 22, 24, 26, 27, 29, 33, 37, 40, 42, 43, 44, 45, 46, 47, 48, 50, 53, 54, 57, 62, 64, 69, 74, 81, 88, 97, 115, 119	271030
B2	Gasket, carburetor 77, 82, 84, 95, 98, 106, 125	47 049 01
C	Cup, fuel 16	X-376
D	Nut (Copper fuel line only) 9, 13, 22, 45	220786
	Nut (2) 20, 21, 24, 27, 37, 43, 44, 46, 88	220786
E	Sleeve (Copper fuel line only) 9, 13, 22, 45	
	Sleeve (2) 20, 21, 24, 27, 37, 43, 44, 46, 88	220547
F1	Elbow (Copper fuel line use 231509) 1, 3, 5, 8, 10, 14, 15, 16, 17, 18, 19, 20, 21, 24, 26, 33, 40, 42, 43, 44, 48, 50, 53, 62, 69, 74, 77, 81, 82, 88, 91, 95, 97, 98, 106, 115, 119, 125	X-391-1
F2	Elbow 9, 13, 22	231510
F3	Elbow 16	X-274-8
	54	X-274-9
F4	Elbow 20, 21, 27, 43, 44, 46, 48	X-447-5
	29	X-447-6



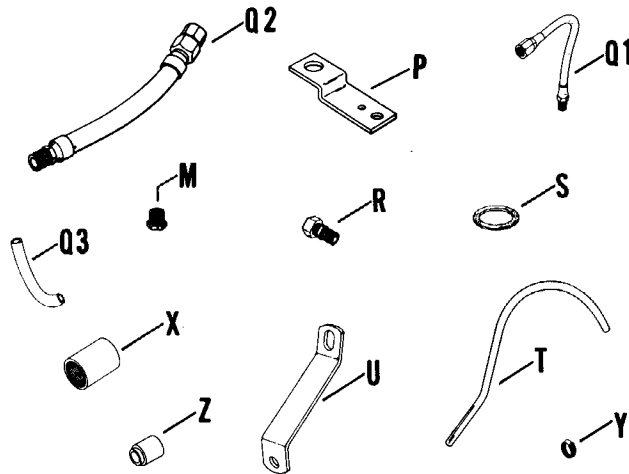
CARBURETOR **5**

5 CARBURETOR



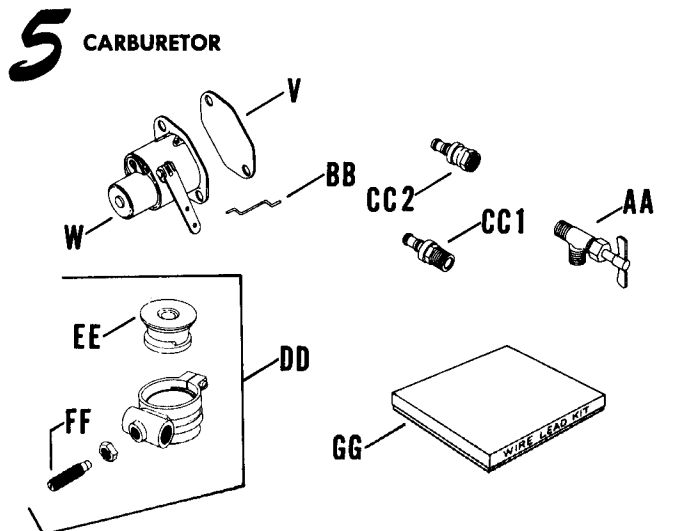
Index Letter	Description Variation Number	Part Number
F5	Elbow, street 24, 37, 45, 88	S-404
	Elbow, street 3/8 64	X-211-8
F6	Elbow 29, 47	X-555-1
F7	Elbow, street 1/4 64	X-215-9
F8	Elbow, hose 84	X-391-12
G1	Bracket, regulator 20, 21, 24, 27, 37, 43, 44, 45, 46, 54, 64, 88	231471
G2	Bracket, regulator 29	236449
G3	Bracket, regulator 48	235755
H1	Regulator 20, 21, 24, 27, 37, 43, 44, 45, 46, 48, 54, 64, 88	B-230695
H2	Regulator 29	B-220578
J1	Clip, choke cable 3, 9, 12, 13, 15, 17, 19, 33, 50, 57, 62, 69, 77	235603
	26	X-689-1
J2	Clip, choke cable 18	235778
K1	Bracket, choke - assembly (Includes 235603 clip) 3, 9, 12, 17, 19, 33, 57, 62, 69, 91, 115	A-236919
	13, 15, 50, 77	A-236918
K2	Bracket, choke - assembly (Includes 235778 clip) 18, 97	A-236921
K3	Bracket, choke - assembly (Includes X-689-1 clip) 26	A236920

Index Letter	Description Variation Number	Part Number
L1	Connector (3) 20, 27, 43	231509
	Connector (2) 21, 24	231509
	37, 44, 45, 46, 57, 88	231509
L2	Connector 54	X-296-2
M	Bushing, reducer 3/8 I.D. x 7/8 O.D. 20, 21, 24, 27, 37, 43, 44, 46, 48, 88	X-202-28
	Bushing, reducer 1/4 I.D. x 3/4 O.D. 20, 21, 24, 27, 37, 43, 44, 46, 88	X-202-7
	Bushing, reducer 1/4 I.D. x 1/2 O.D. 27, 45	X-202-12
	Bushing, reducer 3/8 I.D. x 3/4 O.D. 45	X-202-31
	Bushing, reducer 1/4 I.D. x 3/8 O.D. 54, 64	X-202-30
N	Nipple 1/8 x 3/4 16	X-217-11
	20, 21, 24, 27, 37, 43, 44, 46, 88	X-217-6
	Nipple 3/8 x 1 24, 37, 45, 88	X-204-12
	Nipple, pipe 64	X-204-6
	Pipe 1/4 x 7/8 64	X-220-5
O	Tee, pipe 16	X-203-10
P	Extension, throttle lever 33	236759
Q1	Hose, flexible 12-1/4 20, 21, 27, 43, 44, 46	235171
	Hose, flexible 12-3/16 24, 45, 64, 88	241041
	Hose, flexible 24 37	X-504-14
	48	237265



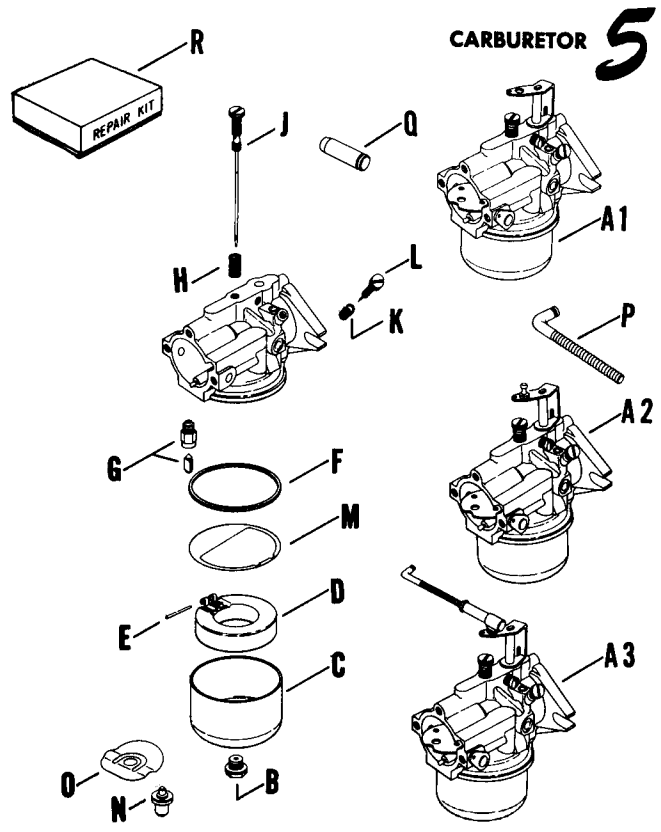
CARBURETOR

Index Letter	Description Variation Number	Part Number
Q2	Hose, flexible 9 29	247055
Q3	Hose, flexible 6-1/2 54	X-409-5
R	Screw, hex. hd. 1/4 - 20 x 1-1/4 20, 21, 24, 27, 37, 43, 44, 45, 46, 54, 64, 88	X-776-1
	Screw, sltd. hd. 5/16 - 18 x 1 ALL	X-770-1
S	Gasket 20, 21, 24, 27, 37, 43, 44, 45, 46, 88	270550
T	Line, idle 14-13/16 copper 20, 21, 24, 27, 37, 43, 44, 45, 46, 88	236274
U	Brace, regulator 48	235593
V	Gasket, choke 5, 20, 21, 40, 44, 48, 88	240285
W	Choke, automatic 5, 20, 21, 44, 48, 88	230426
	Chock, automatic 40	238095
X	Coupling 1/8 (2) 20, 21, 24, 27, 37, 43, 44, 46, 88	X-216-24
	Coupling 3/4 45	X-216-25
Y	Clamp, hose (2) 54	X-426-3
Z	Spacer (2) 48	X-400-36



Index Letter	Description Variation Number	Part Number
AA	Valve, gas 20, 21, 24, 27, 37, 43, 44, 45, 46, 88	221282
BB	Linkage, choke 5, 20, 21, 40, 44, 48, 88	235466
CC1	Fitting, hose 54	237813

Index Letter	Description Variation Number	Part Number
CC2	Fitting, hose (Swivel) 54	X-653-1
DD	Adapter, carburetor - assem. (Includes EE & FF) 20, 43	A-236297
	21, 24, 27, 37, 48, 88	A-236302
	44, 45, 46	A-277372
EE	Venturi 20, 43	236275
	21, 24, 27, 37, 48, 88	270661
	44, 45, 46	277371
FF	Valve, needle 20, 21, 24, 27, 37, 43, 44, 45, 46, 48, 88	270662

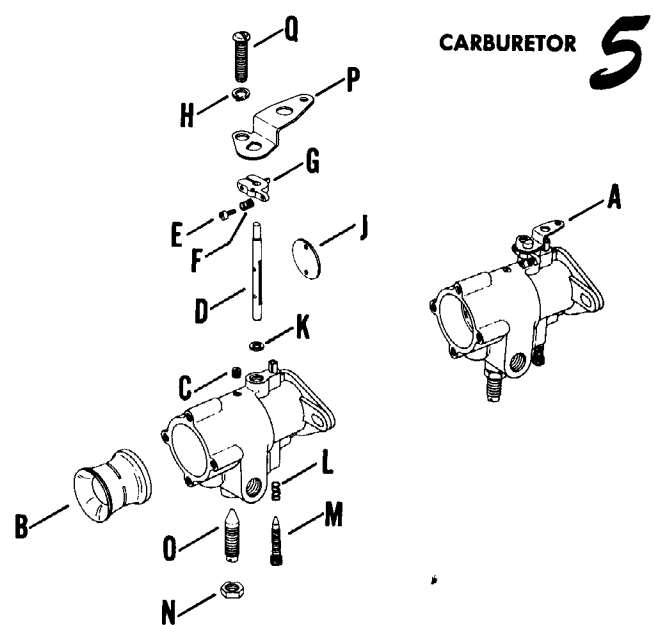


Index Letter	Description Variation Number	Part Number
--------------	---------------------------------	-------------

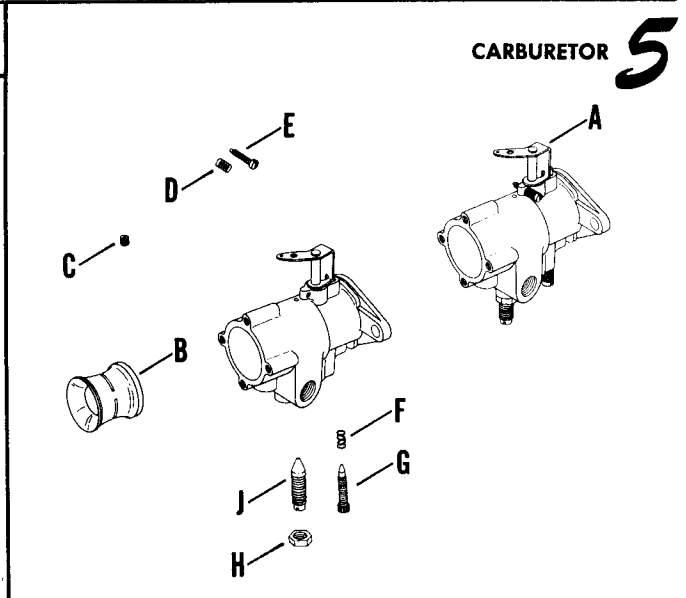
Use stock of original part number before ordering replacement.

ALL includes variations 1, 3, 5, 8, 9, 10, 12, 13, 14, 15, 16, 17, 18, 19, 20, 21, 22, 24, 26, 27, 33, 37, 40, 42, 43, 44, 45, 46, 48, 50, 53, 57, 62, 69, 74, 77, 81, 82, 84, 88, 91, 95, 97, 98, 106, 115, 119, 125, 298, 299, 300, and 301

Index Letter	Description Variation Number	Part Number	Index Letter	Description Variation Number	Part Number		
A1	Carburetor - assembly (Includes B thru M) (Replaced by 47 053 14) 1, 8, 22, 24, 27, 37, 42, 43, 45, 46, 53	A-237003	H	Spring, main fuel adjusting needle ALL	200383		
	Carburetor - assembly (Includes B thru M) (Replaced by 47 053 13) 3, 10, 15, 18, 19, 26, 50, 57, 62	A-237772	J	Needle, main fuel adjusting ALL (Except 14, 17, 33, 300, 301) 300, 301	235415 47 103 01		
	Carburetor - assembly (Includes B thru M) 5, 20, 21, 40, 44, 48, 88	A-236271		Needle, main fuel adjusting (Use 275373 prior to serial no. 2240478. Use 237489 on serial nos. 2240478 thru 5125238) 14, 17, 33	47 103 01		
	77	47 053 02	K	Spring, idle fuel adjusting needle ALL	200380		
	Carburetor - assembly (Includes B thru M) (Replaced by 47 053 12) 9, 12, 13, 69, 74	E-235058		Needle, idle fuel adjusting ALL (Except 14, 17, 33, 300, 301)	235006 275231		
	Carburetor - assembly (Includes B thru M) (Replaced by 47 053 15) 14	47 053 04	M	Gasket, bowl, baffle ALL	25 041 02		
	Carburetor - assembly (Includes B thru O) 16, 81	A-235580	N	Plug, bowl drain 16, 81	200434		
	Carburetor - assembly (Includes B thru M) (Replaced by 47 053 16) 17, 33	47 053 05	O	Spring 16, 81	236319		
	A2	Carburetor - assembly (Includes B thru M) 82	47 053 07	P	Rod, ball joint 91, 95, 97, 115, 298, 299, 300, 301	235277	
		84, 106, 125	47 053 08		Ball joint 91, 95, 97, 115, 298, 299, 300, 301	45 208 03	
		98	47 053 24	R	Repair Kit (Includes bowl nut gasket, bowl ring gasket, bowl baffle gasket, float pin, needle valve, needle seat gasket needle & seat body) ALL	25 757 01	
		A3	Carburetor - assembly (Includes B thru M, P, & Q) 91, 95	47 053 13		Repair Kit (Includes bowl nut gasket, bowl ring gasket, bowl baffle gasket, float pin, needle valve, needle seat gasket needle & seat body) 84, 105, 125	25 757 02
			115	47 053 29			
			Carburetor - assembly (Includes B thru M) 119	47 053 32			
		298	47 053 14				
299		47 053 12					
300		47 053 15					
301		47 053 16					
B	Screw, bowl retainer (Replaced by 47 100 06) ALL	47 100 04					
C	Bowl ALL (Except 16, 81)	235448					
	16, 81	236317					
D	Kit, float (Includes M) ALL	25 757 03					
E	Pin ALL	200376					
F	Gasket, bowl ALL	200375					
G	Needle and seat Available only in Carburetor repair kit						

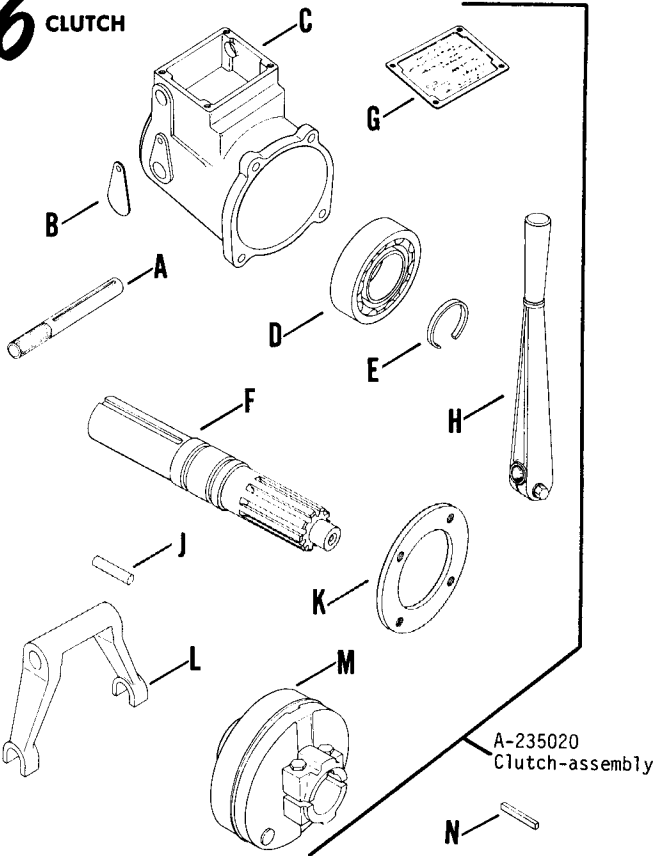


Index Letter	Description Variation Number	Part Number
Use stock of original part number before ordering replacement		
A	Carburetor - assembly (Includes B thru Q) (Replaced by B-237199) 29, 47, 54, 64	A-237199
B	Venturi 29, 47, 54, 64	236666
C	Screw, Venturi set 29, 47, 54, 64	X-60-1
D	Shaft (Discontinued--Not Available) 29, 47, 54, 64	236667
E	Screw, idle stop 29, 47, 54, 64	236554
F	Spring, idle stop (Replaced by 234208) 29, 47, 54, 64	236555
G	Arm, cast 29, 47, 54, 64	236670
H	Washer, throttle lever 29, 47, 54, 64	X-18-2
J	Plate (Discontinued--Not Available) 29, 47, 54, 64	236668
K	Seal, felt (Discontinued--Not Available) 29, 47, 54, 64	236669
L	Spring, idle adjustment 29, 47, 54, 64	234208
M	Screw, idle adjustment 29, 47, 54, 64	234206
N	Nut, load adjustment lock (Discontinued--Not Available) 29, 47, 54, 64	236553
O	Screw, load adjustment 29, 47, 54, 64	236552
P	Lever, throttle 29, 47, 54, 64	275228
Q	Screw, throttle lever 29, 47, 54, 64	X-51-14



Index Letter	Description Variation Number	Part Number
A	Carburetor - assembly (Includes B thru J) 302	B-237199
B	Venturi 302	236666
C	Screw, Venturi set 302	X-60-1
D	Spring, throttle lever adjusting screw 302	232555
E	Screw, throttle lever adjusting 302	232556
F	Spring, idle adjustment 302	234208
G	Screw, idle adjustment 302	234206
H	Nut, load adjustment (Discontinued--Not Available) 302	236553
J	Screw, load adjustment 302	236552

6 CLUTCH

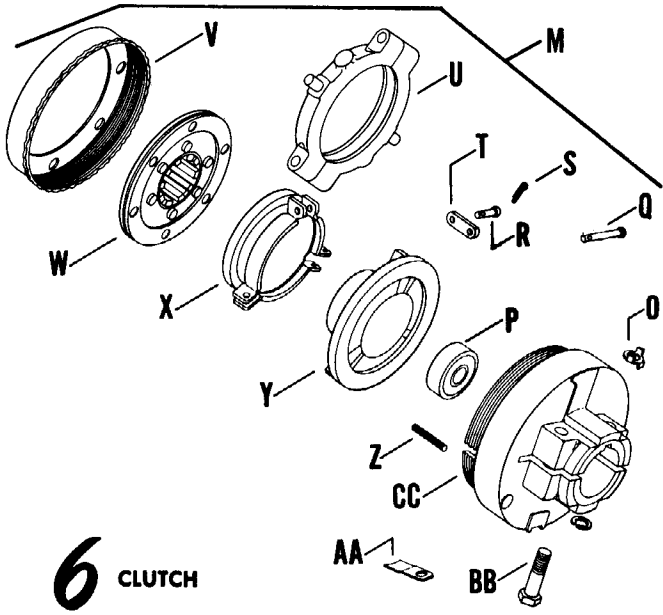


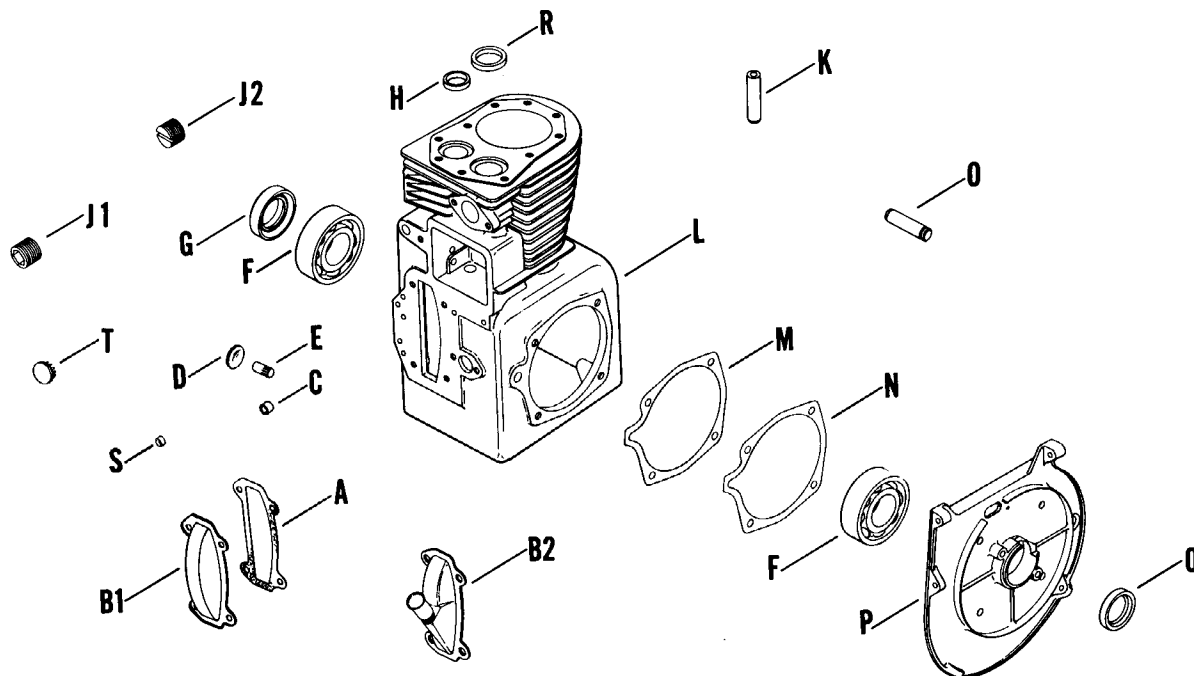
Index Letter	Description Variation Number	Part Number
M	Clutch - assembly (Includes O thru CC)	
	1	A-234093
N	Key	X-286-11
	1	
O	Lock, screw (2)	234057
	1	
P	Bearing	212135
	1	
Q	Pin, link (long) (3)	234051
	1	
R	Pin, link (short) (3)	234052
	1	
S	Pin, cotter (6)	X-36-4
	1	
T	Link, connecting (6)	234050
	1	
U	Bearing, release	A-234066
	1	
V	Ring, adjusting	234068
	1	
W	Member, driven	A-234061
	1	
X	Sleeve, release	A-234064
	1	
Y	Plate, pressure	A-234062
	1	
Z	Spring (3)	234055
	1	
AA	Lock, adjusting	234060
	1	
BB	Screw, hex. hd. 5/16 - 18	234114
	1	
CC	Housing, clutch	234094
	1	

Index Letter	Description Variation Number	Part Number
--------------	---------------------------------	-------------

Use stock of original part number before ordering replacement.

A	Shaft, yoke	274117
	1	
B	Cover, grease fitting	234088
	1	
C	Housing, power take-off	234086
	1	
D	Bearing, ball	234090
	1	
E	Ring, retaining	230305
	1	
F	Shaft, drive	234091
	1	
G	Cover, nameplate	234087
	1	
H	Lever, shifting	A-234026
	1	
J	Pin, roll (2)	274101
	1	
K	Plate, bearing retainer	234092
	1	
L	Yoke, clutch (Replaced by A-234027)	274102
	1	

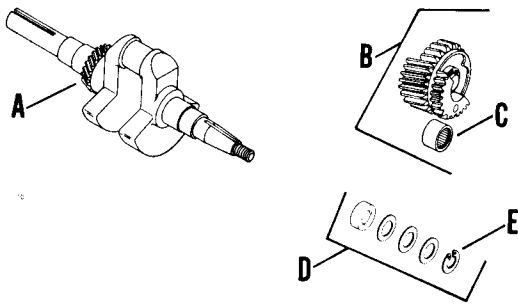




Index Letter	Description Variation Number	Part Number	Index Letter	Description Variation Number	Part Number
<p>CAUTION: When replacing cylinder block on Dynamic Balanced engines with serial no. 4110021 and earlier, order and install spacer kit no. 47 755 01--this is required due to change in boss height. Installation Instructions are included in the kit.</p> <p>Use stock of original part number before ordering replacement.</p>			H	Insert, exhaust valve ALL	230170
J1	Plug, pipe (2) 1, 22, 50, 84, 128, 145, 152, 157, 158, 161, 170, 172, 178, 233, 234, 235	X-75-31	J2	Plug, pipe 47, 57	X-75-17
	Plug, pipe (3) 159, 182, 284, 291, 334	X-75-31	K	Guide, valve (2) ALL	235007
A	Gasket, camshaft cover ALL	235025	L	Cylinder block Service with either a Shortblock or Miniblock	
B1	Cover, camshaft ALL (except 226, 277, 284, 291, 301, 318, 322)	235026	M	Gasket, bearing plate .010 (A.R.) ALL	235070
B2	Cover, camshaft 226, 277, 284, 291, 301, 318, 322	237623	N	Gasket, bearing plate ALL	235757
C	Bearing ALL	234866	O	Shaft, balance gear (2) 84, 100, 143, 157, 159, 161, 170, 172 178, 182, 184, 185, 226, 233, 234, 235 284, 291, 302, 318, 321	236559
D	Plug, expansion ALL	X-230-11	P	Plate, bearing (Replaced by 45 156 03) 1, 2, 4, 5, 8, 12, 20, 22, 23, 32, 33, 34, 47, 50, 52, 54, 56, 57, 62, 77, 84, 94, 98, 100, 113, 117, 121, 132, 143, 145, 147, 154, 155, 156, 157, 158, 170, 178, 200, 211, 217, 233, 235, 301, 303	45 156 01
E	Shaft, governor ALL	235125-S			
F	Bearing, ball (2) ALL	235376			
G	Seal, rear oil ALL (except 94, 165, 247, 268, 301)	X-379-9			
	Seal, rear oil (2) 94, 165, 247, 268, 301	X-379-9			

Index Letter	Description Variation Number	Part Number	Index Letter	Description Variation Number	Part Number
	Plate, bearing			17, 22, 34	B-235923
	21, 29, 35, 208, 226, 232	235354		18	B-235933
	41	235998		20	B-236256
	(Use 45 156 01 prior to spec suffix "C")			24	B-236477
	128, 138, 144, 152, 159, 161, 162, 165,			26, 31	B-236334
	172, 168, 172, 182, 184, 185, 186, 191,			57	B-237005
	193, 206, 215, 223, 225, 234, 242, 247,			74	B-236881
	268, 270, 277, 284, 286, 289, 291, 295,	45 156 02		86	47 014 01
	298, 302, 308			16, 30, 96	47 014 05
	318, 321, 322, 334	45 156 03		110	47 014 23
Q	Seal, front oil			Crankshaft	
	ALL	X-271-30		(Discontinued--Not Available)	
R	Insert, intake			27	B-236610
	4, 22, 32, 62, 77, 84, 100, 143, 155, 156,			Crankshaft	
	157, 161, 162, 182, 185, 186, 206, 217,	230265		(Discontinued--Not Available)	
	298, 322, 334			14	B-236704
S	Plug, cup (2)			Crankshaft	
	21, 56, 84, 242, 277, 289, 295, 298, 322,	X-702-3		(Discontinued--Not Available)	
	334			19	B-235963
T	Button, plug		B	Gear - assembly (2) (Includes C)	
	178	X-301-1		(Order spacer kit no. 47 755 01 when re-	
				placement spacers are required)	
				29, 30, 31, 34, 51, 52, 65, 76, 83	A-236507
			C	Bearing, needle (2)	
				29, 30, 31, 34, 51, 52, 65, 76, 83	236506
			D	Kit, spacer (Includes E)	
				29, 30, 31, 34, 51, 52, 65, 76, 83	47 755 01
			E	Retainer (2)	
				29, 30, 31, 34, 51, 52, 65, 76, 83	X-269-34
				① Standard	
				② Standard-tapped	
				③ Gear reduction	
				④ Generator Set	

8 CRANKSHAFT



Index Letter	Description Variation Number	Part Number
--------------	---------------------------------	-------------

Use stock or original part number before ordering replacement.

A	Crankshaft	
	1, 29	B-235805
	3, 65	B-235837
	4	B-235844
	5, 11, 21, 76	B-235949
	7, 51	B-235909
	8, 83	B-235887
	10	B-236408
	15	B-235920

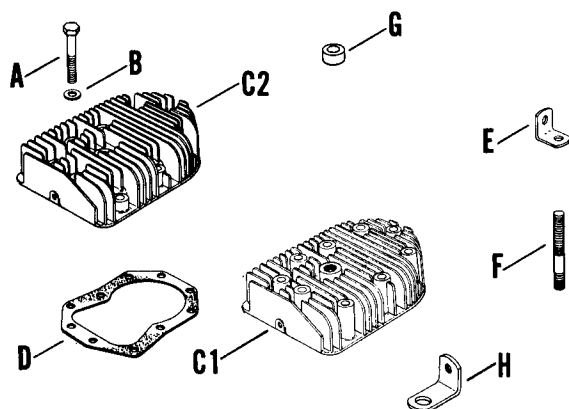
CYLINDER HEAD 9

Index Letter	Description Variation Number	Part Number
--------------	---------------------------------	-------------

Use stock of original part number before ordering replacement.

A	Screw, hex. hd. 3/8 - 16 x 2-1/2 (9)	
	1, 3, 7, 8, 10, 47, 61, 69, 75	235175
	Screw, hex. hd. (5)	
	5	235175
	Screw, hex. hd. (8)	
	11, 85	235175
	Screw, hex. hd. (6)	
	86	235175
	Screw, hex. hd. 3/8 - 16 x 2-1/4 (4)	
	5	271077

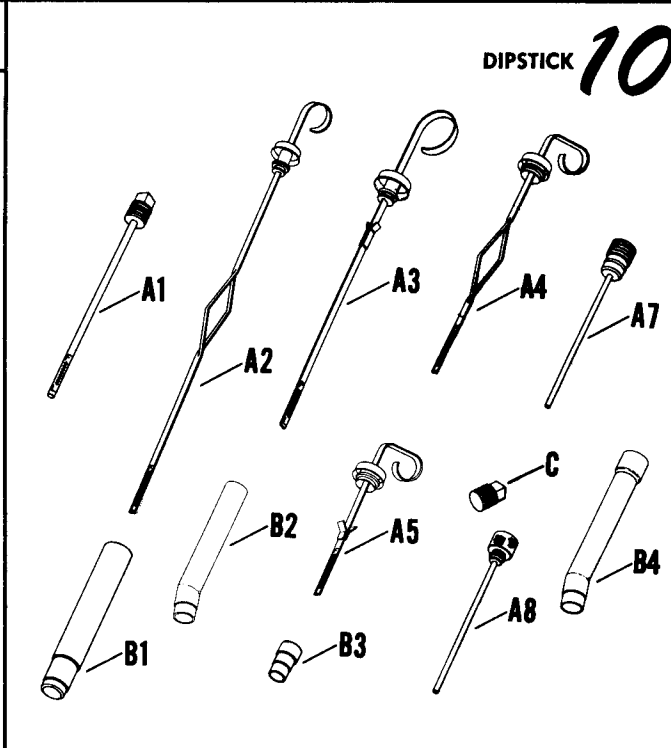
9 CYLINDER HEAD



Index Letter	Description Variation Number	Part Number
	Screw, hex. hd. 3/8 - 16 x 1-1/2 (9) 15, 42, 58, 94	270158
	Screw, hex. hd. (4) 24, 72	270158
	Screw, hex. hd. (3) 33, 43, 63, 67, 68	270158
	Screw, hex. hd. (5) 36, 65, 78, 95	270158
	Screw, hex. hd. (7) 40, 84, 90, 91	270158
	Screw, hex. hd. (2) 88	270158
	Screw, hex. hd. 3/8 - 16 x 1-1/2 (8) (Use variation no. 1 prior to engine serial no. 3185000) 25, 29, 38, 57, 70, 87	270158
	Screw, hex. hd. (6) 48, 55, 81, 82	270158
	Screw, hex. hd. 3/8 - 16 x 1-3/4 25, 36, 48, 55, 57, 70, 78, 82, 84, 90, 91	270721
	Screw, hex. hd. 3/8 - 16 x 1-1/2 (8) (Use variation no. 7 prior to engine serial no. 3185000) 45	270158
	Screw, hex. hd. 3/8 - 16 x 1-3/4 (Use variation no. 7 prior to engine serial no. 3185000) 45	270721
	Screw, hex. hd. 3/8 - 16 x 2-5/8 85	275196
B	Washer (10) 1, 3, 7, 8, 10, 11, 25, 36, 45, 48, 55, 57, 61, 69, 70, 75, 78, 85, 86, 87, 90, 94, 95	270889
	Washer (9) 5, 15, 24, 29, 38, 40, 42, 43, 58, 65, 67, 68, 72, 81, 82, 88, 91	270889
	Washer (11) 33, 47, 84	270889
	Washer (12) 63	270889

Index Letter	Description Variation Number	Part Number
C1	Head, cylinder (Use 237827 after engine serial no. 3184999) (Use 237670 on engine spec suffix "D" and later) 1, 3, 5, 10, 11, 47	237829
	Head, cylinder (Use 237715 on spec suffix "D" & later) 7	237831
	Head, cylinder (Replaced by 47 015 03) 8, 86	236213
	61, 75, 85	237671
	69	237715
C2	Head, cylinder (Use 237829 prior to engine serial no. 3185000) (Use 237670 on engine spec suffix "D" & later) 15, 24, 25, 29, 33, 36, 38, 40, 43, 48, 65, 67	237827
	Head, cylinder (Use 237714 on engine spec suffix "D" & later) 42, 45	237560
	Head, cylinder 55, 57, 58, 63, 68, 72, 78, 81, 82, 84, 87, 88, 90, 91, 94, 95	237670
	70	237714
D	Gasket, cylinder head (Replaced by 237658) 40, 48	237306
	Gasket, cylinder head 1, 3, 5, 7, 8, 10, 11, 15, 24, 25, 29, 33, 36, 38, 42, 43, 45, 47, 55, 57, 58, 61, 63, 65, 67, 68, 69, 70, 72, 75, 78, 81, 82, 84, 85, 86, 87, 88, 90, 91, 94, 95	237658
E	Strap, lifting (Use 236742 after engine serial no. 3184999) 1, 3, 7, 8, 10, 11, 24, 33, 40, 43, 47, 61, 63, 65, 67, 68, 69, 72, 75, 81, 85, 86	235748
	Strap, lifting (Use 235748 prior to engine serial no. 3185000) 25, 36, 45, 48, 55, 57, 70, 91	236742
	Strap, lifting (Replaced by 47 445 01) 87	235748
E	Strap, lifting 78, 82, 90, 94, 95	47 445 01
F	Stud 24, 72, 90	237277
	Stud (6) 33	237522
	Stud (3) 36, 78, 81, 86	237277
	Stud (2) 40	237277
	Stud (6) 43, 63, 67, 68	237277

Index Letter	Description Variation Number	Part Number
	Stud (4) 65	237277
	11, 29, 38, 84, 87, 91	237522
	Stud (7) 88	237277
	Stud (4) 95	237522
	Stud (2) (Use variation no. 1 prior to serial no. 3185000) 48, 55, 82	237522
G	Spacer (5) 24, 72	X-400-71
	Spacer (4) 33, 43, 63	X-400-71
	Spacer (2) (Discontinued--Not Available) 33	X-400-83
	Spacer (3) 36	X-400-71
	Spacer (2) 40	X-400-71
	Spacer (4) 65	X-400-71
	Spacer (6) 67, 68	X-400-91
	Spacer 81, 84, 87, 95	X-400-71
	Spacer (2) 81, 82	X-400-91
	Spacer (3) 78	X-400-91
	Spacer 90	X-400-91
	Spacer (7) 88	X-400-71
	Spacer (2) (Use variation no. 1 prior to engine serial no. 3185000) 48, 55	X-400-71
H	Bracket, baffle mounting 84	47 126 04



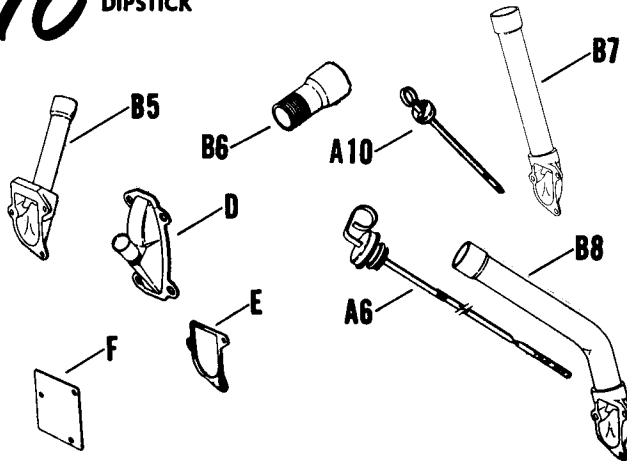
DIPSTICK 10

Index Letter	Description Variation Number	Part Number
	Dipstick 14-7/8" blade 4	A-235941
	9	235982
	Dipstick 14-7/16" blade. (Discontinued--Not Available) 11	A-236210
	Dipstick 12" blade 12	232757
	Dipstick 15-1/4" blade 15	236466
	Dipstick 15-9/16" blade 23	236703
A3	Dipstick 8-11/16" blade 7	A-235985
	Dipstick 10" blade 31	237015
	Dipstick 4-1/2" blade 40	A-236640
A4	Dipstick 8-11/16" blade 17	236837
	Dipstick 16-21/64" blade 52	47 038 05
A5	Dipstick 4-3/8" blade 28, 35	237013
	Dipstick 2-61/64" blade 43	237552
A6	Dipstick 14-1/2" blade 30	237052
	Dipstick 14-29/64" blade (Discontinued--Not Available) 42	237087
	Dipstick 3-31/32" blade 56	47 272 01

10 DIPSTICK

Index Letter	Description Variation Number	Part Number
A1	Dipstick 2-1/4" blade 1, 80	A-235092
	Dipstick 8-7/8" blade 3	A-235320
	Dipstick 8-3/32" blade 8	235747
A2	Dipstick 16-13/32" blade 2	A-235068
	5	A-235543

10 DIPSTICK



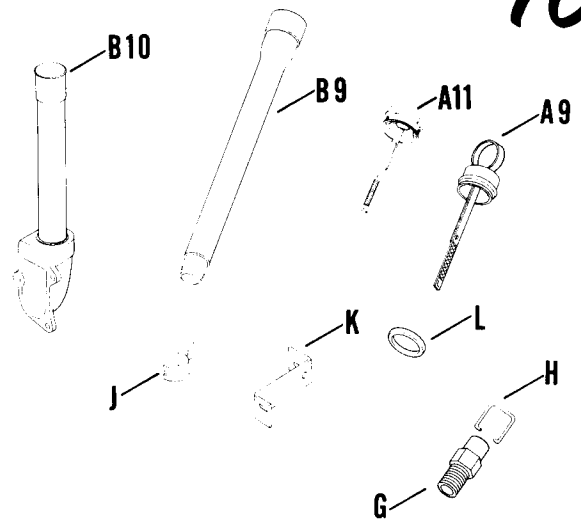
Index Letter	Description Variation Number	Part Number
--------------	------------------------------	-------------

A7	Dipstick 39	A-237150
A8	Dipstick 5-3/4" blade 40	A-237282
A9	Dipstick 3-1/2" blade 41	A-235427
A10	Dipstick 7-13/16" blade 44	237620
	Dipstick 8-31/32" blade 48	237932
	Dipstick 13-55/64" blade 53, 55	47 038 04
	Dipstick 57	45 272 03
A11	Dipstick 3-31/32" blade 56	47 272 01
B1	Tube, oil fill 7-1/2" 2, 5	275875
	Tube, oil fill 6-3/4" 9, 11	235335
B2	Tube, oil fill 6-21/32" 4, 23, 40	235895
	Tube, oil fill 4-1/4" 12	236382
B3	Tube, oil 9/16" 7	232656
B4	Tube, oil fill 7-5/32" 15	236465
B5	Tube, oil fill 4-1/16" 17, 31	236960
B6	Tube, oil fill 1-13/16" 28, 35, 43	237012
B7	Tube, oil fill 9-11/32" 30, 57	236964
B8	Tube, oil fill 9-3/8" (Discontinued--Not Available) 42	237547
B9	Tube, oil fill 8-5/8" 52	47 123 03
	56	45 538 01

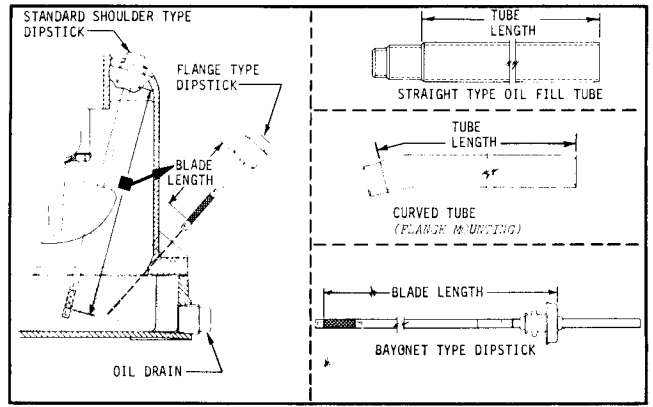
Index Letter	Description Variation Number	Part Number
--------------	------------------------------	-------------

B10	Tube, oil fill 9" 53, 55	47 180 03
C	Plug, pipe 35	X-75-13
D	Cover, camshaft 44, 48	237623
E	Gasket 17, 30, 31, 42, 53, 55, 57, 80	237064
F	Plate, oil fill pad 80	237262
G	Adapter, dipstick 1-1/8 41	235428
H	Wire, bail 41	235429
J	Clamp 55	X-785-1
K	Bracket, tube (Use after engine serial no. 7158393) 55	47 126 11
L	Ring "O" 41	275104

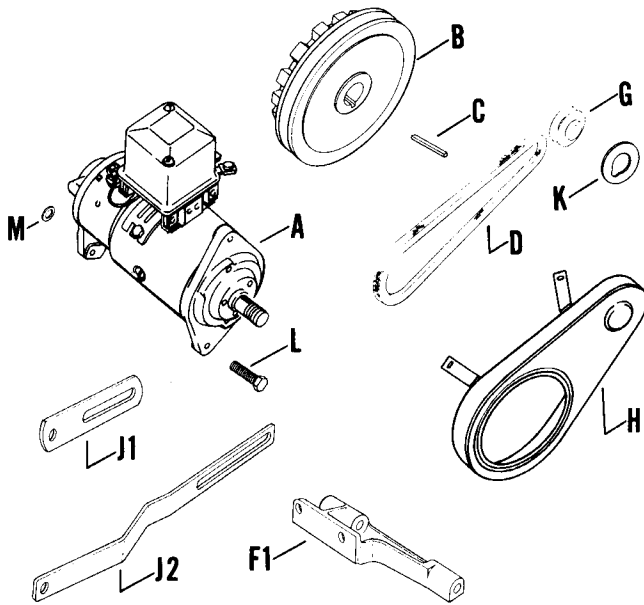
DIPSTICK 10



DIPSTICK AND OIL FILL TUBE DETAILS



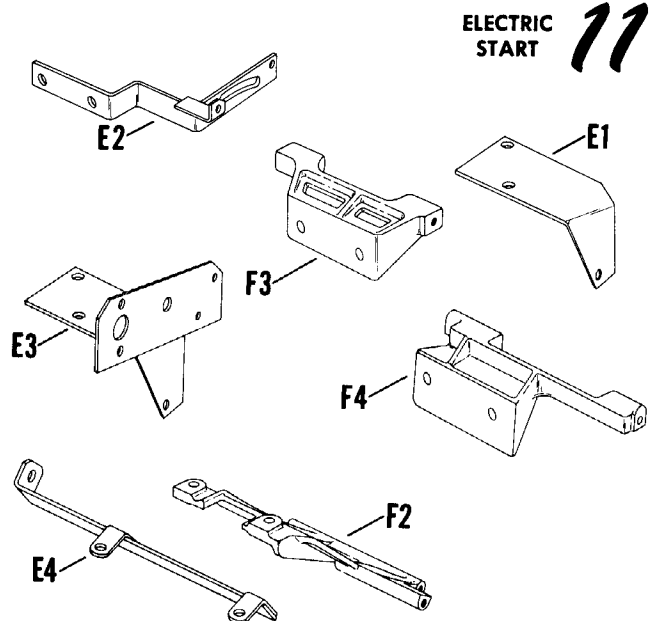
11 ELECTRIC START



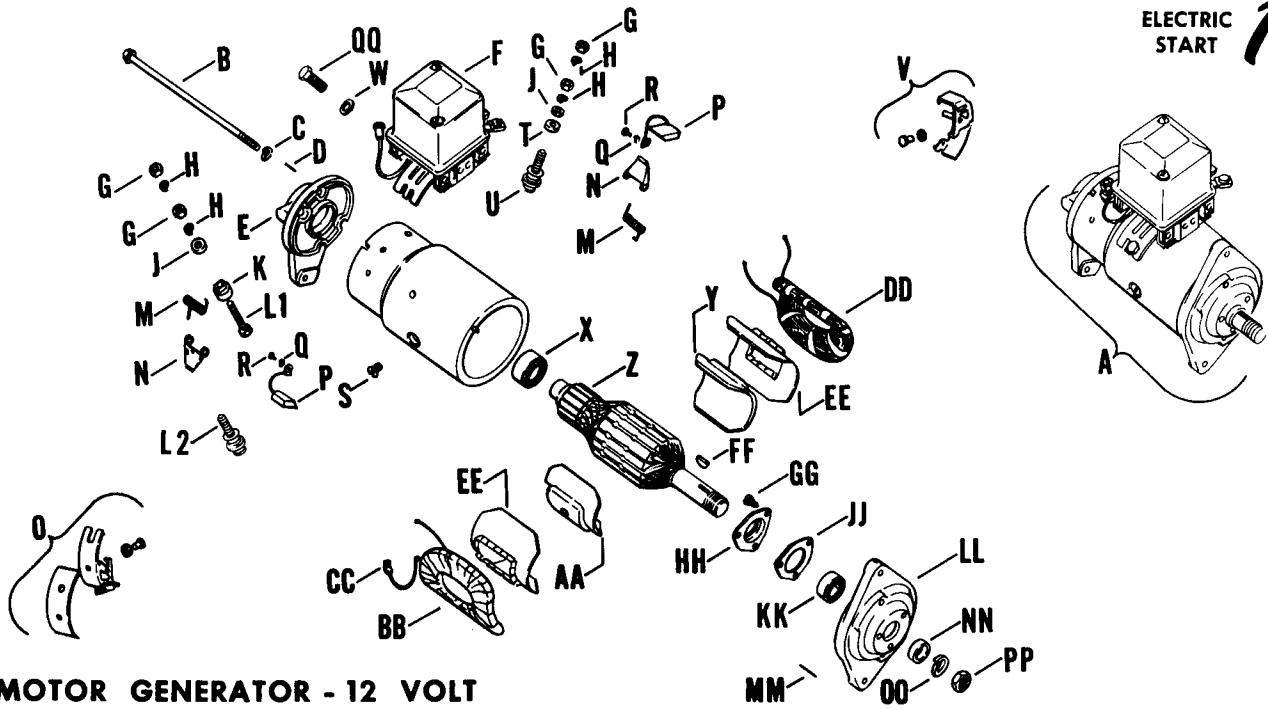
MOTOR GENERATOR - 12 VOLT

Index Letter	Description Variation Number	Part Number
A	Starter, generator - assembly (Includes regulator) 2, 6, 7, 14, 16, 19, 32	B-275703
	26	A-236278
	Starter, generator - assembly 13, 23, 39	B-275847
	15	C-231262
B	Pulley, driven 15, 28	231591
C	Key, square 15, 28	242168
D	Belt 2, 7, 13, 14, 39	235262
	6, 16, 19, 26, 32	235261
	15	231605
	23	231446
	39	235312
E1	Support, starter upper 2, 7, 8, 17, 18, 39	235197
	Support, starter upper (Discontinued--Not Available) 14	235315
E2	Support, starter upper 6, 16, 19, 32	235717
	26	236427
E3	Support, starter upper (Includes panel) 13	235198

Index Letter	Description Variation Number	Part Number
E4	Support, starter upper 23	235705
F1	Support, starter lower 2, 7, 8, 13, 39	235196
	14	235681
	17, 18	235457
F2	Support, starter lower 6, 16, 19, 26, 32	235749
F3	Support, starter lower 15, 28	235373
F4	Support, starter lower 23	235708
G	Pulley, generator 2, 6, 7, 13, 14, 16, 19, 23, 26, 32, 39	235260
	15	231278
H	Guard, belt 6, 19, 26, 32	235530
	7, 13, 14, 39	235528
J1	Bracket, starter adjusting 2, 7, 8, 13, 14, 17, 39, 44	235203
	23	235707
J2	Bracket, starter adjusting 15, 28	231273
K	Shim .010 (A.R.) 2, 6, 7, 14, 15, 16, 17, 19, 23, 26, 32, 39	236397
L	Screw, hex. hd. 5/16 - 18 x 1 (3) 26	236431
M	Washer (2) 32	270889



MOTOR GENERATOR - 12 VOLT



MOTOR GENERATOR - 12 VOLT

Index Letter	Description Variation Number	Part Number	Index Letter	Description Variation Number	Part Number
<div style="border: 1px solid black; padding: 5px; margin-bottom: 5px;">Use stock of original part number before ordering replacement.</div> <div style="border: 1px solid black; padding: 5px;">ALL includes variations 2, 6, 7, 13, 14, 15, 16, 19, 23, 26, 32, 39.</div>					
A	Starter, generator - assembly (Includes regulator) 2, 6, 7, 14, 16, 19, 32 26	B-275703 A-236278	H	Washer, split - terminal stud (4) 2, 6, 7, 13, 14, 16, 19, 23, 32, 39 15, 26	275979 272320
	Starter, generator - assembly 13, 23, 39 15	B-275847 C-231262	J	Washer, plain terminal (2) 2, 6, 7, 13, 14, 15, 16, 19, 23, 32, 39 Washer, plain terminal (Discontinued--Not Available) 26	275986 272319
B	Bolt, thru (2) ALL	231314	K	Bushing, insulated terminal "A" (Replaced by 232861) 2, 6, 7, 13, 14, 16, 19, 23, 32, 39 Bushing, insulated terminal "A" 15, 26	275974 232861
C	Washer, split - thru bolt (2) (Discontinued--Not Available) 2, 6, 7, 13, 14, 16, 19, 23, 32, 39 Washer, split - thru bolt (2) 15, 26	275980 272330	L1	Stud, terminal "A" 2, 6, 7, 13, 14, 16, 19, 23, 32, 39 Stud, terminal "A" (Replaced by 232862) 15	275972 234420
D	Pin, dowel, C.E. ALL	275993	L2	Stud, terminal "A" (Includes bushing) 26	232862
E	Frame C.E. (Replaced by 230812) 2, 6, 7, 13, 14, 16, 19, 23, 32, 39 Frame C.E. 15, 26	275922 230812	M	Spring, brush (2) (Replaced by 285652) 2, 6, 7, 13, 14, 15, 16, 19, 23, 32, 39 Spring, brush (2) 26	275742 285652
F	Regulator 2, 6, 7, 14, 16, 19, 26, 32	275746	N	Arm, brush (2) (Replaced by 272325) 2, 6, 7, 13, 14, 16, 19, 23, 32, 39 Arm, brush (2) 15, 26	275743 272325
G	Nut, terminal (4) ALL	X-81-7			

Index Letter	Description Variation Number	Part Number	Index Letter	Description Variation Number	Part Number
O	Holder, insulated brush ALL	231307	CC	Clip, terminal to brush 2, 6, 7, 13, 14, 15, 16, 19, 23, 32, 39	275987
P	Brush ALL	275741	DD	Coil, field - R.H. 2, 6, 7, 13, 14, 16, 19, 23, 26, 32, 39	275739
Q	Washer, split - brush lead (2) (Replaced by X-18-1) 2, 6, 7, 13, 14, 16, 19, 23, 32, 39	275977		15	231308
	Washer, split - brush lead (2) 26	X-18-1	EE	Insulator, field coil 2, 6, 7, 13, 14, 16, 19, 23, 32, 39	231794
R	Screw, brush lead (2) ALL	X-49-1		Insulator, field coil (2) 15, 26	231794
S	Screw, pole shoe (2) ALL	275984	FF	Key, woodruff (Replaced by X-43-3) ALL	275990
T	Washer, insulated terminal ALL	275985	GG	Screw, bearing retainer (3) ALL	275981
U	Stud, terminal "F" (Includes bushing) (Replaced by 232862) 2, 6, 7, 13, 14, 16, 19, 23, 32, 39	275973	HH	Plate, retainer D.E. ALL	275976
	Stud, terminal "F" (Includes bushing) 15, 26	232862	JJ	Gasket, bearing retainer ALL	231312
V	Holder, ground brush ALL	231306	KK	Bearing, D.E. ALL	270311
W	Washer, split - regulator mounting (2) 26	X-19-1	LL	Frame D.E. 2, 6, 7, 13, 14, 16, 19, 23, 26, 32, 39	275924
X	Bearing, ball C.E. ALL	230813		15	234419
Y	Shoe, pole - notched (Replaced by 275969) 2, 6, 7, 13, 14, 15, 16, 19, 23, 26, 32, 39	275970	MM	Pin dowel D.E. ALL	275994
Z	Armature ALL	A-275738	NN	Collar, space D.E. 2, 6, 7, 13, 14, 16, 19, 23, 32, 39	275971
AA	Shoe, pole - plain 2, 6, 7, 13, 14, 16, 19, 23, 32, 39	275969		15, 26	275017
	Shoe, pole (Replaced by 275969) 15, 26	275970	OO	Washer, split - shaft D.E. 26	X-26-10
BB	Coil, field - L.H. 2, 6, 7, 13, 14, 16, 19, 23, 26, 32, 39	275740	PP	Nut, shaft D.E. (Replaced by 271267) 2, 6, 7, 13, 14, 16, 19, 23, 32, 39	275962
	15	231309		Nut, shaft D.E. (2) 15	271267
				Nut, shaft D.E. 26	271267
			QQ	Screw, regulator mtg. (2) 26	234415

BENDIX DRIVE STARTERS

A number of changes have been made on American Bosch starting motors. When major changes were made, Bosch changed their model designation and Kohler, in turn, changed the starter part number and also established an engine serial number break to indicate when the new model was used. The chart below lists the starter supersessions by both Bosch model and Kohler part number. Following the chart is a parts breakdown of each starter with the starters listed in numerical sequence by Kohler part number.

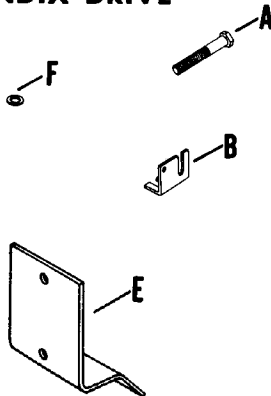
The Bosch model number is found on the end cap of each starter. If the model number can be obtained, locate the corresponding Kohler part number in the chart. Then find the required replacement part numbers under the parts breakdown for that Kohler starter number.

If the Bosch model cannot be determined, check the serial number of the engine to determine which starter it uses. For example, if starter variation 30 is called for and the engine serial number is E-277390, the chart indicates the Bosch SME12A13 or Kohler A-236292 starter. If the serial number had been E-228055, the chart indicates that the engine used the SMH12A13 or Kohler A-237132 starter.

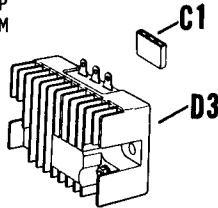
Variations	Kohler Part No.	American Bosch Part No.	Replaced by		Effective at Serial No.
			Kohler Part No.	Am. Bosch No.	
30, 45, 96, 97, 99, 100, 101, 105, 109, 110	A-236292 A-237132 B-237132	SME12A13 SMH12A3 SMH12A3	A-237132 B-237132 A-237511	SMH12A3 SMH12A3 SMH12A5 or 05995-21-M030SM	E-227420 * 317382
37, 40, 41, 91, 92, 93, 94, 95, 98, 107	A-236396 A-237131	SME12A11 SMH12A2	A-237131 A-237534	SMH12A2 SMH12A4 or 05994-24-M030SM	E-172452 3224986
50, 53, 103, 106, 111	A-237510	SMH12A2	A-237534	SMH12A4 or 05994-24-M030SM	3224986
54, 56, 60, 61, 65, 102, 104	A-237511	SMH12A5 or 05995-21-M030SM			
58	45 098 01 45 098 03	SMH12A201 SMH12A201	45 098 03 45 098 05	SMH12A201 12507-29-M030SM	7144003 7333352
69, 71	45 098 06	14925-27-M030SM			

* Dust shield kit 237555 was added to A-237132 starter which changes the starter number to B-237132. Dust shield kit includes stop gear spacer, shield retainer & dust shield.

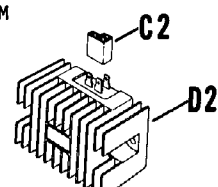
11 ELECTRIC START BENDIX DRIVE



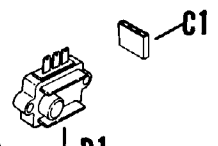
10 AMP SYSTEM



15 AMP SYSTEM



NOTE
TERMINAL
ARRANGEMENT



15 AMP SYSTEM (QUIET MODELS)

Index Letter	Description Variation Number	Part Number
--------------	------------------------------	-------------

Use stock of original part number before ordering replacement.

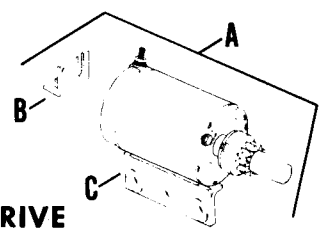
A Screw, starter mounting (2)
(Use 45 111 01 when fuel tank bracket is mounted with starter mounting screws)
30, 45, 96, 97, 99, 100, 101, 105 **234948**

Screw, starter mounting (2)
(Use 45 111 01 when fuel tank bracket is mounted with starter mounting screws. On engine serial nos. E-172452 thru 3224985 use 234379 with starter only or use 234948 when fuel tank bracket is mounted with starter mounting screws. After engine serial no. 3224985, use 234948 with starter only or use 45 111 01 when fuel tank bracket is mounted with starter mounting screws).
37, 40, 41, 91, 92, 93, 94, 95, 98 **234948**

Screw, starter mounting (2)
(Use 234948 when fuel tank bracket is mounted with starter mounting screws. After engine serial no. 3224985, use 234948 with starter only or use 45 111 01 when fuel tank bracket is mounted with starter mounting screws).
50, 53, 103 **234379**

Index Letter	Description Variation Number	Part Number
	Screw, starter mounting (2) (Use 45 111 01 when fuel tank bracket is mounted with starter mounting screws) 54, 56, 60, 61, 65, 102, 104	234948
	Screw, starter mounting (2) 58	234948
B	Bracket, support (Use 236737 prior to engine serial no. E-227420) 30, 45, 54, 56, 60, 61, 65, 96, 97, 99, 100, 101, 102, 104, 105	237239
C1	Connector - 10 amp. (Use with 234279 or 41 403 01 rectifier) 58, 92, 94, 97, 98, 99, 103, 109, 111	236602
C2	Connector - 15 amp. (Use with 237335 rectifier) 91, 93, 95, 96, 100, 101, 102, 104, 105	237429
D1	Rectifier-regulator - 15 amp. 58, 103	41 403 01
	Rectifier-regulator 69, 71, 106, 107, 109, 110, 111	41 403 05
D2	Rectifier-regulator - 15 amp. 91, 93, 95, 96, 100, 101, 102, 104, 105	237335
D3	Rectifier-regulator - 10 amp. 92, 94, 97, 98, 99	234279
E	Bracket, regulator (Replaced by 47 126 01) 93, 94, 96, 99	237045
	Bracket, regulator 102, 104, 105	47 126 01
F	Washer 96, 97, 99	235003

Index Letter	Description Variation Number	Part Number
Use stock of original part number before ordering replacement.		
A	Starter - assembly (low mount) (SME12A13) (Includes B thru O) (Replaced by A-236292-S kit)	A-236292
B	Armature	236571
C	Washer, spacer .005	236570
D	Washer, spacer .010 (A.R.)	236568
E	Drive	236562
F	Plate D.E.	236627
G	Washer, split-thru bolt	236574
H	Bolt thru(2)	236577
J	Cap-assembly C.E.	236628
K	Brush and spring	236576
L	Nut, terminal lead (2)	236575
M	Washer, split (2)	236594
N	Washer, spacing	236573
O	Washer, insulator	236572



ELECTRIC START **11**

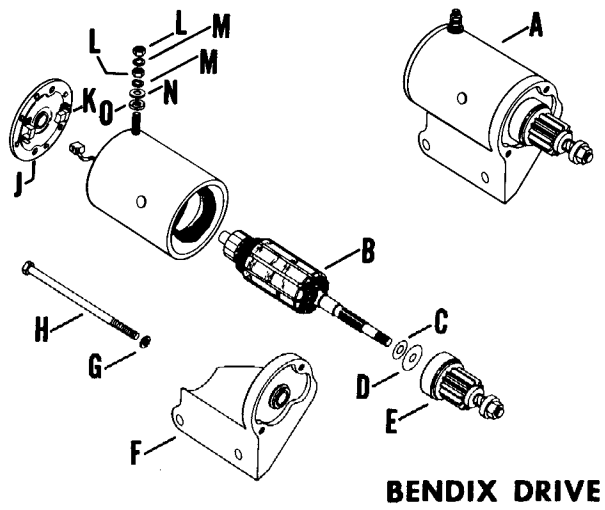
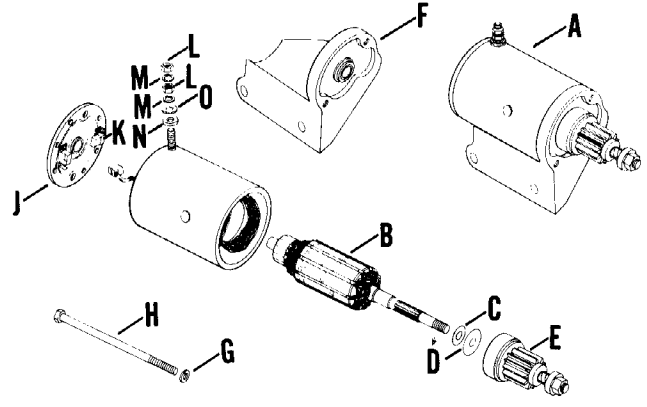
BENDIX DRIVE

Index Letter	Description Variation Number	Part Number
A	Starter - assembly (low mount) (Includes B & C)	A-236292-S
B	Bracket, starter support	237239
C	Starter - assembly (See pg. 39 for breakdown)	A-237511



BENDIX DRIVE

ELECTRIC START **11**



BENDIX DRIVE

11 **ELECTRIC START**

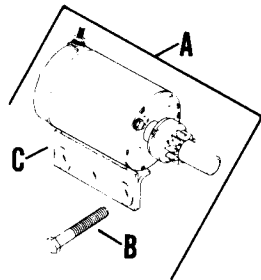
Index Letter	Description Variation Number	Part Number
--------------	---------------------------------	-------------

Use stock of original part number before ordering replacement.

A	Starter - assembly (high mount) (SME12A11) (Includes B thru O) (Replaced by A-236396-S kit)	A-236396
B	Armature	236571
C	Washer, spacer .005	236570
D	Washer, spacer .010 (A.R.)	236568
E	Drive	236562
F	Kit, starter bracket	237225
G	Washer, split-thru bolt	236574
H	Bolt, thru (2)	236577
J	Cap - assembly C.E.	236564
K	Brush and spring	236576
L	Nut, terminal lead (2)	236575
M	Washer, split (2)	236594
N	Washer, spacing	236573
O	Washer, insulator	236572



11 ELECTRIC START



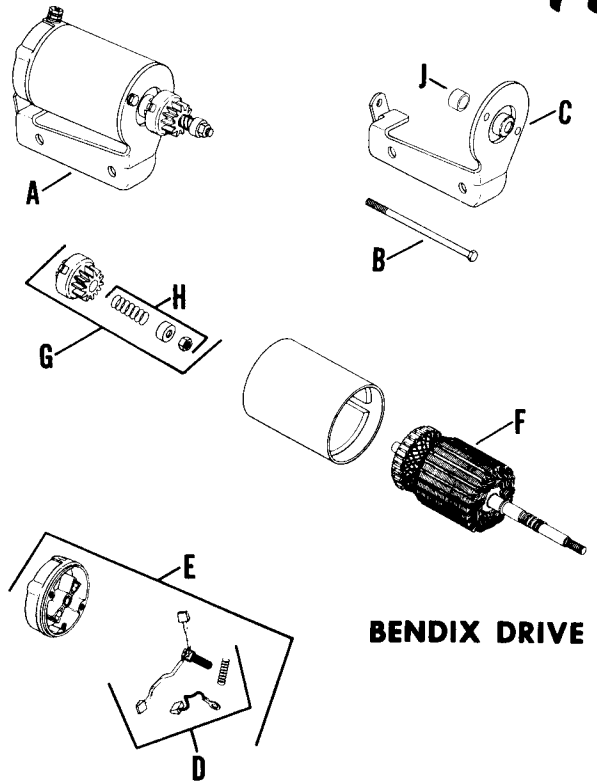
BENDIX DRIVE

Index Letter	Description Variation Number	Part Number
--------------	---------------------------------	-------------

A	Starter - assembly (high mount) (Includes B & C)	A-236396-S
B	Screw, H.C. (2) (High mount starter for J. Deere when 236423 bracket is used)	234380
B	Screw, H.C. (2) (High mount starter only mounting)	234948
C	Starter - assembly (See pg. 39 for breakdown)	A-237534

ELECTRIC START

11



BENDIX DRIVE

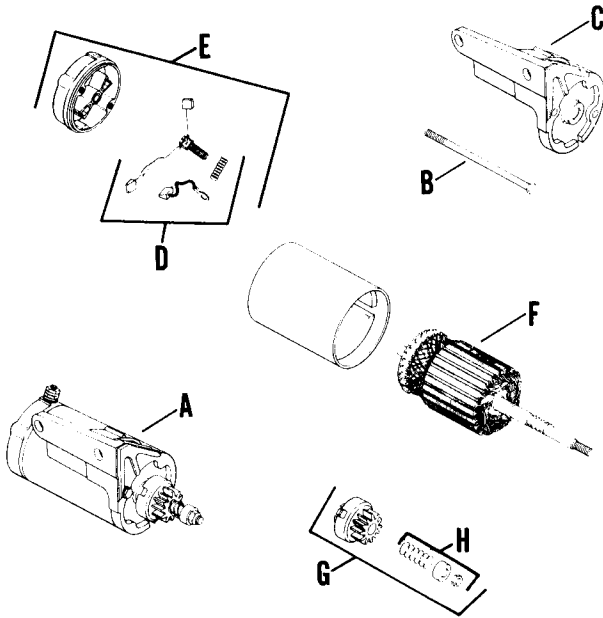
Index Letter	Description Variation Number	Part Number
--------------	---------------------------------	-------------

Use stock of original part number before ordering replacement.

A	Starter - assembly (high mount) (SMH12A2) (Includes B thru J) (Replaced by A-237534)	A-237131
B	Bolt, thru w/washer (2)	237358
C	Bracket and cap D.E.	237362
D	Kit, brush	48 755 15
E	Cap, commutator end	48 227 04
F	Armature	47 170 01
G	Kit, drive (Includes H)	47 755 07
H	Kit, drive parts	47 755 13
J	Bearing	41 030 01

ELECTRIC START

BENDIX DRIVE



Index Letter	Description Variation Number	Part Number
--------------	------------------------------	-------------

Use stock of original part number before ordering replacement.

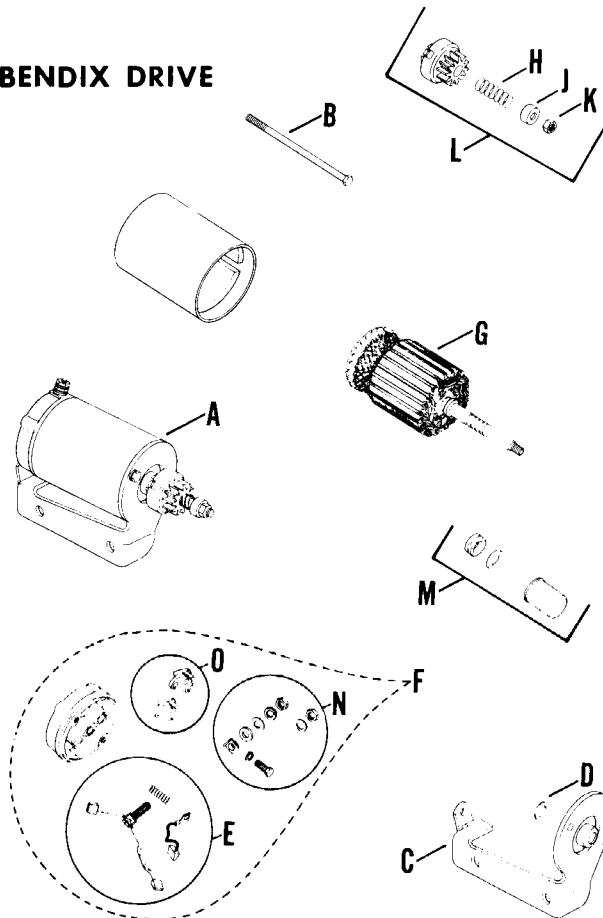
A	Starter - assembly (low mount) (SMH12A3) (Includes B thru N) (Replaced by A-237511)	A-237132
B	Bolt, thru w/washer (2)	237646
C	Bracket and cap D.E.	237361
D	Kit, brush	48 755 15
E	Cap, commutator end	48 227 04
F	Armature	47 170 01
G	Kit, drive (Includes H)	41 755 07
H	Kit, drive parts	47 755 13

Index Letter	Description Variation Number	Part Number
--------------	------------------------------	-------------

Use stock of original part number before ordering replacement.

A	Starter - assembly (high mount) SMH12A4 (Includes B thru O) (Replaced by A-237534)	A-237510
B	Bolt, thru w/washer (2)	237358
C	Bracket and cap D.E.	237362
D	Washer, armature thrust	237363
E	Kit, brush and spring	237367
F	Kit, commutator cap (Includes E, N, & O)	237368
G	Armature	237364
H	Spring, anti-drift	237357
J	Spacer, stop gear (Starters with dust shield use 237645)	237356
K	Nut, stop	X-101-4
L	Kit, drive (Includes H, J & K)	237370
M	Kit, dust shield	237555
N	Kit, hardware	237761
O	Kit, brush holder	237762

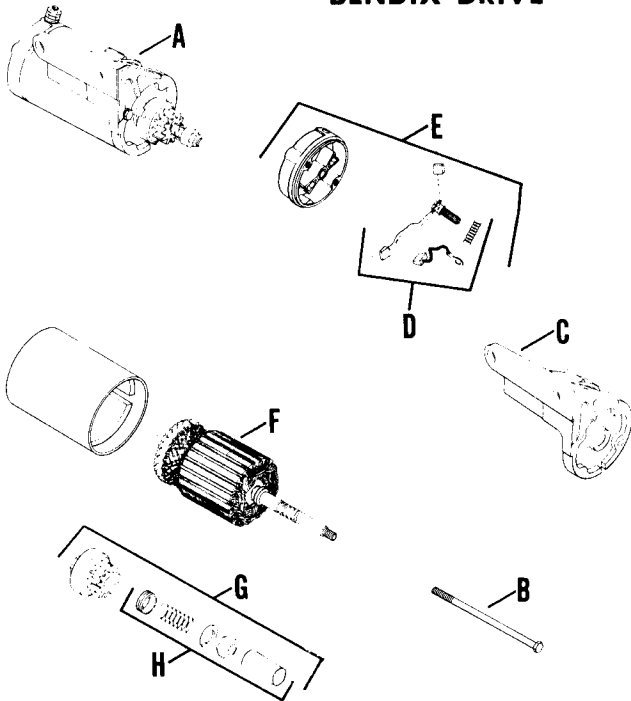
BENDIX DRIVE



ELECTRIC START

11 ELECTRIC START

BENDIX DRIVE



Index Letter	Description Variation Number	Part Number
--------------	------------------------------	-------------

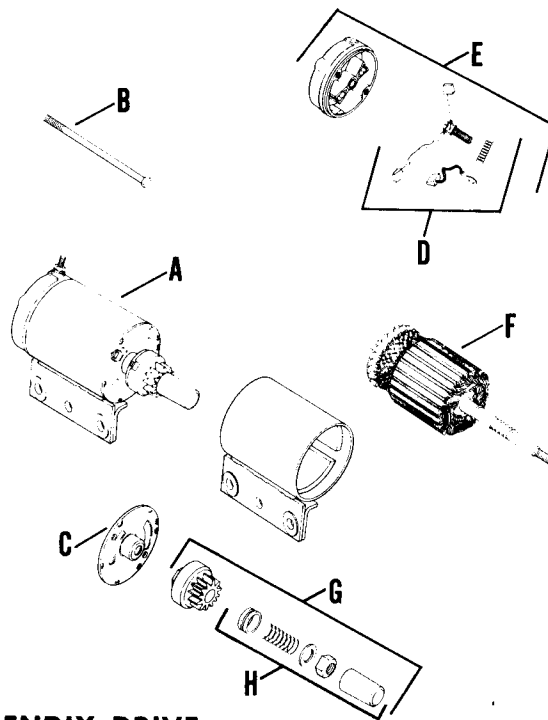
Use stock of original part number before ordering replacement.

A	Starter - assembly (low mount) (SMH12A5 or 05995-21-M030SM) (Includes B thru H)	A-237511
B	Bolt, thru w/washer (2)	237646
C	Bracket and cap D.E.	237361
D	Kit, brush and spring	48 755 15
E	Kit, commutator cap	48 227 04
F	Armature	47 170 01
G	Kit, drive	47 755 07
H	Kit, drive parts	47 755 13

Index Letter	Description Variation Number	Part Number
--------------	------------------------------	-------------

Use stock of original part number before ordering replacement.

A	Starter - assembly (high mount) (SMH12A4 or 05994-24-M030SM) (Includes B thru H)	A-237534
B	Bolt, thru w/washer (2)	237649
C	Cap, D.E.	237650
D	Kit, brush	48 755 15
E	Cap, commutator end	48 227 04
F	Armature	47 170 01
G	Kit, drive	47 755 07
H	Kit, drive parts	47 755 13

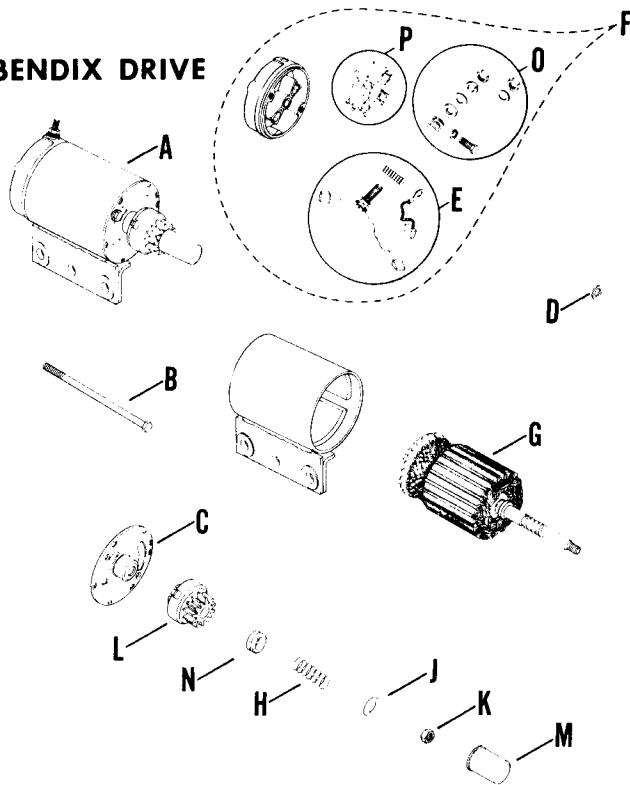


BENDIX DRIVE

ELECTRIC START

11 ELECTRIC START

BENDIX DRIVE



Index Letter	Description Variation Number	Part Number
--------------	------------------------------	-------------

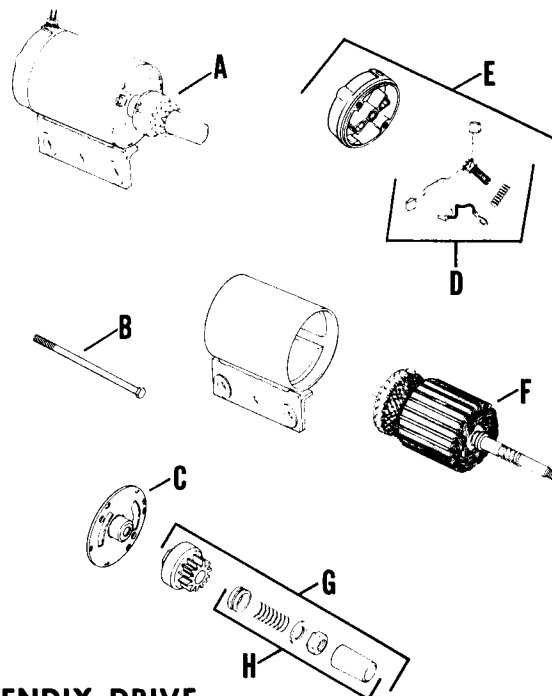
Use stock of original part number before ordering replacement.

A	Starter - assembly (high mount) (SMH12A201) (Includes B thru H) (Replaced by 45 098 05)	45 098 01
B	Bolt, thru w/washer (2)	237649
C	Cap, D.E.	237650
D	Washer, armature thrust	237363
E	Kit, brush and spring	237367
F	Kit, commutator cap (Includes E, O & P)	237368
G	Armature	237846
H	Spring, anti-drift	237357
J	Spacer, stop gear (2)	237645
K	Nut, stop	237644
L	Drive (Replaced by 45 755 03 kit)	237809
M	Cover, dust	237643
N	Spacer, dust cover	237647
O	Kit, hardware	237761
P	Kit, brush holder	237762

Index Letter	Description Variation Number	Part Number
--------------	------------------------------	-------------

Use stock of original part number before ordering replacement.

A	Starter - assembly (high mount) (SMH12A201) (Includes B thru H) (Replaced by 45 098 05)	45 098 03
B	Bolt, thru w/washer (2)	237649
C	Cap, D.E.	237650
D	Kit, brush	48 755 15
E	Cap, commutator end	48 227 04
F	Armature	45 755 09
G	Kit, drive	45 755 03
H	Kit, drive parts	47 755 13

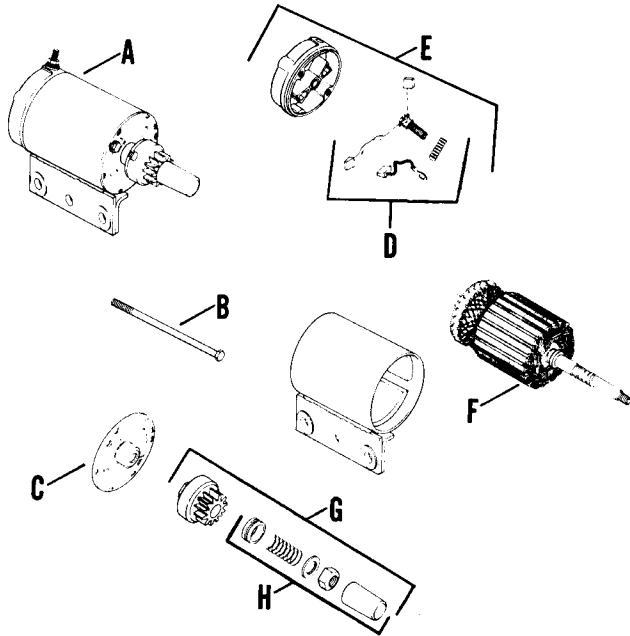


BENDIX DRIVE

ELECTRIC START **11**

11 ELECTRIC START

BENDIX DRIVE



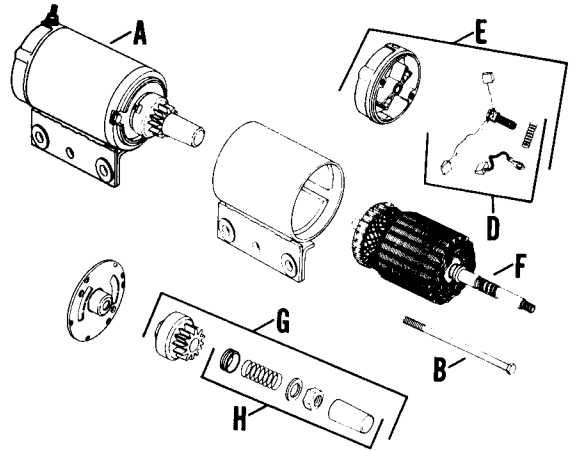
Index Letter	Description Variation Number	Part Number
--------------	------------------------------	-------------

Use stock of original part number before ordering replacement.

A	Starter - assembly (high mount) (12507-29-M030SM) (Includes B thru H)	45 098 05
B	Bolt, thru w/washer (2)	237649
C	Cap, D.E.	237650
D	Kit, brush	48 755 15
E	Cap, commutator end	48 227 04
F	Armature	45 170 02
G	Kit, drive	47 755 07
H	Kit, drive parts	47 755 13

Index Letter	Description Variation Number	Part Number
--------------	------------------------------	-------------

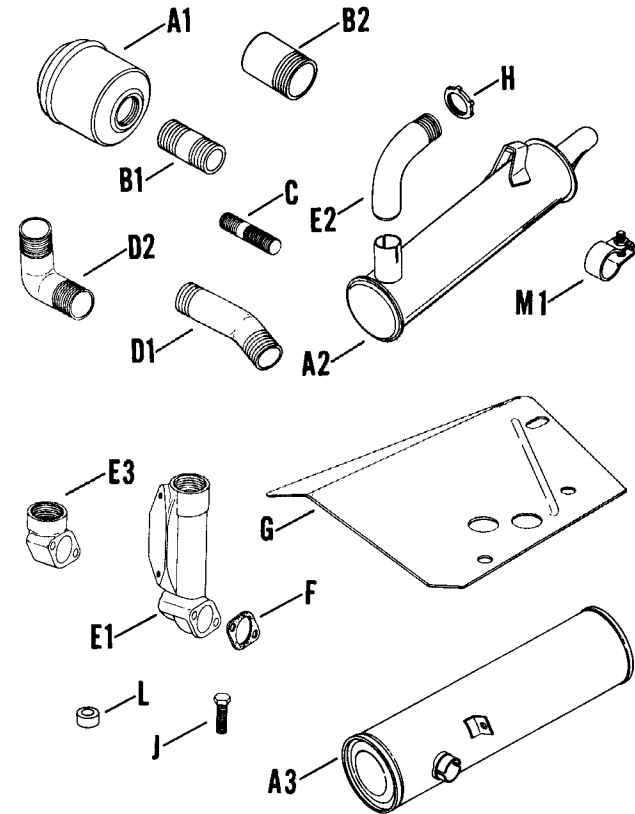
A	Starter - assembly (14925-27-M030SM) (Includes B thru H)	45 098 06
B	Bolt, thru w/washer (2)	237649
C	Bracket and cap, D.E.	237650
D	Kit, brush	48 755 15
E	Cap, commutator end	48 277 04
F	Armature	45 170 02
G	Kit, drive (Includes H)	47 749 02
H	Kit, drive parts	47 755 13



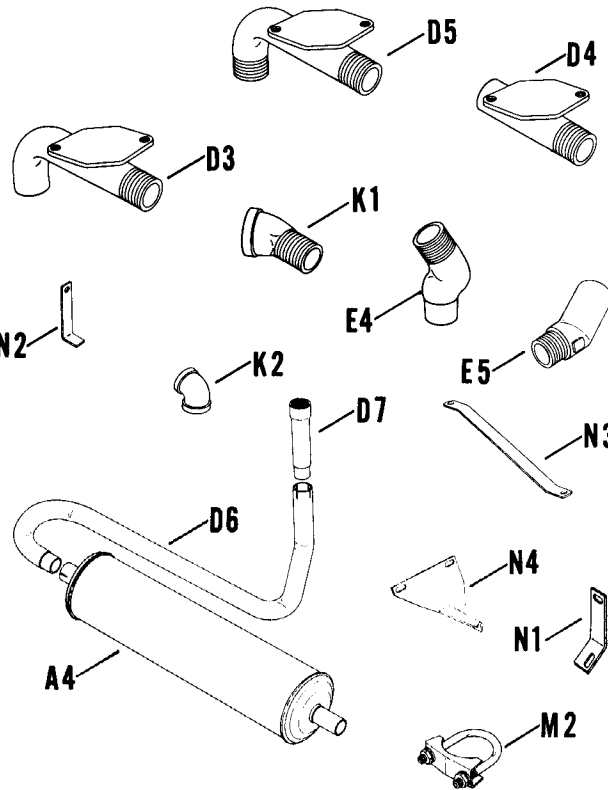
BENDIX DRIVE

ELECTRIC START 11

12 EXHAUST



Index Letter	Description Variation Number	Part Number
B2	Pipe 1 I.P. x 2-1/4 27	X-229-11
	Pipe 1 I.P. x 2-1/2 33	X-229-1
C	Stud (2) 3	235899
D1	Pipe, exhaust 5, 7, 904	235194
D2	Pipe, exhaust 10, 11, 19	231820
D3	Pipe, exhaust 20, 23, 24, 903	237129
D4	Pipe, exhaust 21, 902	237113
D5	Pipe, exhaust 30	237527
D6	Pipe, exhaust 903	237603
D7	Pipe, exhaust 903	237608
E1	Elbow, exhaust 2, 10, 28, 31, 901	235166
E2	Elbow, exhaust 8, 14, 25, 34	235692
E3	Elbow, exhaust 12	236268



Index Letter	Description Variation Number	Part Number
--------------	---------------------------------	-------------

Use stock of original part number before ordering replacement.

A1	Muffler 1, 5, 6, 9, 10, 11, 13, 29, 900, 901, 904	275679
A2	Muffler 8, 25, 34	237550
A3	Muffler (Discontinued--Not Available) 902	233518
A4	Muffler 903	237485
B1	Pipe 1 I.P. x 3 (Replaced by 41 136 02) 1, 6, 29	X-218-22
	Pipe 1 I.P. x 3 (Discontinued--Not Available) 9	237097
	Pipe 1 I.P. x 2-1/2 13	X-218-23
	Pipe 1 I.P. x 9 28	X-218-5
	Pipe 1 I.P. x 4-1/2 28	X-218-10

EXHAUST

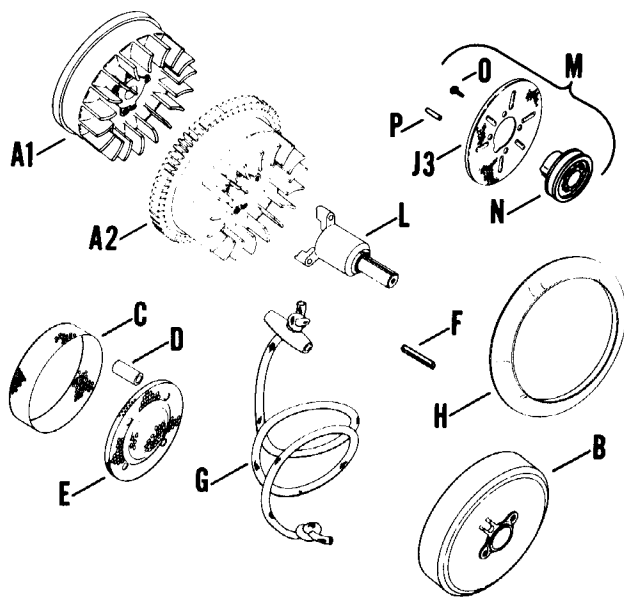
Index Letter	Description Variation Number	Part Number
E4	Elbow, exhaust 39	47 054 01
E5	Elbow, exhaust 42	47 054 02
F	Gasket, exhaust 2, 9, 10, 12, 28, 31, 901	235122
G	Baffle, heat 8, 25, 34	237679
H	Nut, lock 5, 7, 10, 11, 13, 14, 19, 20, 21, 23, 24, 25, 30, 34, 39, 42, 902, 903, 904	AC-1536
J	Screw, hex. hd. 15/16 - 18 x 2-1/4 9	230578
K1	Elbow, street 13, 29	231441
K2	Elbow, pipe 1 28	X-215-15
L	Spacer 25, 34	X-400-72
M1	Clamp, muffler 25, 34, 902	237543
M2	Clamp, muffler 903	237548
N1	Bracket, mounting 902	233520
N2	Bracket, muffler mounting (Discontinued--Not Available) 903	237609
N3	Bracket, muffler (Discontinued--Not Available) 903	237642
N4	Bracket, muffler mounting 903	237605

Index Letter	Description Variation Number	Part Number
--------------	---------------------------------	-------------

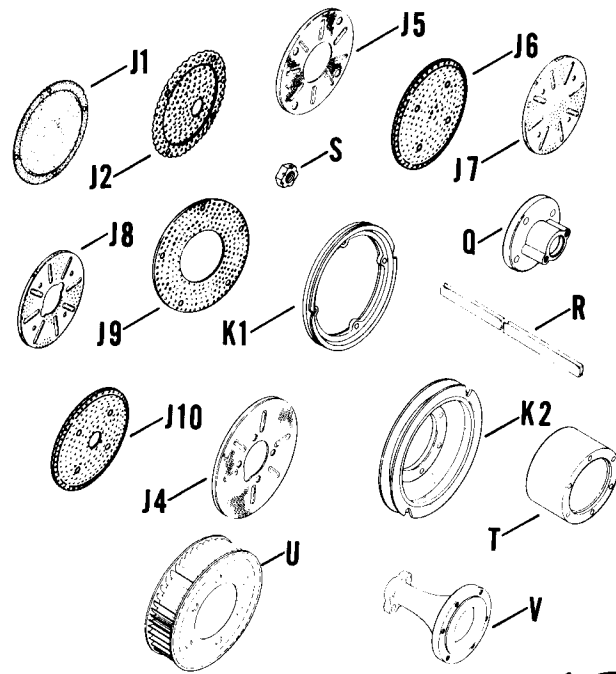
Use stock of original part number before ordering replacement.

A1	Flywheel 1, 13, 26, 29, 102, 111, 200	A-235908
	2, 6, 11, 17, 34, 108, 112	235818
	5	235841
	9	A-235928
	14, 24	235432
	18, 21, 39, 131	A-235978
	20	A-235734
	32, 47, 153	A-236345
	37, 58, 82	A-236252
	42	235464
	76	A-236999
	137	A-237655
	141	237893
	158, 160	A-237435
	Flywheel 3, 8, 31	237297
	Flywheel 12	47 755 02
A2	Flywheel - assembly 33, 51, 62, 69, 73, 77, 85, 90, 91, 121	47 025 11
	Flywheel - assembly 36, 61	47 025 10
	Flywheel - assembly 40	A-236543
	43	47 025 12
	48, 147	A-236707
	50	A-236678
	65, 96	A-236286
	86	A-236773
	98	A-237123
	Flywheel - assembly (Replaced by 47 025 18)	A-237385
	128	A-237385
	Flywheel - assembly (Replaced by 47 025 17)	A-237803
	143	A-237803
	Flywheel - assembly (Replaced by 47 025 23)	47 025 06
	151	47 025 24
	155	47 025 24
	Flywheel - assembly (Replaced by 47 025 22)	47 025 05
	156	47 025 05
	164, 188	47 025 28

13 FLYWHEEL



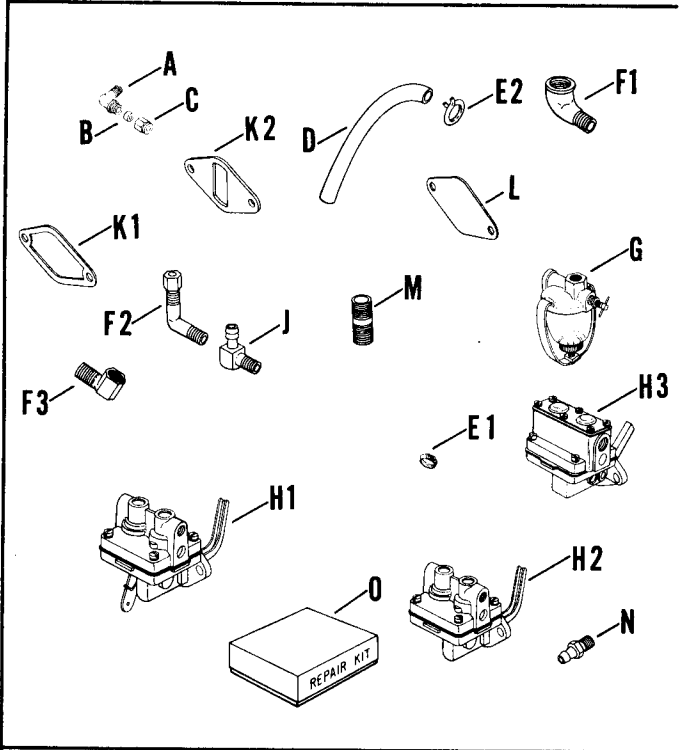
Index Letter	Description Variation Number	Part Number
	168	47 025 44
	170	47 025 24
	174	47 025 41
	178	47 025 42
	Flywheel - assembly	
	71	47 025 13
	81	47 025 12
	Flywheel - assembly (Replaced by 47 025 28) 103, 115, 116, 117, 120, 123, 124, 126, 127, 134, 154	47 025 08
	Flywheel - assembly (Replaced by 47 025 29) 73, 106	47 025 09
B	Flywheel 144	A-235589
C	Screen, cylinder 31	231988
D	Spacer (4) 31	X-400-35
E	Cover, screen 31	231989
F	Key (Replaced by X-286-17) ALL (except 12, 14, 24, 42, 86, 144)	X-286-15
	Key (Use X-286-15 after engine serial no. 5071832) 12, 14, 24, 42, 86, 144	X-366-1
G	Rope ALL	A-230099
H	Ring, air inlet 26, 47	236557
J1	Screen, grass 1, 3, 9, 26, 32, 33, 34, 39, 40, 47, 48, 62 98, 103, 137, 154, 158	235208
	14, 42, 141	235462
J2	Screen, grass 2, 6, 17, 18, 21, 69, 112, 131	235052
	120, 121, 155, 170	237029
J3	Screen, grass 12	235190
J4	Screen, grass 13	47 162 02
J5	Screen, grass 20	235689
	29	47 162 05
	76, 111, 153	47 162 02
	Screen, grass 126	47 162 04
	Screen, grass 168	47 162 10
J6	Screen, grass 50, 71, 73, 96, 123, 127, 134, 143, 147, 178	236688
J7	Screen, grass 51, 65, 91, 117	47 162 03



FLYWHEEL **13**

Index Letter	Description Variation Number	Part Number
J8	Screen, grass 77, 115, 174, 188	237372
J9	Screen, grass (Use 237377 after engine serial no. 435183) 102, 160, 200	237250
J10	Screen, grass 151	237284
K1	Pully, electric start (Single groove) 1, 2, 3, 6, 8, 9, 11, 17, 18, 21, 26, 31, 32, 33, 34, 36, 39, 40, 47, 48, 61, 62, 69, 85, 96, 98, 103, 106, 108, 112, 124, 131, 137, 154, 158	235207
	14, 24, 42, 141	235784
K2	Pulley, rope start 82, 144	235752
L	Shaft, front drive 2, 18, 69	235226
	6	235556
	11, 21, 85, 124	235377
	164	47 144 01
	17	235954
	112, 126, 155	237350
	Shaft, front drive (Discontinued--Not Available) 131	237506

Index Letter	Description Variation Number	Part Number
M	Cup and screen - assembly (Replaced by 41 071 05) (Includes J3, N, O & P) 12	A-235189
N	Cup, drive 12, 151	231817
O	Screw, self tap #8 - 32 x 1/4 (4) 12	X-67-41
P	Pin, dowel 12, 151	X-56-7
Q	Adapter, front drive 77, 115, 174, 188	237373
R	Channel, rubber (Not used after engine serial no. 4352183) 102, 160, 200	X-532-2
S	Nut, lock 5/8 - 18 ALL (except 144)	X-119-14
	Nut, hex 3/4 - 16 144	X-89-11
T	Spacer, pulley (Discontinued--Not Available) 144	235144
U	Rotor 37	275814
	58, 82	277227
	Rotor (Discontinued--Not Available) 144	235099
V	Support, rotor 37	236592
	Support, rotor 58, 82, 144	236593



Index Letter	Description Variation Number	Part Number
--------------	---------------------------------	-------------

Use stock of original part number before ordering replacement.

A	Elbow (Copper, fuel line only) 1, 3, 10, 12, 13, 25, 27, 29, 31, 34, 35	231510
B	Sleeve (Copper fuel line only) 3, 10, 12, 13, 25, 27, 29, 34, 35	220547
	Sleeve (2) 31	220547
C	Nut (Copper fuel line only) 3, 10, 12, 13, 25, 27, 29, 34, 35	220786
	Nut (2) 31	220786
D	Line, fuel (Pump to carburetor) 5" rubber (Copper fuel line - 235097) ALL (except 4, 30, 47)	X-697-1
	Line, fuel (Pump to carburetor) 5 1/2" rubber (Replaced by X-386-25) 30	X-386-42
	Line, fuel 6-1/2" rubber 47	X-697-5
	Line, fuel 50	X-807-6

Index Letter	Description Variation Number	Part Number	Index Letter	Description Variation Number	Part Number
E1	Clamp, hose (2) (Rubber fuel line only) 1, 3, 20, 28, 30, 32, 35, 39, 45, 46, 48, 49 50, 52, 53, 58, 59, 60	X-426-9	K	Gasket, fuel pump ALL (except 45)	47 041 04
	Clamp, hose 47	X-426-9		Gasket, fuel pump 45	277649
E2	Clamp, hose (2) (Rubber fuel line only) 2, 5, 6, 8, 9, 10, 12, 13, 15, 16, 19, 21, 25 26, 27, 29, 31, 33, 34, 42, 43	X-426-9	L	Cover, pump pad 4	240282
F1	Elbow, street 1/8 - 90° 3, 8, 13, 19, 20, 25, 27, 28, 29, 35	X-211-10	M	Nipple 1/8 x 1 3, 8, 19, 25, 27, 28, 29, 30, 35	X-217-7
	Elbow, street 1/8 x 45° 39	X-274-4		Nipple 1/8 x 2-1/2 20, 39	167196
F2	Elbow 90° 20, 25, 28	A-822	N	Connector 47	X-380-2
F3	Elbow, street 1/8 x 90° 30	X-555-2	O	Repair kit (Use only with pumps having letter "B" stamped on body) (Incl. diaphragm, diaphragm spring, valve assembly, valve gasket and pulsator diaphragm 1, 2, 3, 5, 6, 8, 10, 12, 13, 19, 20, 21, 25, 26, 27, 28, 29, 30, 31, 32, 33, 34, 35, 39, 42, 43, 47	230675 236387
G	Filter, fuel (Refer to Index M, Group 15 for assembly details) 3, 19, 20, 25, 27, 28, 29, 30, 35, 36, 39	A-210101			
H1	Pump, fuel (With prime lever) 1, 3, 5, 6, 8, 10, 13, 19, 27, 28, 31, 33, 34, 35, 39, 43	A-235807	FUEL TANK 15		
	Pump, fuel (With prime lever) 53	47 599 01			
H2	Pump, fuel (Without prime lever) 2, 12, 20, 21, 25, 26, 29, 30, 32, 42, 60	A-235845			
	47	47 393 08			
H3	Pump, fuel (Without prime lever) 9, 45	A-236205			
	46	47 393 04			
	Pump, fuel (Without prime lever) (Use 47 393 04 after engine serial no. 7216098) 15	A-236205			
	Pump, fuel (Without prime lever) 48, 49, 50, 52, 59	47 559 04			
	Pump, fuel (Without prime lever) 51, 58	47 559 02			
	Pump, fuel (With prime lever) 16	A-236380			
J	Elbow, hose 90° 1/4" I.D. hose 1, 3, 5, 8, 10, 12, 15, 20, 21, 25, 27, 28, 29, 32, 34, 35, 39, 46, 47	X-391-1			
	Elbow, hose (2) 2, 6, 9, 13, 16, 19, 26, 30, 32, 33, 42, 43, 45	X-391-1			
	Elbow, hose 90° 3/16" I.D. hose (Use X-391-1 prior to engine serial no. 5155716) 32	X-391-11			

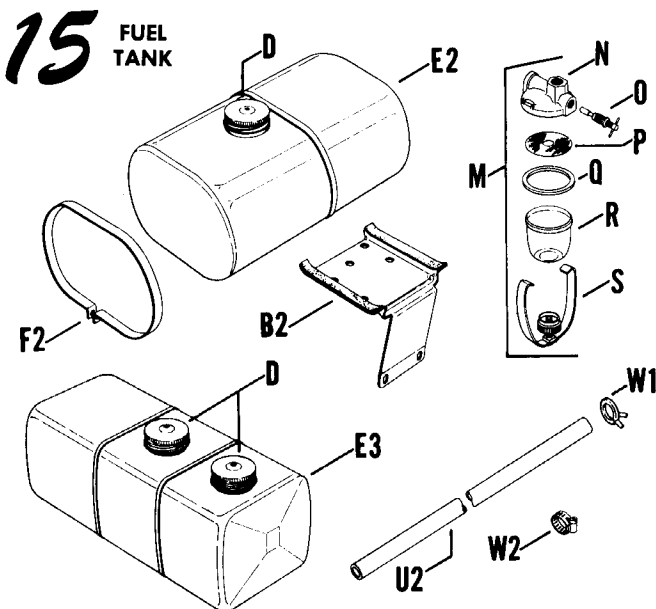
Index Letter	Description Variation Number	Part Number	Index Letter	Description Variation Number	Part Number
	Use stock of original part number before ordering replacement.				
A1	Bracket, upper tank (Replaced by 45 217 02) 1, 3, 9, 10, 11, 14, 15, 21, 27, 29, 37, 42	236935	E1	Tank, fuel 1.5 gallon (Includes cap) 1, 3, 9, 10, 11, 14, 15, 17, 21, 24, 26, 28, 29, 36, 37, 41, 42, 43, 44, 45, 48, 49, 51, 57, 59, 500, 501	235164
	Bracket, upper tank 16, 17, 20, 30	237166		Tank, fuel 1,5 gallon (Includes cap) 56	47 065 02
	25	237170		Tank, fuel 2,8 gallon (Includes cap) 16, 20, 25, 30	236684
	Bracket, upper tank (Replaced by 45 217 02) (Use 45 217 01 after engine serial no. 3184999) 24, 28, 36	236935	E2	Tank, fuel 1.7 gallon (Includes cap) 5	235370
	Bracket, upper tank (Use 237634 after engine serial no. 3184999) 26	45 217 02		Tank, fuel 2,0 gallon (Includes cap) 6, 22, 27	235935
A2	Bracket, upper tank 34, 41, 51	45 217 01	E3	Tank, fuel (Gas/Kerosene) (Includes caps) 54	41 065 01
	Bracket, upper tank (Use 45 217 02 prior to engine serial no. 3185000) 43, 44, 45, 48, 49, 500, 501	47 217 01	F1	Strap (2) (Includes X-5-26 screw & X-101-8 nut) 1, 3, 9, 10, 11, 14, 15, 17, 21, 24, 26, 28, 29, 36, 37, 41, 42, 43, 44, 45, 48, 49, 51, 500, 501	237639
	Bracket, upper tank 56, 57, 59	45 066 03		Strap (2) (Includes X-5-26 screw & X-101-8 nut) 16, 20, 25, 30	237640
	Bracket, upper tank assembly (Includes webbing) 56, 57, 59	47 217 10	F2	Strap (2) (Includes X-776-1 screw & X-101-8 nut) 5, 54	A-236938
B1	Bracket, lower tank (Replaced by 47 217 11) 1, 3, 9, 10, 11, 14, 15, 21, 24, 26, 27, 28 29, 36, 37, 41, 42, 44, 48, 51, 500	236934		Strap (2) (Includes X-776-1 screw & X-101-8 nut) 6, 22, 27	A-236942
	16, 17, 20, 30	A-237167	G	Nipple 1/8 3, 16, 20, 35	X-217-7
	25	237169		5, 6, 22	X-217-6
	Bracket, lower tank 56, 59, 501	47 066 02	H	Connector 5, 15, 21, 37	231509
	Bracket, lower tank assembly (Includes webbing) 56, 59	47 217 11	J	Elbow, compression 3, 16, 20	231510
B2	Bracket 5, 54	236939	K	Sleeve (2) 1, 3, 5, 6, 9, 10, 14, 15, 16, 17, 18, 20, 21, 37	220547
	6, 22, 27, 33	236943	L	Nut (2) 1, 3, 5, 6, 9, 10, 14, 15, 16, 17, 18, 20, 21, 37	220786
C1	Valve, fuel (Use 47 462 01 after engine serial no. 5155715) 1, 9, 10, 11, 14, 17, 24, 25, 28, 29, 30, 36 41, 42, 43, 44, 45, 48, 49, 51, 500, 501	220764	M	Filter, fuel - assembly (Includes N thru S) 3, 5, 6, 16, 20, 22	A-210101
	Valve, fuel 56, 57, 59	47 462 01	N	Top, filter 3, 5, 6, 16, 20, 22	210478
	Valve, fuel (2) 54	220764	O	Valve, needle 3, 5, 6, 16, 20, 22	A-210480
C2	Valve, 3-way 54	46 462 02	P	Screen, filter 3, 5, 6, 16, 20, 22	210468
D	Cap, tank 1, 3, 6, 11, 15, 20, 41, 42, 44, 45, 501	236655	Q	Gasket, filter 3, 5, 6, 16, 20, 22	210468
	5, 9, 10, 14, 16, 17, 21, 22, 24, 25, 26, 27 28, 29, 30, 36, 37, 43, 48, 49, 51, 500	220956	R	Bowl, glass 3, 5, 6, 16, 20, 22	210467
	Cap, tank (2) 54	236655	S	Ball 3, 5, 6, 16, 20, 22	A-210477

Index Letter	Description Variation Number	Part Number
T	Clip 11	X-414-2
U1	Line, fuel 22 copper 1, 3, 9, 10, 14	X-294-5
	Line, fuel 6 steel 5, 6	235372
	Line, fuel 27 copper (Discontinued--Not Available) 15, 17, 21, 37	X-294016
	Line, fuel 19-1/2 copper 16, 20	X-294-9
U2	Line, fuel 6-1/2 rubber 6, 22	X-697-5
	Line, fuel 20-1/2 rubber 11	X-386-48
	Line, fuel 20 rubber 24, 25, 26, 28, 29, 36, 41, 42, 43, 44, 45, 48, 49, 51, 56, 57, 59, 500, 501	X-788-1
	Line, fuel 18 rubber (Replaced by X-788-2) 30	X-788-2
	Line, fuel 10-1/2 rubber 54	X-386-1
	Line, fuel 15 rubber 54	X-386-22
	Line, fuel 6-1/4 rubber (Replaced by X-386-25) 54	X-386-31
V	Connector 6, 22	X-380-1
W1	Clamp, hose (2) (Use X-426-9 on engines with serial no. 5155716 thru 6173177--engines after serial no. 6173117 do not require clamps) 6, 22, 24, 25, 26, 28, 29, 30, 36, 41, 42, 43, 44, 45, 48, 49, 51, 500, 501	X-426-9
	Clamp, hose (6) 54	X-426-9

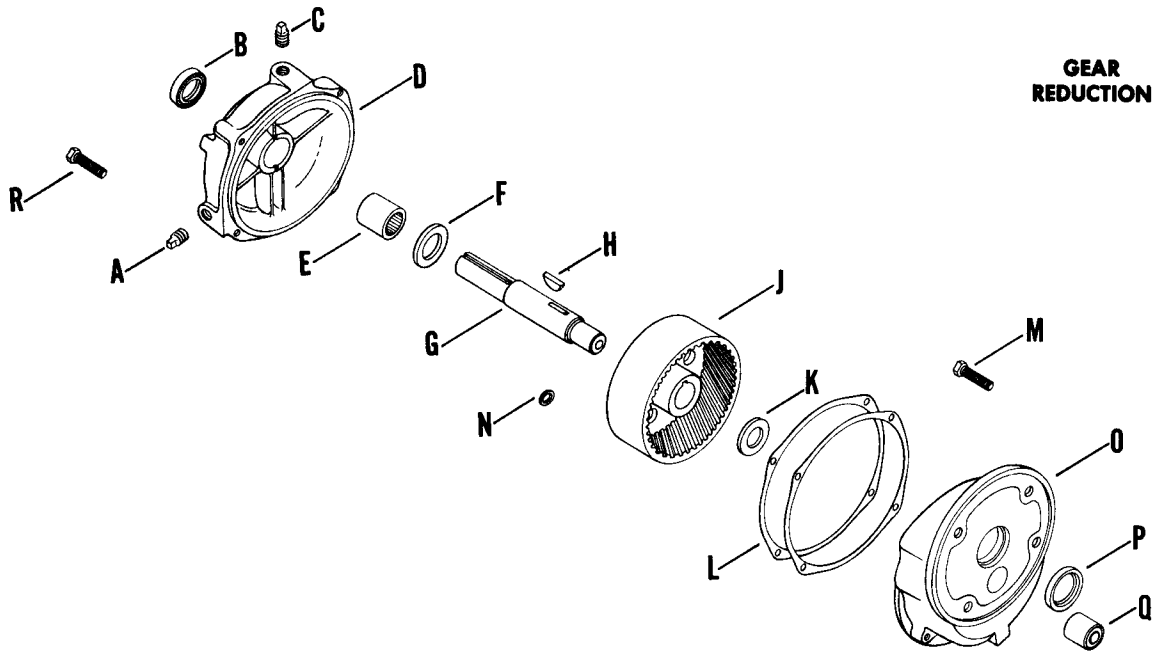
Index Letter	Description Variation Number	Part Number
X	Spacer (2) 44, 51	X-400-89
Y	Bracket, valve 54	46 126 01
Z	Webbing (2) 56, 57, 59	X-295-35
	Webbing (2) 56, 59, 501	X-295-25

GEAR REDUCTION **16**

Index Letter	Description Variation Number	Part Number
A	Plug, pipe 1/4 (2) 1 2	X-75-2 X-75-2
B	Seal, oil 1, 2	X-379-7
C	Plug, vent 1, 2	205013
D	Cover, reduction 1 2	235534 235244
E	Bearing, needle 1, 2	235250
F	Washer, thrust 1, 2	235247
G	Shaft 1, 2	235249
H	Key, woodruff #13 1, 2	X-46-3
J	Gear (Discontinued--Not Available) 1 Gear 2	235535 235245
K	Washer, thrust 1, 2	235248
L	Gasket .03125 1 Gasket .03125 (A.R.) 2 Gasket .005 1 Gasket .015 (A.R.) 1 2 Gasket .020 (A.R.) 1 2	235537 230218 235538 236651 234497 236652 234498
M	Screw, hex. hd. 3/8 - 16 x 1 (4) 1, 2	270677
N	Washer, copper 25/64 I.D. x 5/8 O.D. x 1/16 (2) 1 Washer, plain 13/32 I.D. x 11/16 O.D. x 1/16 (2) 2	S-368 X-25-67

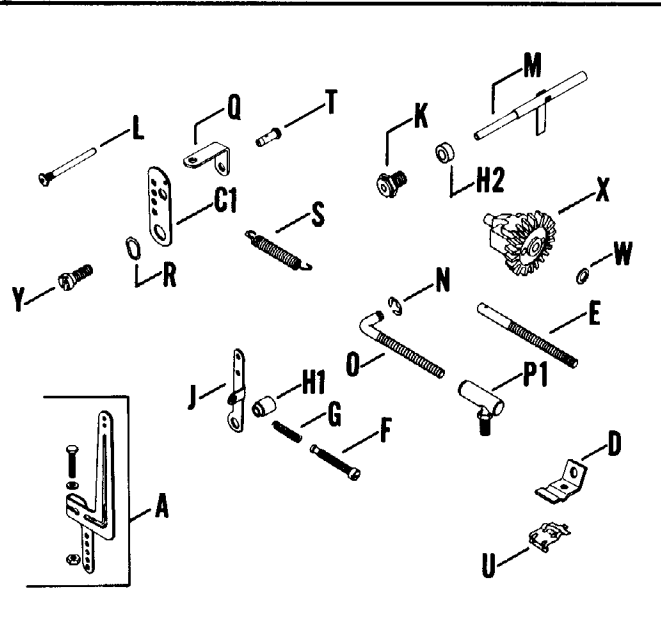


Index Letter	Description Variation Number	Part Number	Index Letter	Description Variation Number	Part Number
O	Housing, gear		Q	Bearing, shaft	
	1	235533		1	
	2	235243		Bearing, needle	
P	Seal, oil		2		235251
	1	235531	R	Screw, hex. hd. 5/16 - 18 x 1-1/2 (8)	
2	X-271-30	1			230175
				Screw, hex. hd. 5/16 - 18 x 2 (4)	
			2		X-6-29



GEAR REDUCTION **16**

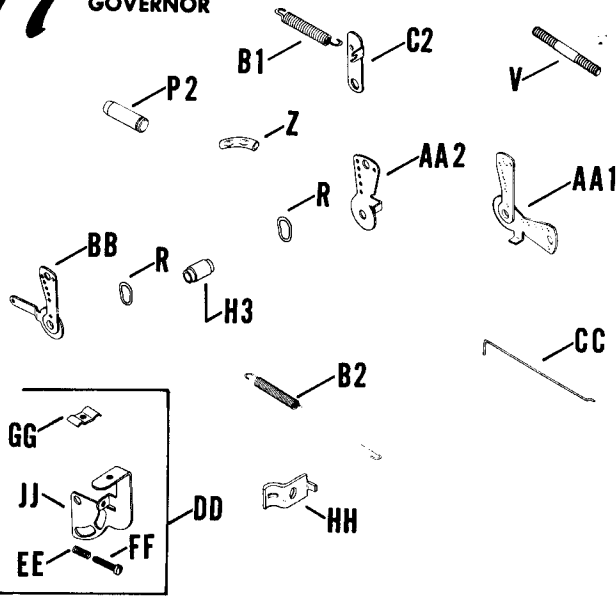
GOVERNOR **17**



Index Letter	Description Variation Number	Part Number
Use stock of original part number before ordering replacement.		
A	Lever, governor	
	(Includes 1 screw X-776-1, 1 washer X-25-72 and 1 nut X-81-1)	
	1, 2, 3, 5, 6, 7, 8, 10, 11, 12, 14, 15, 16, 17, 18, 20, 21, 22, 23, 24, 25, 26, 27, 28, 34, 37, 38, 41, 46, 56, 58, 500	A-237653
	32, 33, 45, 47, 51	45 087 03
B1	Spring, governor	
	1, 2, 3, 6, 7, 10, 11, 12, 14, 16, 17, 20, 21, 22, 23, 25, 26, 27, 28, 34, 38, 41, 56, 58, 500	235496
	5, 8, 15, 37, 55	235495
B2	Spring, governor	
	32, 33, 45, 47, 51	47 091 01

Index Letter	Description Variation Number	Part Number	Index Letter	Description Variation Number	Part Number
C1	Bracket, speed control 1, 2, 3, 5, 6, 8, 10, 11, 15, 16, 22, 25, 26, 27, 28, 34, 37, 38, 41, 58, 500	235086	O	Rod, ball joint 1, 2, 5, 6, 7, 8, 10, 12, 16, 17, 18, 21, 22, 23, 24, 25, 26, 27, 28, 32, 33, 34, 37, 38, 41, 45, 47, 51, 55, 500	235277
	7, 23	236249		Rod, ball joint (2) 3, 11, 15	235277
C2	Bracket, speed control 14, 17, 20, 24	236413	P1	Ball joint (Replaced by 237130) 1, 2, 3, 6, 7, 8, 10, 11, 12, 15, 17, 18, 21, 23, 24, 25, 26, 27, 28, 500	275868
D	Bracket, throttle (Includes 235603 clip) 10, 23, 25, 26, 58, 500	A-237559		Ball joint 5, 16, 18, 20, 37, 38, 41	237130
E	Rod, speed control 12	236258		22	275062
F	Screw, adjusting 14, 17, 20, 24	237574		Ball joint (2) 14	237130
G	Spring 14, 17, 20, 24	237573	P2	Ball joint 32, 33, 34, 45, 47, 51, 55, 500	45 208 03
H1	Spacer 1, 2, 3, 6, 7, 8, 10, 11, 15, 22, 23, 25, 26, 27, 28, 34, 41, 58, 500	235085	Q	Bracket, adjusting screw 1, 2, 3, 5, 6, 7, 8, 10, 11, 12, 15, 16, 23, 25, 26, 27, 28, 34, 37, 38, 41, 58, 500	235084
	5, 16, 37, 38	45 112 01	R	Washer, tension 1, 2, 3, 5, 6, 7, 8, 10, 14, 15, 16, 17, 20, 22, 23, 24, 25, 26, 27, 28, 34, 37, 38, 41, 58, 500	275690
	14, 17, 20, 24	236415		Washer, tension (2) 11, 32, 33, 45, 47, 51	275690
H2	Spacer (Use only on engines after serial no. 3173783) 1, 2, 3, 5, 6, 7, 8, 10, 11, 12, 14, 15, 16, 17, 18, 20, 21, 22, 23, 24, 25, 26, 27, 28, 32, 33, 34, 37, 38, 41, 45, 46, 47, 51, 55, 56, 58, 500	X-400-80		Washer, tension (3) 45	275690
			S	Spring 12, 24	236261
H3	Spacer 32, 33, 45, 47, 51	47 112 02		28	152631
	45	47 112 03		55	230117
J	Lever, adjusting screw 14, 17, 24	237833	T	Clamp, swivel wire 1, 7, 8, 10, 23, 25, 26, 27, 33, 34, 41, 500	48 237 01
	Lever, adjusting screw 20	237069		51	48 755 10
K	Bushing 1, 2, 3, 5, 6, 7, 8, 10, 11, 12, 14, 15, 16, 17, 18, 20, 21, 22, 23, 24, 25, 26, 27, 28, 32, 33, 34, 37, 38, 41, 45, 46, 47, 51, 55, 56, 58, 500	235476	U	Clip 10, 23, 25, 26, 55, 58, 500	235603
L	Pin, governor stop 1, 2, 3, 5, 6, 7, 8, 10, 11, 12, 14, 15, 16, 17, 18, 20, 21, 22, 23, 24, 25, 26, 27, 28, 32, 33, 34, 37, 38, 41, 45, 46, 47, 51, 55, 56, 58, 500	231355	V	Rod, throttle 5, 14, 16, 20, 37, 38	235078
M	Kit, governor cross shaft (Includes X-400-80 spacer) (Use 237455 shaft after engine serial no. 3173783) 1, 2, 3, 5, 6, 7, 8, 10, 11, 12, 14, 15, 16, 17, 18, 20, 21, 22, 23, 24	A-235256	W	Washer, thrust (Use with nylon gear) (Use X-25-67 with steel gear) 1, 2, 3, 5, 6, 7, 8, 10, 11, 12, 14, 15, 16, 17, 18, 20, 21, 22, 23, 24, 26, 27, 28, 32, 33, 34, 37, 38, 41, 45, 46, 47, 51, 55, 56, 58	237022
	Shaft, governor cross 25, 26, 27, 28, 32, 33, 34, 37, 38, 41, 45, 46, 47, 51, 55, 56, 58, 500	237455	X	Kit, governor gear (Includes W) 1, 2, 3, 6, 7, 8, 10, 11, 14, 15, 17, 18, 20, 21, 22, 23, 24, 26, 27, 28, 32, 33, 34, 41, 45, 46, 47, 51, 58	A-235743-S
N	Retainer, rod 1, 2, 5, 6, 7, 8, 10, 12, 16, 17, 18, 21, 22, 23, 24, 25, 26, 27, 28, 32, 33, 34, 37, 38, 41, 45, 46, 47, 51, 55, 56, 58, 500	235278		5, 12, 16, 37, 38	A-236294-S
	Retainer, rod (2) 3, 11, 15	235278	Y	Screw, shoulder #10 - 24 x 1/2 3, 5, 11, 12, 15, 16, 37, 38, 55	235477
			Z	Damper, spring 37, 38, 55	45 263 01

17 GOVERNOR



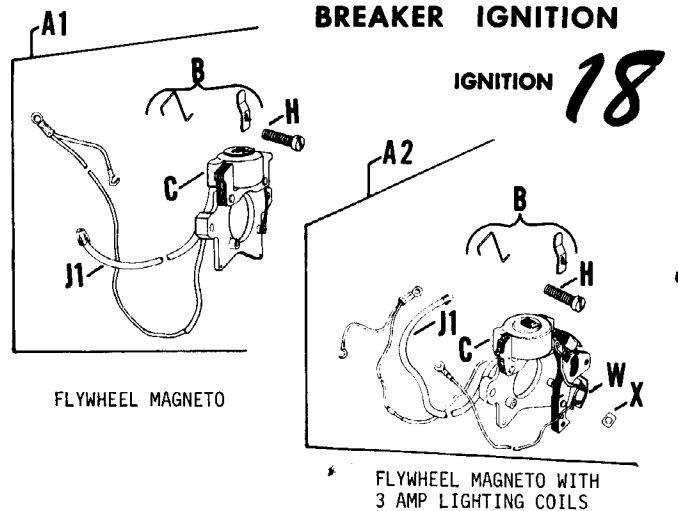
Index Letter	Description Variation Number	Part Number
AA1	Lever, throttle control 32, 47, 51	47 090 08
	45	47 090 09
AA2	Lever, throttle control 33	47 090 04
	47, 51	47 090 10
BB	Lever, choke control 32, 45, 47, 51	47 090 07
	33, 47, 51	47 090 06
CC	Linkage, choke 32, 33, 47, 51	47 079 01
DD	Bracket, control - assembly (Includes EE, FF, & GG) 32	47 217 06
	33, 47, 51	47 217 05
	45	47 217 09
EE	Screw, adjusting 32, 33, 45, 47, 51	232555
FF	Spring 32, 33, 45, 47, 51	232556
	32, 33, 47, 51	47 237 02
GG	Clamp	47 237 02
HH	Clamp, control 45	235778
	45	47 126 12
JJ	Bracket, choke 47, 51	47 126 09
	Bracket, choke 45	47 126 12
	Bracket, choke 45	47 126 13
	Bracket, choke 45, 56	47 126 14

IGNITION 18

Index Letter	Description Variation Number	Part Number
--------------	---------------------------------	-------------

Use stock of original part number before ordering replacement.

A1	Stator, magneto - assembly (Includes B, C, H, & J1) 1, 27, 35, 40, 60, 78, 84, 144, 167	A-235741
	Stator, magneto - assembly (Includes B, C, & J1) 26, 36, 157, 178, 182, 501	47 085 05
A2	Stator, magneto - assembly (Includes B, C, H, & J1) (Use 47 085 05 on engine spec suffix "D") 118	A-235741
	Stator, magneto alternator - assembly (Includes B, C, H, J1, W & X) 8, 18	A-232808
A3	Stator, magneto alternator - assembly (Includes B, C, H, & J1) 47	A-236803
	Stator, magneto alternator - assembly (Includes B, C, H, & J1) 32, 33, 38, 41, 44, 45, 48	237876
A4	Stator 57	277063
	120, 121, 155, 170	237775
A5	Stator 72	237065
	75, 86, 90, 92, 100, 101, 105, 106, 108, 109, 111, 112, 113, 115, 119, 122, 126, 127, 128, 130, 131, 141, 143, 148, 151, 152, 153, 158, 161, 168, 173, 179, 181, 184, 193, 197, 204, 206, 207, 208	237878
A7	Stator, magneto - assembly (Includes Z) 186, 196	45 085 02

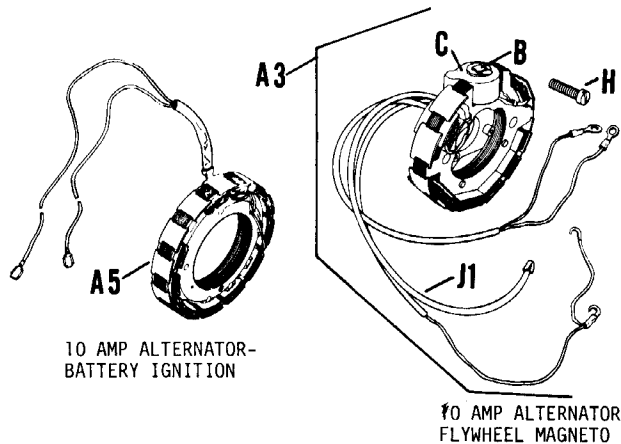


Index Letter	Description Variation Number	Part Number	Index Letter	Description Variation Number	Part Number
B	Kit, coil clip 1, 8, 18, 26, 27, 32, 33, 35, 36, 38, 40, 41, 44, 45, 47, 48, 60, 78, 84, 118, 144, 157, 167, 178, 182, 501	237919	J3	Cable, battery 501	A-236732
C	Coil 1, 8, 18, 26, 27, 32, 35, 36, 38, 40, 41, 44, 47, 48, 60, 78, 84, 118, 144, 167, 501	238059	K	Grommet 1, 8, 18, 26, 32, 33, 36, 38, 40, 41, 45, 47, 48, 60, 78, 118, 144, 157, 167, 178, 182, 501	220297
	Coil 33, 45	234422	L	Plug, spark 1, 2, 3, 6, 7, 12, 15, 16, 26, 27, 32, 33, 34, 35, 36, 38, 40, 44, 45, 47, 48, 57, 60, 72, 75, 78, 86, 90, 92, 100, 101, 105, 106, 108, 109, 111, 112, 113, 114, 115, 118, 119, 120, 122, 126, 127, 128, 130, 131, 135, 141, 144, 148, 151, 152, 157, 159, 161, 167, 168, 186, 500, 501	235040-S
	157, 178, 182	47 145 02		5, 8, 18, 84, 116, 143, 153, 155, 158, 170, 173, 178, 179, 180, 182, 184, 193, 196, 197, 206, 207, 208	235041-S
D1	Coil, ignition - 12 volt 2, 3, 5, 6, 7, 12, 15, 21, 29, 34, 72, 86, 90, 92, 100, 101, 106, 108, 109, 110, 111, 112, 113, 114, 115, 116, 120, 122, 126, 127, 128, 130, 131, 133, 141, 143, 151, 152, 153, 155, 158, 159, 161, 170, 173, 179, 180, 181, 184, 186, 193, 196, 197, 204, 206, 207	231281		21, 41, 110	235976-S
D2	Coil Ignition - 12 volt (Replaced by 231281) 105, 148	47 145 01		29, 133	235710-S
E1	Bracket, coil mounting 6	235888		181, 204	47 132 02
E2	Bracket, coil mounting (Discontinued--Not Available) 7	235563	M	Boot, spark plug 1, 8, 18, 26, 27, 32, 33, 35, 36, 38, 40, 41, 44, 45, 47, 48, 60, 78, 84, 118, 144, 157, 167, 178, 182, 501	220791
E3	Bracket, coil mounting 105	237253	N1	Connector 33, 34, 186, 196	236473
	148	47 217 07		72, 86, 105, 122	237088
F	Condenser 1, 8, 18, 26, 27, 32, 33, 35, 36, 38, 40, 41, 44, 45, 47, 48, 60, 78, 84, 105, 118, 144, 157, 167, 178, 182, 501	47 147 01	N2	Connector 128, 143, 148, 153, 161, 168, 173, 184, 207, 208	48 155 02
	2, 3, 5, 6, 7, 12, 15, 21, 29, 34, 72, 75, 86, 90, 92, 100, 101, 106, 108, 109, 110, 111, 112, 113, 114, 115, 116, 120, 122, 126, 127, 128, 130, 131, 133, 141, 143, 148, 151, 152, 153, 155, 158, 159, 161, 170, 173, 179, 180, 181, 184, 186, 193, 196, 197, 204, 206, 207, 208, 500	230722	N3	Connector 143, 153, 173, 184, 204, 208	236602
G	Backplate, coil 34, 92, 133, 143, 153, 173, 204, 208	234323	N4	Connector 130, 158, 181	237429
	Backplate, coil (Use after engine serial no. 715999) 161	234323			
H	Screw 1, 8, 18, 27, 32, 33, 35, 38, 40, 41, 44, 45, 47, 48, 60, 78, 84, 118, 144, 167, 178, 182	234423			
J1	Cable, high-tension 1, 8, 18, 26, 27, 32, 33, 35, 36, 38, 40, 41, 44, 45, 47, 48, 60, 78, 84, 118, 144, 157, 167, 501	234424			
J2	Kit, high tension lead 2, 3, 5, 6, 7, 12, 15, 21, 29, 34, 72, 75, 83, 86, 90, 92, 100, 101, 105, 106, 108, 109, 110, 111, 112, 113, 114, 115, 116, 120, 122, 126, 127, 128, 130, 133, 141, 143, 148, 151, 153, 155, 158, 159, 161, 173, 179, 180, 181, 184, 186, 193, 196, 197, 204, 206, 207, 208, 500	238057			

BREAKER IGNITION

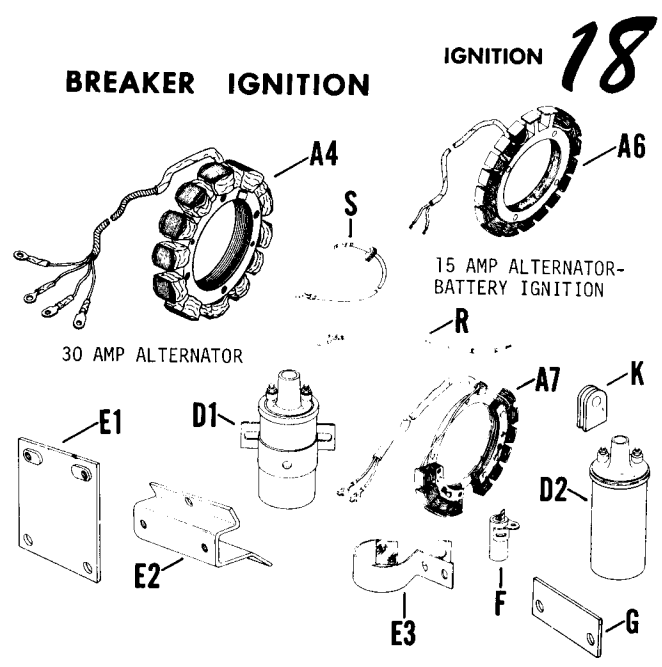
IGNITION

18



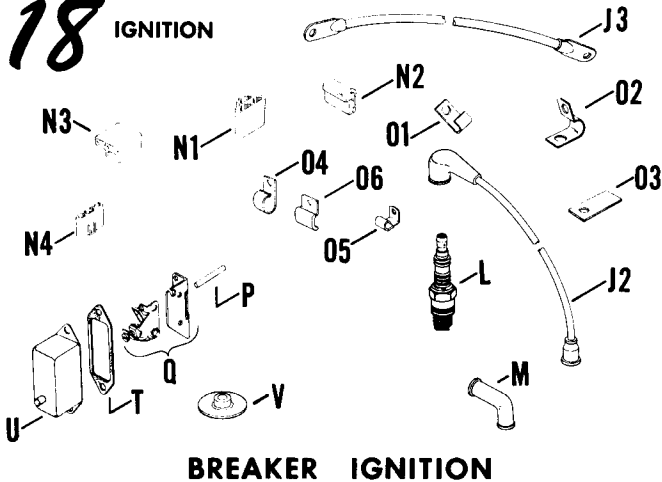
Index Letter	Description Variation Number	Part Number
O1	Clip 1, 2, 3, 5, 6, 7, 8, 12, 15, 16, 18, 21, 26, 27, 29, 32, 34, 35, 36, 38, 40, 41, 44, 45, 47, 48, 60, 72, 75, 78, 84, 86, 90, 92, 100, 101, 106, 108, 109, 110, 111, 112, 113, 114, 115, 116, 119, 120, 122, 126, 127, 128, 130, 131, 133, 134, 141, 143, 144, 148, 151, 152, 153, 155, 157, 158, 159, 161, 167, 168, 170, 173, 178, 179, 180, 181, 182, 184, 186, 193, 196, 197, 204, 206, 207, 208, 500, 501	275303
	32, 33, 38, 41, 44, 45, 47, 48, 67	236450
	Clip (Use 234531 clip on engine spec suffix "D") 118	275303
O2	Clip 1/2 wide 1, 3, 5, 6, 7, 8, 12, 18, 26, 27, 29, 32, 35, 36, 38, 40, 41, 45, 47, 48, 60, 78, 84, 118, 144, 157, 167, 178, 182, 501	275183
	Clip 7/16 wide 1, 18, 26, 27, 35, 36, 40, 60, 72, 75, 78, 84, 86, 90, 92, 100, 101, 105, 106, 108, 109, 111, 112, 113, 115, 119, 122, 126, 127, 128, 130, 131, 141, 143, 144, 148, 151, 152, 153, 158, 161, 167, 168, 170, 178, 179, 180, 181, 182, 184, 186, 193, 196, 197, 204, 206, 207, 208, 501	X-728-1
	Clip 7/16 wide (Use 275303 clip on engine spec suffix "D") 118	X-728-1
O3	Clip 8, 18, 32, 38, 41, 45, 47	232510
O4	Clip (Plastic coated) (Replaced by 47 154 01) 33	236653
	Clip 105, 112, 120, 121, 126, 127, 151, 155, 170	234511
	Clip (Plastic coated) 143, 148, 153, 161, 173, 184, 207, 208	47 154 01
	Clip (Plastic coated) 186	45 154 02
O5	Clip 114	237601
O6	Clip 120, 121, 155, 157, 170	234531
P	Rod, breaker ALL	47 411 04
Q	Breaker - assembly (Replaced by 47 150 03) ALL	47 150 01
R	Diode 186, 196	51 755 01
S	Lead, breaker 143, 153	47 125 01
T	Gasket, cover ALL	52 041 11

Index Letter	Description Variation Number	Part Number
U	Cover, breaker ALL (except 130, 143, 153, 158, 168, 170, 173, 179, 180, 181, 182, 184, 186, 193, 196, 197, 204, 206, 208)	A-220136
	Cover, breaker 130, 143, 153, 158, 168, 170, 173, 179, 180, 181, 182, 184, 186, 193, 196, 197, 204, 206, 208	232535
V	Grommet, spark plug 143, 148, 153, 161, 173, 208	47 313 01
W	Coil, generator 8, 18	232898
X	Clip, generator coil 8, 18	232899



Index Letter	Description Variation Number	Part Number
Use stock of original part number before ordering replacement.		
A1	Kit, stator 49, 53, 58, 61, 62, 64, 66, 67, 80, 82, 83, 88, 89, 103	237877
A2	Stator - assembly 74, 91, 93, 94, 95, 97, 99, 102, 104	237879
B	Kit, high tension lead 49, 53, 58, 61, 62, 64, 66, 67, 74, 80, 82, 83, 88, 89, 91, 93, 94, 95, 99, 102, 103, 104	238057
C	Plug, spark 49, 53, 58, 61, 62, 66, 67, 74, 80, 82, 83, 88, 89, 91, 93, 94, 95, 99, 102, 103, 104	235040-S
	64, 97	235976-S

18 IGNITION



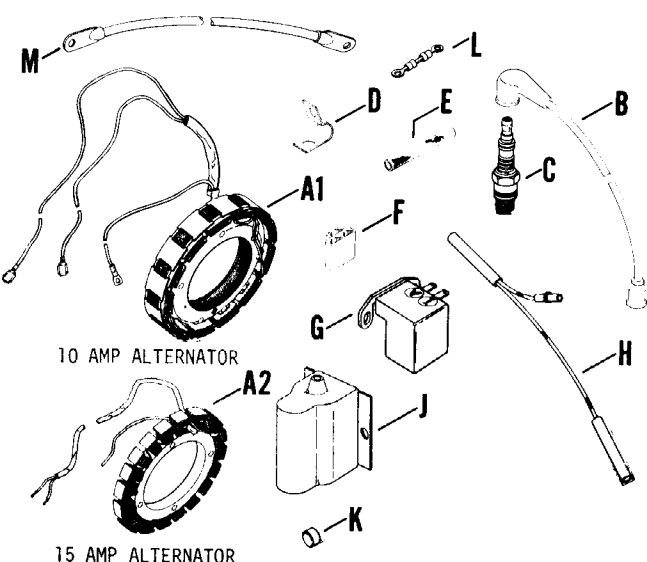
BREAKER IGNITION

Index Letter	Description Variation Number	Part Number
D	Clip 7/16 wide 49, 53, 58, 61, 62, 64, 66, 74, 80, 82, 83, 88, 89, 91, 93, 94, 95, 97, 99, 102, 103, 104	X-728-1
	Clip 1/2 wide 62	275183
E	Sleeving 49, 53, 58, 61, 62, 64, 66, 67, 74, 80, 82, 83, 89, 91, 93, 94, 95, 97, 99, 102, 103, 104	X-715-3

Index Letter	Description Variation Number	Part Number
F	Block terminal 61, 91, 103, 104	236473
G	Trigger 49, 53, 58, 61, 62, 64, 66, 67, 74, 80, 82, 83, 88, 89, 91, 93, 94, 95, 97, 99, 102, 103, 104	A-237339
H	Lead, trigger 49, 53, 58, 64, 74, 80, 83, 93, 97, 102	236814
	62, 88, 89, 95, 99	237105
	66, 67, 82, 94	237125
	Lead, trigger 104	237058
J	Coil, ignition 49, 53, 58, 61, 62, 64, 66, 67, 74, 80, 82, 83, 88, 89, 91, 93, 94, 95, 97, 99, 102, 103, 104	236826
K	Plug, cap 49, 53, 58, 61, 62, 64, 66, 67, 74, 80, 82, 83, 88, 89, 91, 93, 94, 95, 97, 99, 102, 103, 104	X-702-1
L	Register 1/2 watt -22 ohm 49, 53, 58, 61, 62, 64, 66, 67, 74, 80, 82, 83, 88, 89, 91, 93, 94, 95, 97, 99, 102, 103, 104	237327
M	Cable, battery 94	A-236732

INSTRUMENT PANEL 19

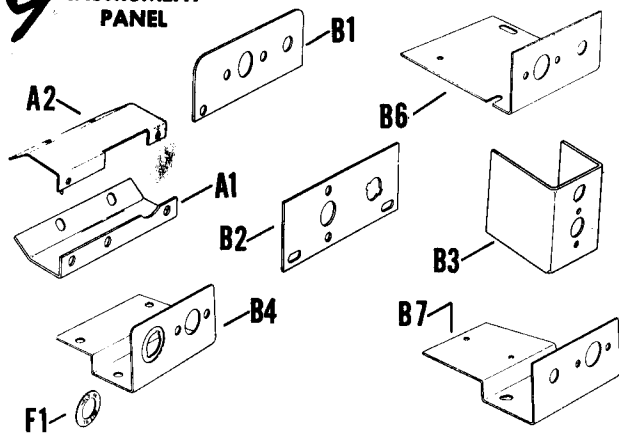
18 IGNITION



BREAKERLESS IGNITION

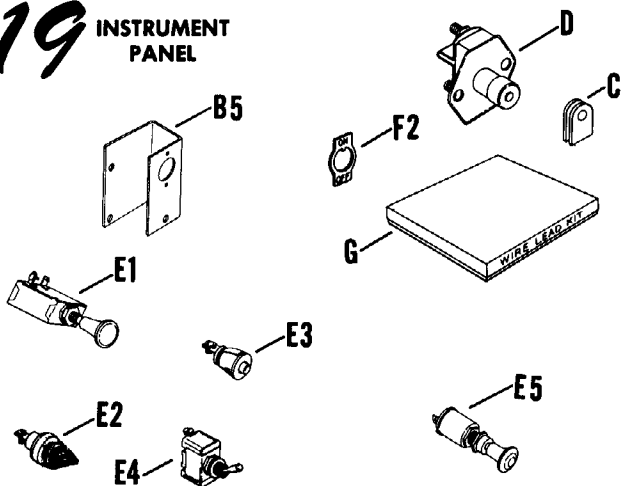
Index Letter	Description Variation Number	Part Number
A1	Bracket, panel (Replaced by 47 126 16) 9, 10, 13, 18, 23, 33	237386
A2	Bracket, panel 36, 37	47 126 16
B1	Panel, switch 1, 4	235720
	Panel, switch (Discontinued--Not Available) 7	236372
	8	236428
B2	Panel, switch 9, 10, 13, 36, 37	236595
	18, 23, 33, 37	237594
B3	Panel, switch (Discontinued--Not Available) 11	236579
B4	Panel, switch 14	237009
B5	Panel, switch 19	47 126 10
B6	Panel, switch 21, 28, 32	237595
B7	Panel, switch 22	237596

19 INSTRUMENT PANEL



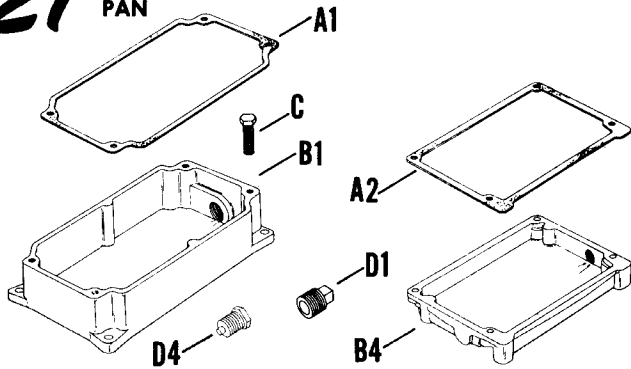
Index Letter	Description Variation Number	Part Number
C	Grommet 7	X-284-15
D	Switch, starter ALL	230442
E1	Switch, ignition 1, 3, 7	275713
E2	Switch, ignition 4, 75, 900	234690
E3	Switch, ignition 8, 9, 10, 11, 13, 14, 36	236435
E4	Switch, ignition 18, 21, 22, 23, 32, 33, 37	238011
	28	151510-2
E5	Switch, ignition 19	47 099 01
F1	Plate, switch instruction 1, 3, 7, 8, 9, 10, 11, 13, 14, 18, 21	223073 236654
F2	Plate, switch instruction 4, 18, 21, 22, 23, 28, 32, 33, 37, 75, 900	220725
G	Holder, fuse 37	41 323 02

19 INSTRUMENT PANEL



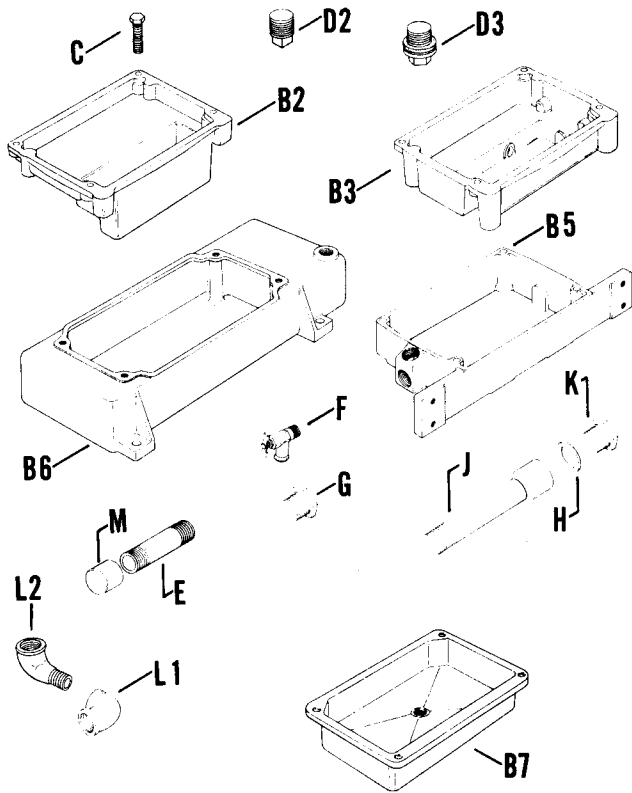
Index Letter	Description Variation Number	Part Number
Use stock of original part number before ordering replacement.		
A1	Gasket, pan 1, 2, 3, 4, 6, 7, 19, 20, 23, 26, 28, 30, 37, 46, 50	235057
A2	Gasket, pan 8, 9, 12, 13, 15, 16, 24, 32, 33, 36, 38, 39, 43, 44, 49, 52	235353
	Gasket, oil pan 54	47 041 07
B1	Pan, oil (Side drain) 1, 3, 4, 19, 20, 26, 28, 37	235115
	Pan, oil (Bottom drain) 2, 30	235147
	Pan, oil (Rear drain) 6	235305
	Pan, oil (Side drain) 7	237763
	Pan, oil (Side drain) (Use 235671 prior to engine spec suffix "C") 23	237763
B2	Pan, oil (Bottom drain) 8, 24, 36, 38, 44	237503
	Pan, oil (Bottom drain) (Discontinued--Not Available) 16	236328
B3	Pan, oil (Bottom drain) 9	47 532 01
	Pan, oil (Drain opposite carb.) 12, 49	236663
	Pan, oil (Bottom drain) (Replaced by 47 199 02) 39	237808
	Pan, oil (Side drain) (Replaced by 47 532 01) 43	47 199 02
	Pan, oil (Bottom drain) 52	47 199 08
B4	Pan, oil (Side drain) (Discontinued--Not Available) 13	236207
	15	236265

21 OIL PAN



Index Letter	Description Variation Number	Part Number
H	Gasket, drain plug 19	241063
J	Tube, oil drain 19	241065
K	Plug, pipe 9/16 hex. hd. 19	241062
L1	Elbow 28	X-215-2
L2	Elbow, oil drain (Use prior to generator set serial no. 440033) 33	SA-472
M	Cap, pipe 3/4 4	X-268-1

Index Letter	Description Variation Number	Part Number
B5	Pan, oil (Side drain) 32, 33	237462
B6	Pan, oil (Drain on carb. side) 46	47 199 03
	50	47 199 05
B7	Pan, oil (Bottom drain) 54	47 199 07
C	Screw, hex. hd. 3/8 - 16 x 1-3/4 (2) 3	270721
	Screw, hex. hd. 3/8 - 16 x 1-1/2 (4) 24	270158
D1	Plug, drain 3/4 sq. hd. 1, 3, 6, 20, 26, 32	X-75-6
D2	Plug, drain 3/8 sq. hd. 2, 7, 8, 13, 15, 16, 12, 44, 54	X-75-10
	Plug, drain 1/4 sq. hd. 9, 12, 39, 43, 49, 52	X-75-2
	Plug, drain 1/4 sq. hd. 28	X-75-6
	Plug, drain 1/4 sq. hd. (Use prior to generator set serial no. 440033) 33	X-75-6
	Plug, pipe 1/8 sq. hd. 46, 50	X-75-1
D3	Plug, drain 1 hex. hd. 24, 36	X-708-1
D4	Plug, magnetic drain 3/8 46, 50	X-305-4
E	Nipple 3/4 x 2-3/16 4	X-206-10
	Nipple 3/4 x 2-1/2 28	X-206-4
F	Valve (Use after generator set serial no. 440032) 33	238123
G	Bushing, reducer (Use after generator set serial no. 440032) 33	X-202-23

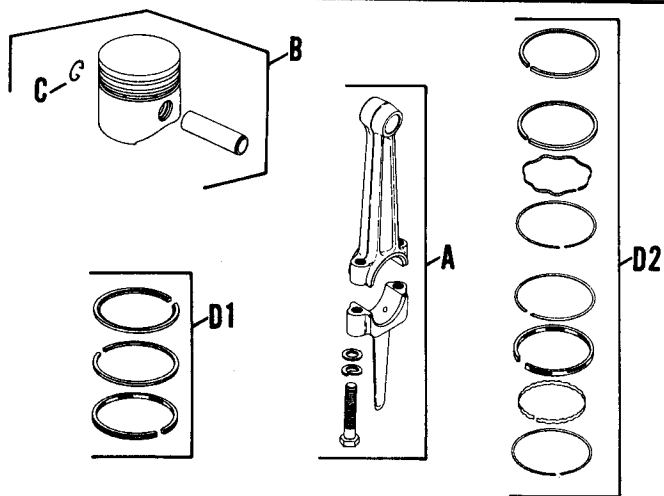


OIL PAN 21

22 PISTON AND ROD

RETRACTABLE STARTER

23



Index Letter	Description Variation Number	Part Number
--------------	------------------------------	-------------

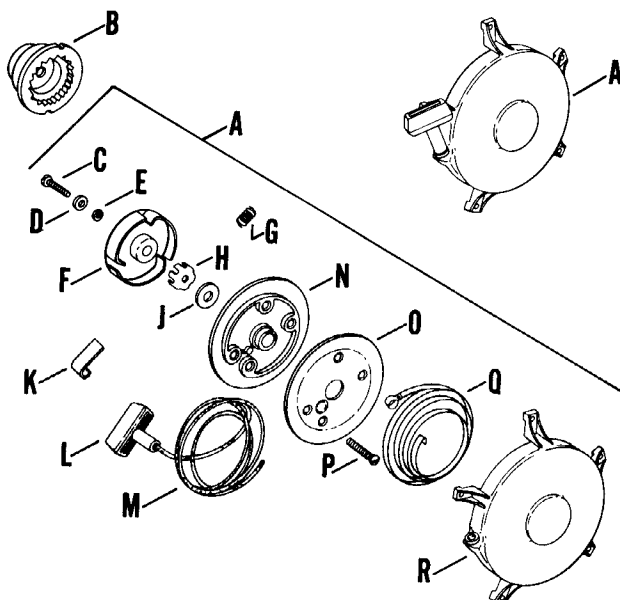
Use stock of original part number before ordering replacement.

A	Rod, connecting (Long dipper) 1, 5, 6	A-237344
	Rod, connecting - .010 U.S.	A-237344-10
B	Rod, connecting (Short dipper) 4	A-235991
	Rod, connecting - .010 U.S.	A-235991
D	Piston - assembly—std. (Includes pin & retainers) (Replaced by 47 074 16) ALL	47 074 01
	Piston - assembly—.003 (Includes pin & retainers) (Replaced by 47 074 17)	47 074 02
	Piston - assembly—.010 (Includes pin & retainers) (Replaced by 47 074 18)	47 074 03
	Piston - assembly—.020 (Includes pin & retainers) (Replaced by 47 074 19)	47 074 04
	Piston - assembly—.030 (Includes pin & retainers) (Replaced by 47 074 20)	47 074 05
C	Retainer, pin (2) (Replaced by 47 018 01) ALL	235004
D	Ring set - Std. & .003 ALL	235889
	Ring set - .010	235890
	Ring set - .020	235891
	Ring set - .030	235892

Index Letter	Description Variation Number	Part Number
--------------	------------------------------	-------------

Use stock of original part number before ordering replacement.

A	Starter, recoil - assembly (Includes C thru R)	
	1	A-235943
	2	A-235994
	4	A-235691
	5	A-236269
	6	A-236608
F	Starter, recoil - assembly (Includes C thru R) (Replaced by 47 755 03 kit) (Includes A-235943 starter & 237377 screen)	
	7	A-237251
B	Cup 1, 2, 6, 7	235685
	4, 5	231700
C	Screw, hex. hd, #10 - 32 x 5/8 1, 2, 4, 5, 6, 7	231691
D	Washer 1, 2, 4, 5, 6, 7	231690
	Washer 1, 2, 4, 5, 6, 7	231693
F	Retainer 1, 2, 4, 5, 6, 7	231699

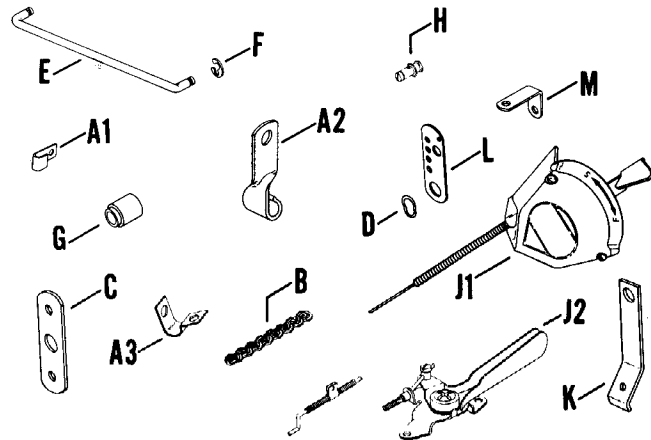


RETRACTABLE STARTER

23

Index Letter	Description Variation Number	Part Number
G	Spring, retainer 1, 2, 4, 5, 6, 7	232525
H	Brake 1, 2, 4, 5, 6, 7	231689
J	Washer, thrust 1, 2, 4, 5, 6, 7	231692
K	Dogs (3) 1, 2, 4, 5, 6, 7	231695
L	Handle 1, 2, 4, 5, 6, 7	234452
M	Rope #6 - 66 1, 4, 7	231686
	Rope #6 - 72-1/2 2	232923
	Rope #6 - 84 5, 6	236308
N	Pulley 1, 2, 4, 5, 6, 7	231697
O	Sheave 1, 2, 4, 5, 6, 7	231685
P	Screw (4) 1, 2, 4, 5, 6, 7	231683
Q	Spring, recoil 1, 2, 4, 5, 6, 7	231705
R	Housing 1, 2, 6	235696
	4, 5	235754
	7	237576

24 REMOTE THROTTLE



Index Letter	Description Variation Number	Part Number
--------------	---------------------------------	-------------

Use stock of original part number before ordering replacement.

A1	Clip, cable 6	231285
	Clip, cable (2) 15, 21	231285

Index Letter	Description Variation Number	Part Number
A2	Clip, cable 6	235454
A3	Clip, cable 11	210149
	18, 23	275329
B	Chain, 5 link 12	236262
C1	Bellcrank 16	236752
	2, 10	235550
C2	Bellcrank (Replaced by 47 257 01) 24	47 257 01
D	Washer, tension (2) 2, 10, 16, 24	275690
E	Rod, throttle 2	235317
	10, 16	235756
	24	47 411 03
F	Retainer, ring (2) 2, 10, 16, 24	235278
G	Spacer 2	235626
	2, 24	235058
	12, 25	265861
	Spacer (2) 10, 16	235085
H	Kit, clamp 2, 10, 16, 24	48 755 10
J1	Lever, throttle 5-5/8" cable 5	235160
J2	Lever, throttle 4-1/2" cable 12	237183
	Lever, throttle 72" cable 18	225011-6
K	Bracket, throttle cable 6, 9, 15	235180
L	Bracket, speed control 2, 10, 16, 24	235086
M	Bracket, adjusting screw 2, 10, 16, 24	235084

HIGH TEMPERATURE CUTOUT 31



Index Letter	Description Variation Number	Part Number
--------------	---------------------------------	-------------

A	Cutout, hi-temperature 1	230989
---	-----------------------------	--------

ACCESSORIES

Spec No.	Description	Part No.	Spec No.	Description	Part No.	Spec No.	Description	Part No.
4712	Muffler	275679	47121	Guard, belt	235704	47264	Regulator	A-220579
4715	Gasket, exhaust (2)	235122		Regulator, voltage	270952		Pulley, generator	235751
4717	Screw (4)	X-153-2	47124	Cable, throttle	225011-2		Regulator, voltage	270952
	Line, fuel 22"	X-294-5					Motor-Generator assy.	A-275847
	Nut, lock	AC-1536	47140	Cable, throttle	225011-2	47268	Gasket, exhaust (2)	235122
	Filter, fuel	A-210101	47147	Regulator rectifier	234279	47273	Switch	223072-S
	Sleeve	220547		Connector	236602		Plate	223073
	Nut	220786		Muffler	275679		Switch	237851
	Connector	231509	47160	Cover, screen	236391		Regulator rectifier	234279
	Rope	A-230099	47162	Nipple	X-217-6	47277b	Regulator rectifier	234279
	Muffler	275679		Elbow, hose	25 155 02		Spring	235496
4721	Pulley, generator	235751		Valve, fuel	220764		Gasket, exhaust	235122
4727	Pulley, generator	235751		Switch	237851	47277c	Regulator rectifier	234279
	Regulator, voltage	270952		Tank, fuel	235370		Gasket, exhaust	235122
	Motor-Generator assy.	B-275847		Strap (2)	A-236938		Spring	235496
4743	Pulley, generator	235751		Cap, tank	236655		Connector	236602
	Support	235749	47175	Regulator	270952	47278	Gasket, exhaust	235122
4756	Washer #8	X-18-2		Screw (3)	X-167-2	47279	Muffler	237550
	Screw 8-32x3/8	X-51-12		Wing nut	X-276-7	47284b	Muffler	275679
	Clip	210149		Base, air cleaner	235101	47284c	Switch, starter	237851
4757	Cable, throttle	225011-2		Cover, air cleaner	235102		Switch, stop	236435
	Rope	A-230099		Element	235116		Muffler	275679
4758	Cable, throttle	225011-2	47204	Cover, screen	236391	47289	Switch	223072-S
4763	Washer (2)	X-25-49		Gasket, air horn	275341		Plate	223073
	Screw (3)	X-167-2					Switch	237851
	Wing nut	X-276-7					Regulator rectifier	234279
	Clip	210149				47293	Pulley, generator	235751
	Condenser	230722					Regulator, voltage	270952
	Coil	231281					Stator-gen. assy.	B-275847
	Base	235101	47232b	Regulator rectifier	234279	47295	Regulator rectifier	277064
	Cover	235102		Clip	235603		Tube, oil fill	47 123 08
	Element	235116	47232c	Regulator rectifier	234279		Dipstick	237013
	Kit, hi-tension lead	238057	47233	Nut	X-276-7	47296	Cable, throttle	225011-2
	Pulley, generator	235751		Cleaner, air	151834	47306	Gasket, exhaust	235122
	Bracket, choke	235374		Elbow	235167	47309	Lead	A-230371
	Muffler	275679		Brace	235339		Condenser	230722
	Clip	275183		Crank	A-274055		Coil	231281
	Gasket, air horn	275341		Gasket, air horn (2)	275341		Gasket, exhaust	235122
4764	Cable, throttle	225011-10	47238	Condenser	230722		Kit, hi-tension lead	238057
4765	Condenser	230722		Guard, belt	235719		Regulator rectifier	277064
	Guard, belt	235719	47239	Switch	237851	47310	Lead	A-230371
4768	Tank, fuel	235164		Tank, fuel	235370		Condenser	230722
	Screw (2)	X-5-26		Strap (2)	A-236938		Coil	231281
	Nut (2)	X-101-8		Cap, tank	236655		Gasket, exhaust	235122
	Webbing (4)	X-295-25					Kit, hi-tension lead	238057
	Bracket	47 217 11	47247	Cable, throttle	225011-10		Regulator rectifier	277064
	Bracket	45 217 02	47249	Regulator rectifier	234279	47312	Rope	A-230099
	Strap (2)	237639		Connector	236602		Gasket, exhaust	235122
4770	Gasket, exhaust	235122	47252	Regulator rectifier	234279		Tank	235935
	Pulley, generator	235751		Connector	236602		Strap, tank (2)	A-236942
4784	Pulley, generator	235751	47254	Regulator rectifier	234279		Bracket, tank	237898
4794	Clip	210149		Connector	236602	47313	Screw (4)	47 086 08
47105	Washer #10 (3)	X-19-1	47255	Washer (4)	X-25-78		Line	X-294-5
	Wing nut	X-276-7		Screw, T.H. (4)	47 086 08		Nut	AC-1536
	Cleaner, air	151834		Screen, grass	47 755 16		Filter	A-210101
	Screw, R.H.M. (3)	X-50-37					Sleeve	220547
	Elbow	235167					Nut	220786
	Brace	235339					Connector	231509
	Gasket, air horn	275341					Regulator rectifier	234279

ACCESSORIES-CONTINUED

Spec No.	Description	Part No.	Spec No.	Description	Part No.	Spec No.	Description	Part No.
	Rope Muffler	A-230099 275679	47413	Solenoid	48 217 04	47507	Nipple Muffler	41 136 02 275679
47332	Gasket, exhaust (2)	235122	47414	Condenser Coil	230722 231281	47509	Gasket, exhaust	235122
47335	Regulator rectifier Gasket, exhaust (2)	234279 235122		Kit, hi-tension lead Solenoid	238057 48 217 04	47519	Regulator rectifier Screw, H.C.	277064 X-6-28
47340	Regulator rectifier Connector	234279 236602	47417	Bracket Regulator rectifier	236943 41 403 06		Screw, H.C. Screw, R.H.M. (2) Gasket, exhaust Elbow, exhaust	X-6-29 X-73-22 235122 235166
47346	Regulator rectifier Gasket, exhaust Spring Connector	234279 235122 236261 236602	47419	Screw (3) Wing nut Base, air cleaner Cover, air cleaner Screen, cover Gasket, air horn	X-173-1 X-276-7 235101 235102 236391 275341	47526	Regulator rectifier	277064
47349	Gasket, exhaust	235122				47533	Regulator rectifier	277064
47350	Regulator rectifier Connector	234279 236602	47420	Gasket, exhaust (2) Regulator rectifier	235122 41 403 06	47534	Screw, H.C. (3) Wing nut Cable Element Clip Muffler Gasket, air horn	X-167-2 X-276-7 225011-7 235116 275329 275679 275341
47364	Washer, lock Washer Nut Wing nut Gasket Cleaner, air Stud Gasket, exhaust (2)	X-20-1 X-25-63 X-81-1 X-276-7 AC-1787 151834 210186-1 235122	47422	Gasket, exhaust (2) Regulator rectifier	235122 41 403 06	47537	Clamp, muffler Muffler Regulator rectifier	237543 237550 277064
47366	Wing nut Gasket Cleaner, air Rope	X-276-7 AC-1787 151834 A-230099	47423	Gasket, exhaust Regulator rectifier	235122 41 403 06	47547	Wing nut Gasket Base, air cleaner Regulator rectifier Element Cover, air cleaner Stud	X-276-7 AC-1787 235123 41 403 06 277138 277142 280151
47369	Regulator rectifier	277064	47426	Switch, starter Muffler	237851 275679	47548	Wing nut Gasket Base, air cleaner Element Cover, air cleaner Stud	X-276-7 AC-1787 235123 277138 277142 280151
47371	Regulator rectifier Connector	234279 236602	47427	Rope Rod, ball joint Retainer	A-230099 235277 235278	47549	Regulator rectifier	277064
47374	Regulator rectifier Connector	234279 236602	47428	Regulator rectifier	41 403 06	47568	Clip Rope	210149 A-230099
47382	Gasket, exhaust	235122	47435	Regulator rectifier	41 403 06	47589	Gasket, exhaust	235122
47389	Regulator rectifier Gasket, exhaust (2)	234279 235122	47436	Regulator rectifier Gasket, exhaust Connector	41 403 06 235122 237429	47608	Regulator rectifier Connector	41 403 06 237429
47391	Regulator rectifier	41 403 06	47448	Spacer (2) Gasket, oil pan	X-400-71 235353	47611	Regulator rectifier	277064
47393	Spacer (2) Bracket, belt guard Gasket, oil pan Guard belt	X-400-71 235066 235353 235719	47458	Gasket, exhaust (2) Regulator rectifier	235122 41 403 06	47618	Regulator rectifier	277064
47395	Screw (3) Wing nut Base, air cleaner Cover, air cleaner Screen, cover Gasket, air horn	X-167-2 X-276-7 235101 235102 236391 275341	47470	Spacer (2) Gasket, oil pan	X-400-71 235353	47619	Muffler	275679
47399	Screw (3) Wing nut Base, air cleaner Cover, air cleaner Screen, cover Gasket, air horn	X-167-2 X-276-7 235101 235102 236391 275341	47479	Wing nut Base, air cleaner Cover, air cleaner Element Gasket, air horn	X-276-7 235101 235102 235116 275341	47627	Regulator rectifier	41 403 06
47402	Gasket, exhaust Regulator rectifier	235122 234279	47485b	Gasket, exhaust Kit, hi-tension lead Condenser Lead Coil	235122 238057 230722 A-231229 231281	47647	Muffler	275679
47411	Regulator rectifier Connector	41 403 06 237429	47490	Switch, starter Kit, ammeter Muffler	237851 48 755 18 275679	47650	Screw (4) Valve, shut off Gasket, exhaust Stud (2)	47 086 08 47 462 01 235122 235899
			47499	Regulator rectifier	277064	47652	Regulator rectifier	41 403 06
			47502	Spacer (2) Gasket, exhaust Gasket, oil pan	X-400-71 235122 235353			

K301

GASKET SET 47 755 08 (w/Seals)		GASKET SET 47 004 01 (w/o Seals)	
Part No.	Description	Part No.	Description
X-271-30	Seal, front oil	52 041 11	Gasket, breaker cover
X-379-9	Seal, rear oil	231032	Seal, breather
52 041 11	Gasket, breaker cover	235025	Gasket, camshaft cover
231032	Seal, breather	235048	Gasket, valve cover
235025	Gasket, camshaft cover	235057	Gasket, oil pan
235048	Gasket, breather plate	235070	Gasket, bearing plate (3)
235057	Gasket, oil pan	235122	Gasket, exhaust
235070	Gasket, bearing plate (3)	235757	Gasket, bearing plate
235122	Gasket, exhaust	237064	Gasket, starter pad oil fill
235757	Gasket, bearing plate	237658	Gasket, cylinder head
237064	Gasket, oil fill tube	275144	Gasket, valve cover
237658	Gasket, cylinder head	275341	Gasket, air horn
271030	Gasket, carburetor	47 041 04	Gasket, pump pad
275144	Gasket, valve cover	47 049 01	Gasket, carburetor
275341	Gasket, air horn	47 041 02	Gasket, air horn
47 041 04	Gasket, pump pad	47 041 07	Gasket, oil pan
47 041 92	Gasket, air horn	271030	Gasket, carburetor
47 041 07	Gasket, oil pan		
47 049 01	Gasket, carburetor		



PARTS MANUAL SUPPLEMENT

MODEL K301 — 12 hp

Specs 47779* — 47794

***Previous specs are covered in Parts Manual TP-528-A.
Also, refer to TP-528-A for parts illustrations.**

Contact your Kohler Distributor for Preliminary Parts Lists on specs not found in this manual or the K301 Parts Manual, TP-528-A. Information from the Preliminary Parts Lists will be added to the manual at the next revision date.

ENGINE DIVISION, KOHLER CO., KOHLER, WISCONSIN 53044

DESCRIPTION	PART NO.	DESCRIPTION	PART NO.	DESCRIPTION	PART NO.
AIR INTAKE — Group 1		Shaft, governor	235125-S	Screw, 8-32x1/4	X-51-8
Screw, H.C., 10-32x3/8 (3)	X-167-2	Bearing, ball (2)	235376	Screw, H.C., 1/4-20x1-1/4	X-132-9
Nut, wing	X-276-7	Gasket	235757	Kit, clamp	48 755 10
Base, air cleaner	235101	Plate, bearing	45 156 03	Bracket, adj. screw	235084
Cover, air cleaner	235102	Block, cylinder assembly (USE Miniblock)	B-237696	Spacer	235085
Element	235116	Insert, exhaust	230170	Bracket, speed control	236249
Element, pre-cleaner	237421	Insert, intake	230265	Washer, tension	275690
Gasket, air horn	275341	Guide, valve (2)	235007-S	Lever, governor assembly	A-237653
BAFFLES & SHROUD — Group 2		Bearing	234866	Washer, 1/4	X-25-72
Washer, 1/4 I.D.	X-25-53	CRANKSHAFT — Group 8		Nut, hex.	X-81-1
Screw, H.C., 1/4-20x3/4 (4)	X-132-2	Crankshaft	B-235949	Screw, sems, 1/4-20x1-1/4	X-776-1
Screw, H.C., 1/4-20-1-1/2 (2)	X-132-6	CYLINDER HEAD — Group 9		IGNITION — Group 18	
Baffle, side air	235652	Washer, 3/8 I.D. (2)	X-22-1	Screw, self tapping, 8-32x3/8	X-67-59
Housing, blower	236289	Washer, 3/8 I.D. (2)	X-25-28	Screw, F.H.M., 10-24x3/8 (4)	X-131-1
Baffle, cylinder	236676	Spacers (2)	X-400-71	Screw, H.C., 1/4-20x7/8 (2)	X-132-7
Baffle, head	237677	Studs (2)	237522	Screw, condenser, 6-32x1/4	X-144-2
BREATHER & VENT — Group 3		Gasket, head	237658	Rod, breaker	47 411 04
Nut, hex., 1/4-20	X-799-1	Head, cylinder	237670	Clip	X-728-1
Seal, breather	231032	Screw, H.C., 3/8-16x1-1/2 (6)	270158	Cover, breaker	A-220136
Reed, breather	235047	Screw, H.C., 3/8-16x1-3/4	270721	Gasket, cover	220174
Gasket, breather plate	235048	Washer, 3/8 (10)	270889	Grommet	220297
Baffle, breather	235117	Nut (4)	X-83-2	Boot, spark plug	220791
Filter, breather	235118	Strap, lifting	47 455 01	Plug, spark	235041-S
Plate, breather	235631	DIPSTICK — Group 10		Clip	275303
Cover, valve	275143	Dipstick	A-235068	Clip, cable	275183
Gasket, valve cover	275144	Tube, oil fill	275875	Condenser	47 147 01
Stud, valve cover	275220	FLYWHEEL — Group 13		Breaker	47 150 03
CAMSHAFT & VALVES — Group 4		Washer, 5/8	X-25-104	Washer, 1/4 I.D.	X-25-68
Retainer, spring (2)	230011	Nut, 5/8-18	X-119-14	Stator, magneto assembly	A-235741
Valve, intake	235008	Screw, truss, 1/4-20x5/8 (4)	47 086 05	Coil	47 145 02
Spring, valve (2)	235010	Key	X-286-17	Screw	234423
Retainer, upper (2)	235011	Flywheel	A-235908	Cable, hi-tension	234424
Pin, camshaft	235193	Screen, grass	47 162 02	Core & Plate	235759
Tappet (2)	D-235327	Washer, plain, 1/4 I.D. (4)	X-25-52	Clip	237919
Valve, exhaust	235826	FUEL PUMP — Group 14		OIL PAN — Group 21	
Kit, retainer (2)	41 755 10	Washer, 1/4 I.D. (2)	X-25-63	Plug, pipe 3/4	X-75-6
Spacer, .005 (A.R.)	275066	Screw, F.H.M., 1/4-20x3/4 (2)	X-174-2	Screw, H.C., 3/8-16x1-1/4 (4)	X-159-3
Spacer, .010 (A.R.)	275067	Clamp, hose (2)	X-426-9	Gasket, pan	235057
Camshaft assembly	47 010 06	Line, fuel	X-810-1	Base, oil pan	235115
Spring, actuating	47 089 01	Gasket, fuel pump pad	47 041 04	PISTON & ROD — Group 22	
CARBURETOR — Group 5		Pump, fuel	47 559 04	Rod, conn. assy. (Std.)	A-237344
Screw, sldd. hd., 5/16-18x1 (2)	X-770-1	Connector, 90° hose	X-391-1	Rod, conn. assy. (.010 U.S.)	A-237344-10
Connector, 90° hose	X-391-1	Connector, 90° hose	X-391-1	Piston assembly (Std.)	47 074 16
Gasket, carburetor	271030	Connector, 90° hose	X-391-11	Piston assembly (.003)	47 074 17
Carburetor assembly	47 053 13	FUEL TANK — Group 15		Piston assembly (.010)	47 074 18
Spring, idle speed	232555	Screw, H.C., 3/8-16x1-1/2 (2)	X-159-4	Piston assembly (.020)	47 074 19
Screw, idle speed adj.	232556	Strap, tank 24-13/16 (2)	237639	Piston assembly (.030)	47 074 20
Spring, idle fuel	200380	Spacer (2)	X-400-89	Ring set (Std. & .003)	235889
Needle, idle fuel adj.	235006	Line, fuel	X-809-1	Ring set (.010)	235890
Spring, main fuel	200383	Bracket, upper tank assy.	47 217 10	Ring set (.020)	235891
Needle, main fuel adj.	235415	Webbing (2)	X-295-35	Ring set (.030)	235892
Kit, float	25 757 03	Bracket, upper tank	45 066 03	Retainer (2)	47 018 01
Gasket, bowl baffle	25 041 02	Bracket, lower tank assy.	47 217 11	RETRACTABLE STARTER — Group 23	
Pin, float hinge	200376	Webbing (2)	X-295-25	Screw, H.C. (5)	X-156-2
Gasket, bowl	200375	Bracket, lower tank	47 066 02	Cup	235685
Bowl, fuel	235448	Tank, fuel	235164	Starter, recoil assembly	47 165 01
Screw, bowl retainer	47 100 06	Valve, shut-off	47 462 01	Spring	231705
Gasket, bowl retainer screw	200372	GOVERNOR — Group 17		Screw, 10x1/2	231683
Rod, ball joint	235277	Washer, 1/4 I.D.	X-25-55	Sheave	231685
Joint, ball	45 208 03	Spacer	X-400-80	Cord, #6 Nylon, 66"	231686
Kit, carburetor repair	25 757 01	Pin, governor stop	231355	Brake	231689
CRANKCASE — Group 7		Retainer, rod	235278	Washer	231690
Washer, 1/4 I.D.	X-25-72	Bushing	235476	Screw, 10-32x5/8	231691
Screw, H.C., 1/4-20x5/8	X-132-5	Spring, governor	235496	Dogs	231695
Screw, H.C., 1/4-20-1/2 (3)	X-132-6	Washer, thrust	237022	Washer, thrust	231692
Screw, H.C., 3/8-16x1 (4)	X-159-2	Kit, governor gear	A-235743-S	Spacer	231693
Plug, expansion	X-230-11	Shaft, governor cross	237455	Pulley	231697
Seal, front oil	X-271-30	Bracket, speed control assy.	A-236947	Retainer	231699
Seal, rear oil	X-379-9	Washer, 1/4	X-25-63	Retainer spring	232525
Gasket, camshaft cover	235025	Washer, 1/4	X-25-102	Spacer, nylon	47 112 04
Cover, camshaft	235026			Housing	235696
Gasket, brg. pl. .010 (A.R.)	235070			Handle	234452
				Gasket Set w/seals	47 755 08
				Gasket Set w/o seals	47 004 01
				Miniblock	B-237696

DESCRIPTION	PART NO.	DESCRIPTION	PART NO.	DESCRIPTION	PART NO.
AIR INTAKE — Group 1		Gasket (A.R.)	235070	Nut, hex.	X-81-1
Screw, H.C., 10-32x3/8 (3)	X-167-2	Shaft, governor	235125-S	Screw, sems 1/4-20x1-1/4	X-776-1
Nut, wing	X-276-7	Bearing, ball (2)	235376	IGNITION — Group 18	
Element	235116	Gasket, bearing plate	235757	Washer (4)	X-22-9
Seal	237423	Shaft (2)	236559	Washer 1/4	X-25-52
Base, air cleaner	237424	Plate, bearing	45 156 02	Screw, sht. mtl., 8-32x3/8	X-67-59
Cover, air cleaner	237848	Block, cylinder assembly (USE Miniblock)	C-237416	Screw, F.H.M., 10-24x3/8 (4)	X-131-1
Gasket, air horn	275341	Insert, valve seat	230170	Screw, H.C., 1/4-20x3/4	X-132-2
BAFFLES & SHROUD — Group 2		Insert, intake (2)	230265	Rod, breaker	47 411 04
Washer, 1/4 I.D.	X-25-53	Guide, valve	235007-S	Cup	X-728-1
Screw, H.C., 1/4-20x3/4 (4)	X-132-2	CRANKSHAFT — Group 8		Screw, F.H. (4)	X-116-4
Screw, H.C., 1/4-20x1-1/2 (2)	X-132-6	Retainer (2)	X-269-34	Gasket, breaker	52 041 11
Baffle, side air	235652	Crankshaft	B-235837	Cover, breaker	232535
Baffle, cylinder	236676	Gear assembly (2)	47 042 01	Lead, high tension	238057
Baffle, head	237677	Bearing, needle (2)	47 030 01	Clip	275303
Housing, blower	47 027 18	Kit, spacer	47 755 01	Stator	47 085 12
BREATHER & VENT — Group 3		CYLINDER HEAD — Group 9		Plug, spark	235041-S
Nut, hex. 1/4-20	X-799-1	Strap, lifting	47 445 01	Breaker	47 150 03
Seal, breather	231032	Gasket, head	237658	Condenser	230722
Reed, breather	235047	Head, cylinder	237670	Coil	231281
Gasket, breather plate	235048	Screw, H.C., 3/8-16x1-1/2 (8)	270158	Screw, H.C., 1/4-20x1 (2)	X-132-4
Baffle, breather	235117	Screw, H.C., 3/8-16x1-3/4	270721	Connector	236602
Filter, breather	235118	Washer, 3/8 (10)	270889	Regulator, rectifier	47 403 03
Plate, breather	235631	DIPSTICK — Group 10		OIL PAN — Group 21	
Cover, valve	275143	Dipstick	A-237211	Plug, pipe 1/8	X-75-1
Gasket, valve cover	275144	ELECTRIC START — Group 11		Screw, H.C., 3/8-16x1-1/4 (4)	X-159-3
Stud, valve cover	275220	Washer 3/8 (2)	X-22-1	Plug, pipe	X-305-4
CAMSHAFT & VALVES — Group 4		Screw, 3/8-16x1-11/32 (2)	234948	Gasket, pan	235057
Retainer, spring	230011	Starter assembly	A-237534	Base, oil pan	47 199 03
Rotator, valve	230020	Kit, drive	47 755 07	PISTON & ROD — Group 22	
Valve, intake	235008	Kit, drive parts	47 755 13	Rod, conn. assy. (Std.)	A-237344
Spring, intake	235010	Cap, drive end	237650	Rod, conn. assy. (.010 U.S.)	A-237344-10
Retainer, upper (2)	235011	Armature	47 170 01	Piston assembly (Std.)	47 074 16
Pin, camshaft	235193	Cap, commutator end	48 227 04	Piston assembly (.003)	47 074 17
Spring, valve	235168	Kit, brush	48 755 15	Piston assembly (.010)	47 074 18
Tappet	D-235327	Thru Bolt w/washer (2)	237649	Piston assembly (.020)	47 074 19
Valve, exhaust	235838	FLYWHEEL — Group 13		Piston assembly (.030)	47 074 20
Kit, retainer (2)	41 755 10	Washer 5/8	X-25-104	Ring set (Std. .003)	235889
Spacer .005 (A.R.)	275066	Nut, lock 5/8-18	X-119-14	Ring set (.010)	235890
Spacer .010 (A.R.)	275067	Screw, T.H., 1/4-20x5/8 (4)	47 086 05	Ring set (.020)	235891
Camshaft assembly	47 010 09	Key	X-286-17	Ring set (.030)	235892
Spring, actuating	47 089 01	Screen, grass	236688	Retainer, pin (2)	47 018 01
CARBURETOR — Group 5		Flywheel	47 025 48	Miniblock	C-237416
Screw, sld. hd., 5/16-18x1 (2)	X-770-1	Washer, plain, 1/4 (4)	X-25-52	Short Block	D-237530
Connector, 90° hose	X-391-1	FUEL PUMP — Group 14		Gasket Set w/seals	47 755 08
Gasket, carburetor	47 049 01	Screw, F.H.M., 1/4-20x3/4 (2)	X-174-2	Gasket Set w/o seals	47 004 01
Carburetor assembly	47 053 13	Gasket, fuel pump	47 041 04		
Spring, idle speed	232555	Cover, pump pad	240282		
Screw, idle speed adj.	232556	GOVERNOR — Group 17			
Spring, idle fuel	200380	Washer, 1/4 I.D.	X-25-55		
Needle, idle fuel adj.	235006	Spacer	X-400-80		
Spring, main fuel	200383	Pin, governor stop	231355		
Needle, main fuel adj.	235415	Retainer, rod	235278		
Kit, float	25 757 03	Bushing	235476		
Gasket, bowl baffle	25 041 02	Spring, governor	235496		
Pin, float hinge	200376	Washer, thrust	237022		
Gasket, bowl	200375	Kit, governor gear	A-235743-S		
Bowl, fuel	235448	Shaft, governor	237455		
Screw, bowl retainer	47 100 06	Bracket, speed control assy.	A-236895		
Gasket, bowl retainer screw	200372	Washer, 1/4	X-25-63		
Rod, ball joint	235277	Washer, 1/4	X-25-102		
Joint, ball	45 208 03	Screw, 8-32x1/4	X-51-8		
Kit, carburetor repair	25 757 01	Spacer	235085		
CRANKCASE — Group 7		Bracket	235084		
Plug, pipe (3)	X-75-31	Bracket	235086		
Screw, H.C., 1/4-20x1/2 (4)	X-132-6	Washer, wave	275690		
Screw, H.C. (4)	X-159-2	Screw, 1/4-20x1-1/4	X-132-9		
Plug	X-230-11	Clamp, swivel wire	48 755 10		
Seal, front oil	X-271-30	Lever, governor assy.	A-237653		
Seal, rear oil	X-379-9	Washer, 1/4	X-25-72		
Gasket	235025				
Cover, camshaft	235026				

DESCRIPTION	PART NO.	DESCRIPTION	PART NO.	DESCRIPTION	PART NO.
AIR INTAKE — Group 1		Gasket, brg. pl. .010 (A.R.)	235070	Washer, 1/4 I.D.	X-25-63
Screw, H.C., 10-32x3/8 (3)	X-167-2	Shaft, governor	235125-S	Washer, 1/4 I.D.	X-25-102
Nut, wing	X-276-7	Bearing, ball (2)	235376	Screw, 8-32x1/4	X-51-8
Element	235116	Gasket	235757	Spacer	235085
Seal	237423	Shaft (2)	236559	Bracket	235084
Base, air cleaner	237424	Plate, bearing	45 156 02	Bracket	235086
Cover, air cleaner	237848	Block, cylinder assembly (USE Miniblock)	C-237346	Washer, wave	275690
Gasket, air horn	275341	Insert, exhaust	230170	Screw, 1/4-20x1-1/4	X-132-9
BAFFLES & SHROUD — Group 2		Guide, valve (2)	235007-S	Clamp, swivel wire	48 755 10
Washer, 1/4 I.D.	X-25-53	Bearing, needle	234866	Lever, governor assy.	A-237653
Screw, H.C., 1/4-20x3/4 (4)	X-132-2	CRANKSHAFT — Group 8		Washer, 1/4 I.D.	X-25-72
Screw, H.C., 1/4-20x1-1/2 (2)	X-132-6	Retainer (2)	X-269-34	Nut, hex., 1/4-20	X-81-1
Baffle, side air	235652	Crankshaft	B-235837	Screw, 1/4-20x1-1/4	X-776-1
Baffle, cylinder	236676	Gear assembly (2)	47 042 01	IGNITION — Group 18	
Baffle, head	237677	Bearing, needle (2)	47 030 01	Washer (4)	X-22-9
Housing, blower	47 027 18	Kit, spacer	47 755 01	Washer, 1/4	X-25-52
BREATHER & VENT — Group 3		CYLINDER HEAD — Group 9		Screw, sht. mtl., 8-32x3/8	X-67-59
Nut, hex., 1/4-20	X-799-1	Nut	X-83-2	Screw, F.H.M., 10-24x3/8 (4)	X-131-1
Seal, breather	231032	Nut, hex.	X-83-6	Screw, H.C., 1/4-20x3/4	X-132-2
Reed, breather	235047	Spacers	X-400-91	Rod, breaker	47 411 04
Gasket, breather plate	235048	Strap, lifting	47 445 01	Cup	X-728-1
Baffle, breather	235117	Stud	237277	Screw, F.H. (4)	X-116-4
Filter, breather	235118	Gasket, head	237658	Gasket, breaker	52 041 11
Plate, breather	235631	Head, cylinder	237670	Cover, breaker	232535
Cover, valve	275143	Screw, H.C., 3/8-16x1-1/2 (7)	270158	Lead, high tension	238057
Gasket, valve cover	275144	Screw, H.C., 3/8-16x1-3/4	270721	Clip	275303
Stud, valve cover	275220	Washer, 3/8 (10)	270889	Stator	47 085 12
CAMSHAFT & VALVES — Group 4		DIPSTICK — Group 10		Plug, spark	235041-S
Retainer, spring	230011	Dipstick	47 272 01	Breaker	47 150 03
Rotator, valve	230020	Tube, oil fill	45 538 01	Condenser	230722
Valve, intake	235008	ELECTRIC START — Group 11		Coil	231281
Spring, intake	235010	Washer 3/8 (2)	X-22-1	Screw, H.C., 1/4-20x1 (2)	X-132-4
Retainer, upper (2)	235011	Screw, 3/8-16x1-11/32 (2)	234948	Connector	236602
Pin, camshaft	235193	Starter assembly	A-237534	Regulator, rectifier	47 403 03
Spring, valve	235168	Kit, drive	47 755 07	OIL PAN — Group 21	
Tappet (2)	D-235327	Kit, drive parts	47 755 13	Plug, pipe 1/8	X-75-1
Valve, exhaust	235838	Cap, drive end	237650	Screw, H.C., 3/8-16x1-1/4 (4)	X-159-3
Kit, retainer	41 755 10	Armature	47 170 01	Plug, pipe	X-305-4
Spacer, .005 (A.R.)	275066	Cap, commutator end	48 227 04	Gasket, pan	235057
Spacer, .010 (A.R.)	275067	Kit, brush	48 755 15	Base, oil pan	47 199 05
Camshaft assembly	47 010 09	Thru bolt w/washer (2)	237649	PISTON & ROD — Group 22	
Spring, actuating	47 089 01	EXHAUST — Group 12		Rod, conn. assy. (Std.)	A-237344
CARBURETOR — Group 5		Screw, H.C., 5/16-18x1-5/8 (2)	X-6-35	Rod, conn. assy. (.010 U.S.)	A-237344-10
Connector, 90° hose	X-391-1	Gasket, exhaust	235122	Piston assembly (Std.)	47 074 16
Screw, std. hd., 5/16-18x1 (2)	X-770-1	Elbow, exhaust	236268	Piston assembly (.003)	47 074 17
Gasket, carburetor	47 049 01	FLYWHEEL — Group 13		Piston assembly (.010)	47 074 18
Carburetor assembly	47 053 13	Washer 5/8	X-25-104	Piston assembly (.020)	47 074 19
Spring, idle speed	232555	Nut, lock 5/8-18	X-119-14	Piston assembly (.030)	47 074 20
Screw, idle speed adj.	232556	Screw, T.H., 1/4-20x5/8 (4)	47 086 05	Ring set (Std.)	235889
Spring, idle fuel	200380	Key	X-286-17	Ring set (.010)	235890
Needle, idle fuel adj.	235006	Screen, grass	236688	Ring set (.020)	235891
Spring, main fuel	200383	Flywheel	47 025 48	Ring set (.030)	235892
Needle, main fuel adj.	235415	Washer, plain, 1/4 I.D. (4)	X-25-52	Retainer, pin (2)	47 018 01
Kit, float	25 757 03	FUEL PUMP — Group 14		Miniblock	
Gasket, bowl baffle	25 041 02	Screw, F.H.M., 1/4-20x3/4 (2)	X-174-2	Gasket Set w/seals	C-237346
Pin, float hinge	200376	Gasket, fuel pump	47 041 04	Gasket Set w/o seals	47 755 08
Gasket, bowl	200375	Cover, pump pad	240282	47 004 01	
Bowl, fuel	235448	GOVERNOR — Group 17			
Screw, bowl retainer	47 100 06	Washer, 1/4 I.D.	X-25-55		
Gasket, bowl retainer screw	200372	Spacer	X-400-80		
Rod, ball joint	235277	Pin, governor stop	231355		
Joint, ball	45 208 03	Retainer, rod	235278		
Kit, carburetor repair	25 757 01	Bushing	235476		
CRANKCASE — Group 7		Spring, governor	235496		
Plug, pipe (3)	X-75-31	Washer, thrust	237022		
Screw, H.C., 1/4-20x1/2 (4)	X-132-6	Kit, governor gear	A-235743-S		
Screw, H.C., 3/8-16x1 (4)	X-159-2	Shaft, governor	237455		
Plug, expansion	X-230-11	Bracket, speed control assy.	A-236895		
Seal, front oil	X-271-30				
Seal, rear oil	X-379-9				
Gasket, camshaft cover	235025				
Cover, camshaft	235026				

DESCRIPTION	PART NO.
AIR INTAKE — Group 1	
Screw, H.C., 10-32x5/16 (3)	X-167-2
Nut, wing	X-276-7
Base, air cleaner	235101
Cover, air cleaner	235102
Element	235116
Gasket, air horn	275341
BAFFLES & SHROUD — Group 2	
Washer, 1/4 I.D.	X-25-53
Screw, H.C., 1/4-20x3/4 (4)	X-132-2
Screw, H.C., 1/4-20x1/2 (2)	X-132-6
Baffle, side air	235652
Housing, blower	235901
Baffle, cylinder	236676
Baffle, head	237677
BREATHER & VENT — Group 3	
Nut, hex., 1/4-20	X-799-1
Seal, breather	231032
Reed, breather	235047
Gasket, breather plate	235048
Baffle, breather	235117
Filter, breather	235118
Plate, breather	235631
Cover, valve	275143
Gasket, valve cover	275144
Stud, valve cover	275220
CAMSHAFT & VALVES — Group 4	
Retainer, spring (2)	230011
Valve, intake	235008
Spring, valve (2)	235010
Retainer, upper (2)	235011
Pin, camshaft	235193
Tappet (2)	D-235327
Valve, exhaust	235826
Kit, retainer (2)	47 755 10
Spacer, .005 (A.R.)	275066
Spacer, .010 (A.R.)	275067
Camshaft assembly	47 010 06
Spring, actuating	47 089 01
CARBURETOR — Group 5	
Screw, sltd. hd., 5/16-18x1 (2)	X-770-1
Connector, 90° hose	X-391-1
Gasket, carburetor	271030
Carburetor assembly	47 053 13
Spring, idle speed	232555
Screw, idle speed adj.	232556
Spring, idle fuel	200380
Needle, idle fuel adj.	235006
Spring, main fuel	200383
Needle, main fuel adj.	235415
Kit, float	25 757 03
Gasket, bowl baffle	25 041 02
Pin, float hinge	200376
Gasket, bowl	200375
Bowl, fuel	235448
Screw, bowl retainer	47 100 06
Gasket, bowl retainer screw	200372
Rod, ball joint	235277
Joint, ball	45 208 03
Kit, carburetor repair	25 757 01
CRANKCASE — Group 7	
Washer, 1/4 I.D.	X-25-72
Plug, pipe (2)	X-75-31
Screw, H.C., 1/4-20x5/8	X-132-5
Screw, H.C., 1/4-20x1/2 (3)	X-132-6
Screw, H.C., 3/8-16x1 (4)	X-159-2
Plug, expansion	X-230-11
Seal, front oil	X-271-30
Seal, rear oil	X-379-9
Plug (2)	X-702-3
Gasket, camshaft cover	235025
Cover, camshaft	235026

DESCRIPTION	PART NO.
Gasket, brg. pl. .010 (A.R.)	235070
Shaft, governor	235125-S
Gasket, bearing plate	235757
Plate, bearing	45 156 03
Bearing, ball (2)	235376
Block, cylinder assembly (USE: Miniblock)	C-237346
Insert, exhaust	230170
Guide, valve (2)	235007-S
Bearing	234866
CRANKSHAFT — Group 8	
Crankshaft	B-235805
CYLINDER HEAD — Group 9	
Washer (2)	X-22-1
Washer, 3/8 (2)	X-25-28
Spacers (2)	X-400-71
Studs (2)	237522
Gasket, head	237658
Head, cylinder	237670
Screw, H.C., 3/8-16x1-1/2 (6)	270158
Screw, H.C., 3/8-16x1-3/4	270721
Washer, 3/8 (10)	270889
Nut (4)	X-83-2
Strap, lifting	47 445 01
DIPSTICK — Group 10	
Dipstick	A-235092
EXHAUST — Group 12	
Nipple, pipe	41 136 02
Muffler	275679
FLYWHEEL — Group 13	
Screw, H.C., 3/8-16x7/8 (4)	X-7-6
Washer 5/8	X-25-104
Washer, lock 3/8 (4)	X-22-1
Nut, lock 5/8-18	X-119-14
Screw, 1/4-20x5/8 (4)	X-166-1
Key	X-286-17
Pulley	235207
Screen, grass	235052
Flywheel	A-235978
Washer, plain, 1/4 (4)	X-25-52
Shaft, front drive	47 144 09
Rope	A-230099
FUEL PUMP — Group 14	
Washer, 1/4 (2)	X-25-63
Screw, F.H.M., 1/4-20x3/4 (2)	X-174-2
Clamp, hose (2)	X-426-9
Line, fuel	X-810-1
Gasket, fuel pump	47 041 04
Pump, fuel	47 559 04
Connector, 90° hose	X-391-1
Connector, 90° hose	X-391-11
FUEL TANK — Group 15	
Screw, H.C., 3/8-16x1-1/2 (2)	X-159-4
Strap, tank 24-13/16 (2)	237639
Spacer (2)	X-400-89
Line, fuel	X-809-1
Bracket, upper tank assy.	47 217 10
Webbing (2)	X-295-35
Bracket, upper tank	45 066 03
Bracket, lower tank assy.	47 217 11
Webbing (2)	X-295-25
Bracket, lower tank	47 066 02
Tank, fuel	235164
Valve, shut-off	47 462 01
GOVERNOR — Group 17	
Washer, 1/4	X-25-55
Spacer	X-400-80
Pin, governor stop	231355
Retainer, rod	235278

DESCRIPTION	PART NO.
Bushing	235476
Spring, governor	235496
Washer, thrust	237022
Kit, governor gear	A-235743-S
Shaft, governor	237455
Lever, governor assy.	A-237653
Washer, 1/4	X-25-72
Nut, hex.	X-81-1
Screw, sems, 1/4-20x1-1/4	X-776-1
Bracket, speed control assy.	A-236895
Washer, 1/4	X-25-63
Washer, 1/4	X-25-102
Screw, 8-32x1/4	X-51-8
Kit, clamp	48 755 10
Spacer	235085
Bracket, adj. screw	235084
Bracket	235086
Washer, wave	275690
Screw, 1/4-20x1-1/4	X-132-9
IGNITION — Group 18	
Screw, self tapping, 8-32x3/8	X-67-59
Screw, F.H.M., 10-24x3/8 (4)	X-131-1
Screw, H.C., 1/4-20x7/8 (2)	X-132-7
Screw, condenser, 6-32x1/4	X-144-2
Rod, breaker	47 411 04
Clip	X-728-1
Cover, breaker	A-220136
Gasket, cover	220174
Grommet	220297
Boot, spark plug	220791
Plug, spark	235041-S
Clip	275303
Clip, cable	275183
Condenser	47 147 01
Breaker	47 150 03
Washer, 1/4	X-25-68
Stator assembly	A-235741
Coil	47 145 02
Screw	234423
Cable, hi-tension	234424
Core & Plate	235759
Clip	237919
OIL PAN — Group 21	
Plug, pipe 3/4	X-75-6
Screw, H.C., 3/8-16x1-1/4 (4)	X-159-3
Gasket, pan	235057
Base, oil pan	235115
PISTON & ROD — Group 22	
Rod, conn. assy. (Std.)	A-237344
Rod, conn. assy. (.010 U.S.)	A-237344-10
Riston assembly (Std.)	47 074 16
Piston assembly (.003)	47 074 17
Piston assembly (.010)	47 074 18
Piston assembly (.020)	47 074 19
Piston assembly (.030)	47 074 20
Ring set (Std. & .003)	235889
Ring set (.010)	235890
Ring set (.020)	235891
Ring set (.030)	235892
Retainer (2)	47 018 01
Universal service engine	47176
Short Block	C-236644
Miniblock	C-237346
Gasket Set w/seals	47 755 08
Gasket Set w/o seals	47 004 01

DESCRIPTION	PART NO.
AIR INTAKE — Group 1	
Screw, H.C., 10-32x5/16 (3)	X-167-2
Nut, wing	X-276-7
Base, air cleaner	235101
Cover, air cleaner	235102
Element	235116
Gasket, air horn	275341
BAFFLES & SHROUD — Group 2	
Washer, 1/4	X-25-53
Screw, H.C., 1/4-20x3/4 (4)	X-132-2
Screw, H.C., 1/4-20x1/2 (2)	X-132-6
Baffle, side air	235652
Baffle, cylinder	236676
Baffle, head	237677
Housing, blower	47 027 19
BREATHER & VENT — Group 3	
Nut, hex., 1/4-20	X-799-1
Seal, breather	231032
Reed, breather	235047
Gasket, breather plate	235048
Baffle, breather	235117
Filter, breather	235118
Plate, breather	235631
Cover, valve	275143
Gasket, valve cover	275144
Stud, valve cover	275220
CAMSHAFT & VALVES — Group 4	
Retainer, spring (2)	230011
Valve, intake	235008
Spring, valve (2)	235010
Retainer, upper (2)	235011
Pin, camshaft	235193
Tappet (2)	D-235327
Valve, exhaust	235826
Kit, retainer (2)	41 755 10
Spacer .005 (A.R.)	275066
Spacer .010 (A.R.)	275067
Camshaft assembly	47 010 09
Spring, actuating	47 089 01
CARBURETOR — Group 5	
Screw, sltd. hd., 5/16-18x1 (2)	X-770-1
Connector, 90° hose	X-391-1
Gasket, carburetor	271030
Carburetor assembly	47 053 13
Spring, idle speed	232555
Screw, idle speed adj.	232556
Spring, idle fuel	200380
Needle, idle fuel adj.	235006
Spring, main fuel	200383
Needle, main fuel adj.	235415
Kit, float	25 757 03
Gasket, bowl baffle	25 041 02
Pin, float hinge	200376
Gasket, bowl	200375
Bowl, fuel	235448
Screw, bowl retainer	47 100 06
Gasket, bowl retainer screw	200372
Rod, ball joint	235277
Joint, ball	45 208 03
Kit, carburetor repair	25 757 01
CRANKCASE — Group 7	
Screw, H.C., 1/4-20x1/2 (4)	X-132-6
Screw, H.C. (4)	X-175-1
Plug	X-230-11
Seal, front oil	X-271-30
Seal, rear oil	X-379-9
Gasket	235025
Cover, camshaft	235026
Gasket (A.R.)	235070
Shaft, governor	235125-S
Bearing, ball (2)	235376
Gasket, bearing plate	235757
Plate, bearing	45 156 02
Shaft (2)	236559

DESCRIPTION	PART NO.
Block, cylinder assembly (USE: Miniblock)	C-237346
Insert, exhaust	230170
Guide, valve (2)	235007-S
Bearing, needle	234866
CRANKSHAFT — Group 8	
Retainer (2)	X-269-34
Crankshaft	B-235885
Gear assembly	47 042 01
Bearing, needle (2)	47 030 01
Kit, spacer	47 755 01
CYLINDER HEAD — Group 9	
Washer, 3/8 (2)	X-22-1
Washer, 3/8 (2)	X-25-28
Spacers (2)	X-400-71
Studs (2)	237522
Gasket, head	237658
Head, cylinder	237670
Screw, H.C., 3/8-16x1-1/2 (6)	270158
Screw, H.C., 3/8-16x1-3/4	270721
Washer, 3/8 (10)	270889
Nut (4)	X-83-2
Strap, lifting	47 445 01
DIPSTICK — Group 10	
Dipstick	A-235092
ELECTRIC START — Group 11	
Washer 3/8 (2)	X-22-1
Washer 3/8	X-25-41
Screw, self tapping	X-67-62
Screw, H.C. (2)	234380
Bracket, support	237239
Starter assembly	A-237511
Kit, drive	47 755 07
Kit, drive parts	47 755 13
Cap, drive end	237361
Armature	47 170 01
Cap, commutator end	48 227 04
Kit, brush	48 755 15
Thru bolt w/washer (2)	237646
EXHAUST — Group 12	
Nipple, pipe	41 136 02
Muffler	275679
FLYWHEEL — Group 13	
Washer 5/8	X-25-104
Nut, lock 5/8-18	X-119-14
Screw, T.H., 1/4-20x5/8 (4)	47 086 05
Key	X-286-17
Screen, grass	236688
Flywheel	47 025 28
Washer, plain, 1/4 (4)	X-25-52
FUEL PUMP — Group 14	
Washer, 1/4 (2)	X-25-63
Screw, F.H.M., 1/4-20x3/4 (2)	X-174-2
Clamp, hose (2)	X-426-9
Line, fuel	X-810-1
Gasket, fuel pump	47 041 04
Pump, fuel	47 559 04
Connector, 90° hose	X-391-1
Connector, 90° hose	X-391-11
FUEL TANK — Group 15	
Strap, tank 24-13/16 (2)	237639
Line, fuel (tank to pump)	X-809-1
Bracket, upper tank assy.	47 217 10
Webbing (2)	X-295-35
Bracket, upper tank	45 066 03
Tank, fuel	235164
Valve, shut-off	47 462 01
GOVERNOR — Group 17	
Washer, 1/4	X-25-55
Spacer	X-400-80
Pin, governor stop	231355
Retainer, rod	235278

DESCRIPTION	PART NO.
Bushing	235476
Spring, governor	235496
Washer, thrust	237022
Kit, governor gear	A-235743-S
Shaft, governor	237455
Lever, governor assy.	A-237653
Washer, 1/4	X-25-72
Nut, hex.	X-81-1
Screw, 1/4-20x1-1/4	X-776-1
Bracket, speed control assy.	A-236895
Washer, 1/4	X-25-63
Washer, 1/4	X-25-102
Screw, 8-32x1/4	X-51-8
Clamp, swivel wire	48 755 10
Spacer	235085
Bracket	235084
Bracket	235086
Washer, wave	275690
Screw, 1/4-20x1-1/4	X-132-9
IGNITION — Group 18	
Washer 1/4 (2)	X-25-52
Screw, sht. mtl., 8-32x3/8	X-67-59
Screw, F.H.M. 10-24x3/8 (4)	X-131-1
Screw, H.C., 1/4-20x3/4	X-132-2
Rod, breaker	47 411 04
Clip	X-728-1
Screw, R.H., 10-24x3/4 (4)	X-778-1
Gasket, breaker	220174
Cover, breaker	232535
Lead, high tension	238057
Clip	275303
Stator	237878
Plug, spark	235041-S
Breaker	47 150 03
Condenser	230722
Coil	231281
Connector	236602
Regulator, rectifier	41 403 05
Screw, H.C., 1/4-20x1 (2)	X-132-4
INSTRUMENT PANEL — Group 19	
Screw, H.C., 1/4-20x1/2 (2)	X-132-6
Screw (2)	X-5-1
Nut (2)	X-101-8
Webbing (2)	X-295-20
Bracket, lower fuel tank	47 066 02
Bracket, control panel	47 126 06
Screw, H.C., 1/4-20x1/2 (2)	X-5-13
Washer, lock 1/4 (2)	X-20-1
Washer, lock (4)	X-22-6
Washer, lock 1/2	X-22-38
Washer 11/32x3/4x14	X-25-5
Nut, H.P., 1/4-20	X-81-1
Switch	230442
Panel, control	237594
Switch toggle	238011
OIL PAN — Group 21	
Plug, pipe 3/4	X-75-6
Screw, H.C., 3/8-16x1-1/4 (4)	X-159-3
Gasket, pan	235057
Base, oil pan	235115
PISTON & ROD — Group 22	
Rod, conn. assy. (Std.)	A-237344
Rod, conn. assy. (.010 U.S.)	A-237344-10
Piston assembly (Std.)	47 074 16
Piston assembly (.003)	47 074 17
Piston assembly (.010)	47 074 18
Piston assembly (.020)	47 074 19
Piston assembly (.030)	47 074 20
Ring set (Std. & .003)	235889
Ring set (.010)	235890
Ring set (.020)	235891
Ring set (.030)	235892
Retainer, pin (2)	47 018 01
Miniblock	C-237346
Gasket Set w/seals	47 755 08
Gasket Set w/o seals	47 004 01

DESCRIPTION	PART NO.
AIR INTAKE — Group 1	
Screw, H.C., 10-32x3/8 (3)	X-167-2
Nut, wing	X-276-7
Base, air cleaner	235101
Cover, air cleaner	235102
Element	235116
Element, pre-cleaner	237421
Gasket, air horn	275341
BAFFLES & SHROUD — Group 2	
Washer, 1/4	X-25-53
Screw, H.C., 1/4-20x3/4 (4)	X-132-2
Screw, H.C., 1/4-20x1/2 (2)	X-132-6
Baffle, side air	235652
Baffle, cylinder	236676
Baffle, head	237677
Housing, blower	47 027 19
BREATHER & VENT — Group 3	
Nut, hex., 1/4-20	X-799-1
Seal, breather	231032
Reed, breather	235047
Gasket, breather plate	235048
Baffle, breather	235117
Filter, breather	235118
Plate, breather	235631
Cover, valve	275143
Gasket, valve cover	275144
Stud, valve cover	275220
CAMSHAFT & VALVES — Group 4	
Retainer, spring (2)	230011
Valve, intake	235008
Spring, valve (2)	235010
Retainer, upper (2)	235011
Pin, camshaft	235193
Tappet (2)	D-235327
Valve, exhaust	235826
Kit, retainer (2)	41 755 10
Spacer, .005 (A.R.)	275066
Spacer, .010 (A.R.)	275067
Camshaft assembly	47 010 09
Spring, actuating	47 089 01
CARBURETOR — Group 5	
Screw, sltd. hd., 5/16-18x1 (2)	X-770-1
Connector, 90° hose	X-391-1
Gasket, carburetor	271030
Carburetor assembly	47 053 13
Spring, idle speed	232555
Screw, idle speed adj.	232556
Spring, idle fuel	200380
Needle, idle fuel adj.	235006
Spring, main fuel	200383
Needle, main fuel adj.	235415
Kit, float	25 757 03
Gasket, bowl baffle	25 041 02
Pin, float hinge	200376
Gasket, bowl	200375
Bowl, fuel	235448
Screw, bowl retainer	47 100 06
Gasket, bowl retainer screw	200372
Rod, ball joint	235277
Joint, ball	45 208 03
Kit, carburetor repair	25 757 01
CRANKCASE — Group 7	
Screw, H.C., 1/4-20x1/2 (4)	X-132-6
Screw, H.C., 3/8-16x1 (4)	X-159-2
Plug, expansion	X-230-11
Seal, front oil	X-271-30
Seal, rear oil	X-379-9
Gasket, camshaft cover	235025
Cover, camshaft	235026
Gasket, brg. pit. .010 (A.R.)	235070
Shaft, governor	A-235125-S
Bearing, ball (2)	235376
Gasket	235757
Plate, bearing	45 156 02

DESCRIPTION	PART NO.
Block, cylinder assembly (USE: Miniblock)	B-237696
Insert, valve seat	230170
Insert, intake	230265
Guide, valve (2)	235007-S
Bearing	234866
CRANKSHAFT — Group 8	
Crankshaft	B-235949
CYLINDER HEAD — Group 9	
Washer (2)	X-22-1
Washer, 3/8 (2)	X-25-28
Spacers (2)	X-400-71
Studs (2)	237522
Gasket, head	237658
Head, cylinder	237670
Screw, H.C., 3/8-16x1-1/2 (6)	270158
Screw, H.C., 3/8-16x1-3/4	270721
Washer, 3/8 (10)	270889
Nut (4)	X-83-2
Strap, lifting	47 445 01
DIPSTICK — Group 10	
Dipstick	A-235068
Tube, oil fill	275875
ELECTRIC START — Group 11	
Washer, 3/8 (2)	X-22-1
Washer, 3/8	X-25-41
Screw, self tapping	X-67-62
Screw, H.C. (2)	234380
Bracket, support	237239
Starter assembly	A-237511
Kit, drive	47 755 07
Kit, drive parts	47 755 13
Cap, drive end	237361
Armature	47 170 01
Cap, commutator end	48 227 04
Kit, brush	48 755 15
Thru bolt w/washer (2)	237646
FLYWHEEL — Group 13	
Washer 5/8	X-25-104
Nut, lock 5/8-18	X-119-14
Screw, T.H., 1/4-20x5/8 (4)	47 086 05
Key	X-286-17
Screen, grass	236688
Flywheel	47 025 28
Washer, plain, 1/4 (4)	X-25-52
FUEL PUMP — Group 14	
Washer, 1/4 (2)	X-25-63
Screw, F.H.M., 1/4-20x3/4 (2)	X-174-2
Clamp, hose (2)	X-426-9
Line, fuel	X-810-1
Gasket, fuel pump	47 041 04
Pump, fuel	47 559 04
Connector, 90° hose	X-391-1
Connector, 90° hose	X-391-11
FUEL TANK — Group 15	
Strap, tank 24-13/16 (2)	237639
Line, fuel	X-809-1
Bracket, upper tank assy.	47 217 10
Webbing (2)	X-295-35
Bracket, upper tank	45 066 03
Tank, fuel	235164
Valve, shut-off	47 462 01
GOVERNOR — Group 17	
Washer, 1/4	X-25-55
Spacer	X-400-80
Pin, governor stop	231355
Retainer, rod	235278
Bushing	235476
Spring, governor	235496
Washer, thrust	237022
Kit, governor gear	A-235743-S
Shaft, governor cross	237455
Bracket, speed control assy.	A-236947
Washer, 1/4	X-25-63

DESCRIPTION	PART NO.
Washer, 1/4	X-25-102
Screw, 8-32x1/4	X-51-8
Screw, H.C., 1/4-20x1-1/4	X-132-9
Clamp, wire	48 237 02
Bracket, adjusting screw	235084
Spacer	235085
Bracket, speed control	236249
Washer, tension	275690
Lever, governor assy.	A-237653
Washer, 1/4	X-25-72
Nut, hex., 1/4-20	X-81-1
Screw, sems 1/4-20x1-1/4	X-776-1
IGNITION — Group 18	
Washer 1/4 (2)	X-25-52
Screw, sht. mtl., 8-32x3/8	X-67-59
Screw, F.H.M., 10-24x3/8 (4)	X-131-1
Screw, H.C., 1/4-20x3/4	X-132-2
Rod, breaker	47 411 04
Clip	X-728-1
Screw, R.H., 10-24x3/4 (4)	X-778-1
Gasket, breaker	220174
Cover, breaker	232535
Lead, high tension	238057
Clip	275303
Stator	237878
Plug, spark	235041-S
Breaker	47 150 03
Condenser	230722
Lead, breaker	A-231229
Coil, ignition	231281
Screw, H.C., 1/4-20x1 (2)	X-132-4
Connector	236602
Regulator, rectifier	41 403 05
INSTRUMENT PANEL — Group 19	
Screw, H.C., 1/4-20x1/2 (2)	X-132-6
Screw, 1/4-20x5/8	X-5-1
Nut	X-101-8
Webbing (2)	X-295-20
Bracket, lower fuel tank	47 066 02
Bracket, control panel	47 126 16
Screw, H.C., 1/4-20x1/2 (2)	X-5-13
Washer, lock 1/4 (2)	X-20-1
Washer, lock 1/2	X-22-38
Washer, lock (4)	X-22-6
Washer, 5/16 (2)	X-25-5
Nut, H.P., 1/4-20 (2)	X-81-1
Switch	230442
Panel, control	237594
Switch, toggle	238011
Holder, fuse	41 323 02
OIL PAN — Group 21	
Plug, pipe 3/4	X-75-6
Screw, H.C., 3/8-16x1-1/4 (4)	X-159-3
Gasket, pan	235057
Base, oil pan	235115
PISTON & ROD — Group 22	
Rod, conn. assy. (Std.)	A-237344
Rod, conn. assy. (.010 U.S.)	A-237344-10
Piston assembly (Std.)	47 074 16
Piston assembly (.003)	47 074 17
Piston assembly (.010)	47 074 18
Piston assembly (.020)	47 074 19
Piston assembly (.030)	47 074 20
Ring set (Std. & .003)	235889
Ring set (.010)	235890
Ring set (.020)	235891
Ring set (.030)	235892
Retainer, pin (2)	47 018 01
THROTTLE CABLE — Group 24	
Washer, lock #8 (2)	X-18-2
Washer, 1/8 (2)	X-25-6
Screw, R.H.M., 8-32x1 (2)	X-51-3
Control, throttle	235160
Miniblock	B-237696
Gasket Set w/seals	47 755 08
Gasket Set w/o seals	47 004 01

DESCRIPTION	PART NO.
AIR INTAKE — Group 1	
Screw, H.C., 10-32x3/8 (3)	X-167-2
Nut, wing	X-276-7
Base, air cleaner	235101
Cover, air cleaner	235102
Element	235116
Gasket, air horn	275341
BAFFLES & SHROUD — Group 2	
Washer, 1/4 I.D.	X-25-53
Screw, H.C., 1/4-20x3/4 (4)	X-132-2
Screw, H.C., 1/4-20x1/2 (2)	X-132-6
Baffle, side air	235652
Housing, blower	235693
Baffle, cylinder	236676
Baffle, head	237677
BREATHER & VENT — Group 3	
Nut, hex., 1/4-20	X-799-1
Seal, breather	231032
Reed, breather	235047
Gasket, breather plate	235048
Baffle, breather	235117
Filter, breather	235118
Plate, breather	235631
Cover, valve	275143
Gasket, valve cover	275144
Stud, valve cover	275220
CAMSHAFT & VALVES — Group 4	
Retainer, spring (2)	230011
Valve, intake	235008
Spring, valve (2)	235010
Retainer, upper (2)	235011
Pin, camshaft	235193
Tappet (2)	D-235327
Valve, exhaust	235826
Kit, retainer (2)	41 755 10
Spacer, .005 (A.R.)	275066
Spacer, .010 (A.R.)	275067
Camshaft assembly	47 010 06
Spring, actuating	47 089 01
CARBURETOR — Group 5	
Screw, sltd. hd., 5/16-18x1 (2)	X-770-1
Connector, 90° hose	X-391-1
Gasket, carburetor	271030
Carburetor assembly	47 053 13
Spring, idle speed	232555
Screw, idle speed adj.	232556
Spring, idle fuel	200380
Needle, idle fuel adj.	235006
Spring, main fuel	200383
Needle, main fuel adj.	235415
Kit, float	25 757 03
Gasket, bowl baffle	25 041 02
Pin, float hinge	200376
Gasket, bowl	200375
Bowl, fuel	235448
Screw, bowl retainer	47 100 06
Gasket, bowl retainer screw	200372
Rod, ball joint	235277
Joint, ball	45 208 03
Kit, carburetor repair	25 757 01
CRANKCASE — Group 7	
Washer, plain, 1/4	X-25-68
Screw, H.C., 1/4-20x5/8	X-132-5
Screw, H.C., 1/4-20x1/2 (3)	X-132-6
Plug, pipe	X-75-31
Screw, H.C., 3/8-16x1 (4)	X-159-2
Plug, expansion	X-230-11
Seal, front oil	X-271-30
Seal, rear oil	X-379-9
Gasket, camshaft cover	235025
Cover, camshaft	235026
Gasket, brg. pl. .010 (A.R.)	235070

DESCRIPTION	PART NO.
Shaft, governor	235125-S
Bearing, ball (2)	235376
Gasket, bearing plate	235757
Shaft (2)	236559
Plate, bearing	45 156 03
Block, cylinder assembly (USE: Miniblock)	47 782 21
Insert, valve seat	230170
Guide, valve (2)	235007-S
CRANKSHAFT — Group 8	
Retainer (2)	X-269-34
Crankshaft	47 014 14
Gear assembly (2)	47 042 01
Bearing, needle (2)	47 030 01
Kit, spacer	47 755 01
CYLINDER HEAD — Group 9	
Strap, lifting	47 445 01
Gasket, head	237658
Head, cylinder	237670
Screw, H.C., 3/8-16x1-1/2 (8)	270158
Screw, H.C., 3/8-16x1-3/4	270721
Washer, 3/8 (10)	270889
DIPSTICK — Group 10	
Dipstick	A-235092
EXHAUST — Group 12	
Nipple, pipe	41 136 02
Muffler	275679
FLYWHEEL — Group 13	
Washer 5/8	X-25-104
Nut 5/8-18	X-119-14
Screw, 1/4-20x5/8 (4)	47 086 05
Key	X-286-17
Flywheel	A-235908
Screen, grass	47 162 02
Washer, plain, 1/4 (4)	X-25-52
FUEL PUMP — Group 14	
Washer, 1/4 (2)	X-25-63
Screw, F.H.M., 1/4-20x3/4 (2)	X-174-2
Clamp, hose (2)	X-426-9
Line, fuel	X-810-1
Gasket, fuel pump	47 041 04
Pump, fuel	47 559 04
Connector, 90° hose	X-391-1
Connector, 90° hose	X-391-11
GOVERNOR — Group 17	
Washer, lock #10 (2)	X-19-1
Washer, 1/4	X-25-55
Nut, hex., 10-32 (2)	X-70-3
Spacer	X-400-80
Pin, governor stop	231355
Bushing	235476
Screw, shoulder	235477
Spring, governor	235496
Washer, thrust	237022
Kit, governor gear	A-236294-S
Shaft, governor cross	237455
Bracket, speed control assy.	45 217 04
Washer, plain, 1/4	X-25-63
Nut, hex.	X-70-3
Screw, 1/4-20x1-1/4 (2)	X-132-9
Bracket, adjusting screw	235084
Bracket, speed control	235086
Rod, throttle	235277
Retainer	235278
Washer, tension	275690
Spacer	45 112 01
Rod, throttle assy.	A-236949
Nut, hex., 10-32 (2)	X-70-3
Rod, throttle	235078
Joint, ball (2)	237130

DESCRIPTION	PART NO.
Lever, governor assy.	A-237444
Washer, 1/4	X-25-72
Nut, hex.	X-81-1
Screw, 1/4-20x1-1/4	X-776-1
IGNITION — Group 18	
Washer, 1/4	X-25-68
Screw, self tapping, 8-32x3/8	X-67-59
Screw, F.H.M., 10-24x3/8 (4)	X-131-1
Screw, H.C., 1/4-20x7/8 (2)	X-132-7
Screw, condenser, 6-32x1/4	X-144-2
Rod, breaker	47 411 04
Clip	X-728-1
Gasket, cover	220174
Grommet	220297
Boot, spark plug	220791
Cover, breaker	A-220136
Plug, spark	235040-S
Clip	275303
Clip, cable	275183
Condenser	47 147 01
Breaker	47 150 03
Stator assembly	A-235741
Coil	47 145 02
Screw	234423
Cable, high tension	234424
Core & plate	235759
Clip, coil	237919
OIL PAN — Group 21	
Plug, pipe 3/4	X-75-6
Screw, H.C., 3/8-16x1-1/4 (4)	X-159-3
Gasket, pan	235057
Base, oil pan	235115
PISTON & ROD — Group 22	
Rod, conn. assy. (Std.)	A-237344
Rod, conn. assy. (.010 U.S.)	A-237344-10
Piston assembly (Std.)	47 074 16
Piston assembly (.003)	47 074 17
Piston assembly (.010)	47 074 18
Piston assembly (.020)	47 074 19
Piston assembly (.030)	47 074 20
Ring set (Std. & .003)	235889
Ring set (.010)	235890
Ring set (.020)	235891
Ring set (.030)	235892
Retainer, pin (2)	47 018 01
RETRACTABLE STARTER — Group 23	
Screw, H.C. (5)	X-156-2
Cup	235685
Starter, recoil assembly	47 165 01
Spring	231705
Screw, 10x1/2	231683
Sheave	231685
Cord, #6 Nylon, 66"	231686
Brake	231689
Washer	231690
Screw, 10-32x5/8	231691
Dog	231695
Washer, thrust	231692
Washer, spacer	231693
Pulley	231697
Retainer	231699
Spring, retainer	232525
Spacer, nylon	47 112 04
Housing	235696
Handle	234452
Miniblock	47 782 21
Gasket set w/seals	47 755 08
Gasket set w/o seals	47 004 01

DESCRIPTION	PART NO.	DESCRIPTION	PART NO.	DESCRIPTION	PART NO.
AIR INTAKE — Group 1		Cover, camshaft	235026	Lever, governor assy.	A-237444
Screw, H.C., 10-32x3/8 (3)	X-167-2	Gasket, brg. pl. .010 (A.R.)	235070	Washer, 1/4	X-25-72
Nut, wing	X-276-7	Shaft, governor	235125-S	Nut, hex.	X-81-1
Base, air cleaner	235101	Bearing, ball (2)	235376	Screw, 1/4-20x1-1/4	X-776-1
Cover, air cleaner	235102	Gasket, bearing plate	235757	IGNITION — Group 18	
Element	235116	Shaft (2)	236559	Washer, 1/4	X-25-68
Element, pre-cleaner	237421	Plate, bearing	45 156 03	Screw, self tapping, 8-32x3/8	X-67-59
Gasket, air horn	275341	Block, cylinder assembly (USE: Miniblock)	47 782 21	Screw, F.H.M., 10-24x3/8 (4)	X-131-1
BAFFLES & SHROUD — Group 2		Insert, exhaust	230170	Screw, H.C., 1/4-20x7/8 (2)	X-132-7
Washer, 1/4	X-25-53	Guide, valve (2)	235007-S	Screw, condenser, 6-32x1/4	X-144-2
Screw, H.C., 1/4-20x3/4 (4)	X-132-2	Insert, intake	230265	Rod, breaker	47 411 04
Screw, H.C., 1/4-20x1/2 (2)	X-132-6	CRANKSHAFT — Group 8		Clip	X-728-1
Baffle, side air	235652	Retainer (2)	X-269-34	Gasket, cover	220174
Housing, blower	235693	Crankshaft	47 014 14	Grommet	220297
Baffle, cylinder	236676	Gear assembly (2)	47 042 01	Boot, spark plug	220791
Baffle, head	237677	Bearing, needle (2)	47 030 01	Cover, breaker	A-220136
BREATHER & VENT — Group 3		Kit, spacer	47 755 01	Plug, spark	235040-S
Nut, hex., 1/4-20	X-799-1	CYLINDER HEAD — Group 9		Clip	275303
Seal, breather	231032	Strap, lifting	47 445 01	Clip, cable	275183
Reed, breather	235047	Gasket, head	237658	Condenser	47 147 01
Gasket, breather plate	235048	Head, cylinder	237670	Breaker	47 150 03
Baffle, breather	235117	Screw, H.C., 3/8-16x1-1/2 (8)	270158	Stator assembly	A-235741
Filter, breather	235118	Screw, H.C., 3/8-16x1-3/4	270721	Coil	47 145 02
Plate, breather	235631	Washer, 3/8 (10)	270889	Screw	234423
Cover, valve	275143	DIPSTICK — Group 10		Cable, high tension	234424
Gasket, valve cover	275144	Tube, oil fill	237012	Core & plate	235759
Stud, valve cover	275220	Dipstick	237013	Clip, coil	237919
CAMSHAFT & VALVES — Group 4		FLYWHEEL — Group 13		OIL PAN — Group 21	
Rotator (2)	230020	Washer 5/8	X-25-104	Plug, pipe 3/4	X-75-6
Retainer, upper (2)	235011	Nut 5/8-18	X-119-14	Screw, H.C., 3/8-16x1-1/4 (4)	X-159-3
Spring, valve (2)	235168	Screw, 1/4-20x5/8 (4)	47 086 05	Gasket, pan	235057
Pin, camshaft	235193	Key	X-286-17	Base, oil pan	235115
Tappet (2)	D-235327	Flywheel	A-235908	PISTON & ROD — Group 22	
Valve, intake	235582	Screen, grass	47 162 02	Rod, conn. assy. (Std.)	A-237344
Valve, exhaust	235838	Washer, plain, 1/4 (4)	X-25-52	Rod, conn. assy. (.010 U.S.)	A-237344-10
Kit, retainer (2)	41 755 10	FUEL PUMP — Group 14		Piston assembly (Std.)	47 074 16
Spacer, .005 (A.R.)	275066	Washer, 1/4 (2)	X-25-63	Piston assembly (.003)	47 074 17
Spacer, .010 (A.R.)	275067	Screw, F.H.M., 1/4-20x3/4 (2)	X-174-2	Piston assembly (.010)	47 074 18
Camshaft assembly	47 010 06	Clamp, hose (2)	X-426-9	Piston assembly (.020)	47 074 19
Spring, actuating	47 089 01	Line, fuel	X-807-3	Piston assembly (.030)	47 074 20
CARBURETOR — Group 5		Gasket, fuel pump	47 041 04	Ring set (Std. & .003)	235889
Screw, sltd. hd., 5/16-18x1 (2)	X-770-1	Pump, fuel	47 559 04	Ring set (.010)	235890
Connector, 90° hose	X-391-1	Connector, 90° hose	X-391-1	Ring set (.020)	235891
Gasket, carburetor	271030	Connector, 90° hose	X-380-1	Ring set (.030)	235892
Carburetor assembly	47 053 13	GOVERNOR — Group 17		Retainer, pin (2)	47 018 01
Spring, idle speed	232555	Washer, lock #10 (2)	X-19-1	RETRACTABLE STARTER — Group 23	
Screw, idle speed adj.	232556	Washer, 1/4	X-25-55	Screw, H.C. (5)	X-156-2
Spring, idle fuel	200380	Nut, hex., 10-32 (2)	X-70-3	Cup	235685
Needle, idle fuel adj.	235006	Spacer	X-400-80	Starter, recoil assembly	47 165 01
Spring, main fuel	200383	Pin, governor stop	231355	Spring	231705
Needle, main fuel adj.	235415	Bushing	235476	Screw, 10x1/2	231683
Kit, float	25 757 03	Screw, shoulder	235477	Sheave	231685
Gasket, bowl baffle	25 041 02	Spring, governor	235496	Cord, #6 Nylon, 6"	231686
Pin, float hinge	200376	Washer, thrust	237022	Brake	231689
Gasket, bowl	200375	Kit, governor gear	A-236294-S	Washer	231690
Bowl, fuel	235448	Shaft, governor cross	237455	Screw, 10-32x5/8	231691
Screw, bowl retainer	47 100 06	Bracket, speed control assy.	45 217 04	Dog	231695
Gasket, bowl retainer screw	200372	Washer, plain, 1/4	X-25-63	Washer, thrust	231692
Rod, ball joint	235277	Nut, hex.	X-70-3	Washer, spacer	231693
Joint, ball	45 208 03	Screw, 1/4-20x1-1/4 (2)	X-132-9	Pulley	231697
Kit, carburetor repair	25 757 01	Bracket, adjusting screw	235084	Retainer	231699
CRANKCASE — Group 7		Rod, throttle	235277	Spring, retainer	232525
Washer, plain, 1/4	X-25-68	Retainer	235278	Spacer, Nylon	47 112 04
Screw, H.C., 1/4-20x5/8	X-132-5	Washer, tension	275690	Housing	235696
Screw, H.C., 1/4-20x1/2 (3)	X-132-6	Spacer	45 112 01	Handle	234452
Plug, pipe, intake hole	X-75-23	Rod, throttle assy.	A-236949	Miniblock	47 782 21
Plug, pipe	X-75-31	Nut, hex., 10-32 (2)	X-70-3	Gasket Set w/seals	47 755 08
Screw, H.C., 3/8-16x1 (4)	X-159-2	Rod, throttle	235078	Gasket Set w/o seals	47 004 01
Plug, expansion	X-230-11	Joint, ball (2)	237130		
Seal, front oil	X-271-30				
Seal, rear oil	X-379-9				
Gasket, camshaft cover	235025				

DESCRIPTION	PART NO.	DESCRIPTION	PART NO.	DESCRIPTION	PART NO.
AIR INTAKE — Group 1		Shaft, governor		IGNITION — Group 18	
Screw, H.C., 10-32x5/16 (3)	X-167-2	Bearing, ball (2)	235025-S	Washer, plain, 1/4	X-25-68
Nut, wing	X-276-7	Gasket, bearing plate	235376	Screw, self tapping, 8-32x3/8	X-67-59
Base, air cleaner	235101	Shaft (2)	235757	Screw, sems (4)	X-131-1
Cover, air cleaner	235102	Plate, bearing	236559	Screw, sems, 1/4-20x7/8 (2)	X-132-7
Element	235116	Block, cylinder assembly	45 156 03	Screw, sems, 6-32x1/4	X-144-2
Gasket, air horn	275341	(USE: Miniblock)	47 782 21	Rod, push	47 411 04
BAFFLES & SHROUD — Group 2		Insert, exhaust	230170	Clip	X-728-1
Washer, 1/4	X-25-53	Guide, valve (2)	235007-S	Gasket, point cover	52 041 11
Screw, H.C., 1/4-20x3/4 (4)	X-132-2	CRANKSHAFT — Group 8		Grommet	220297
Screw, H.C., 1/4-20x1/2 (2)	X-132-6	Retainer (2)	X-269-34	Boot, spark plug	220791
Baffle, side air	235652	Crankshaft	47 014 14	Cover, breaker	A-220136
Housing, blower	235693	Gear assembly (2)	47 042 01	Clip	275183
Baffle, cylinder	236676	Bearing, needle (2)	47 030 01	Clip	275303
Baffle, head	237677	Kit, spacer	47 755 01	Spark plug	235040-S
BREATHER & VENT — Group 3		CYLINDER HEAD — Group 9		Condenser	47 147 01
Nut, hex., 1/4-20	X-799-1	Strap, lifting	47 445 01	Breaker	47 150 03
Seal breather	231032	Gasket, head	237658	Stator assembly	A-235741
Rein. gasket	235047	Head, cylinder	237670	Coil	47 145 02
Gasket, breather plate	235048	Screw, 3/8-16x1-1/2	270158	Screw	234423
Baffle, breather	235117	Screw, H.C., 3/8-16x1-3/4	270721	Cable, high tension	234424
Filter, breather	235118	Washer, 3/8 (10)	270889	Core & plate	235759
Plate, breather	235631	DIPSTICK — Group 10		Clip, coil	237919
Cover, valve	275143	Dipstick	A-235092	OIL PAN — Group 21	
Gasket, valve cover	275144	FLYWHEEL — Group 13		Plug, pipe 3/4	X-75-6
Stud, valve cover	275220	Washer 5/8	X-25-104	Screw, H.C., 3/8-16x1-1/4 (4)	X-159-3
CAMSHAFT & VALVES — Group 4		Nut 5/8-18	X-119-14	Gasket, pan	235057
Retainer, spring (2)	230011	Screw, 1/4-20x5/8 (4)	47 086 05	Base, oil pan	235115
Valve, intake	235008	Key	X-286-17	PISTON & ROD — Group 22	
Spring, valve (2)	235010	Flywheel	A-23508	Rod, conn. assy. (Std.)	A-237344
Retainer, upper (2)	235011	Screen, grass	47 162 02	Rod, conn. assy. (.010 U.S.)	A-237344-10
Pin, camshaft	235193	Washer, plain, 1/4 (4)	X-25-52	Piston assembly (Std.)	47 074 16
Tappet (2)	D-235327	FUEL PUMP — Group 14		Piston assembly (.003)	47 074 17
Valve, exhaust	235826	Washer, 1/4 (2)	X-25-63	Piston assembly (.010)	47 074 18
Kit, retainer (2)	41 755 10	Screw, F.H.M., 1/4-20x3/4 (2)	X-174-2	Piston assembly (.020)	47 074 19
Spacer, .005 (A.R.)	275066	Clamp, hose (2)	X-426-9	Piston assembly (.030)	47 074 20
Spacer, .010 (A.R.)	275067	Line, fuel	X-807-3	Ring set (Std. & .003)	235889
Camshaft assembly	47 010 06	Gasket, fuel pump	47 041 04	Ring Set (.010)	235890
Spring, actuating	47 089 01	Pump, fuel	47 559 04	Ring set (.020)	235891
CARBURETOR — Group 5		Connector, 90° hose	X-391-1	Ring set (.030)	235892
Screw, sltd. hd., 5/16-18x1 (2)	X-770-1	Connector, 90° hose	X-380-1	Retainer, pin (2)	47 018 01
Connector, 90° hose	X-391-1	GOVERNOR — Group 17		RETRACTABLE STARTER — Group 23	
Gasket, carburetor	271030	Washer, lock #10 (2)	X-19-1	Screw, H.C. (5)	X-156-2
Carburetor assembly	47 053 13	Washer, 1/4	X-25-55	Cup	235685
Spring, idle speed	232555	Nut, hex., 10-32 (2)	X-70-3	Starter, recoil assembly	47 165 01
Screw, idle speed adj.	232556	Spacer	X-400-80	Spring	231705
Spring, idle fuel	200380	Pin, governor stop	231355	Screw, 10x1/2	231683
Needle, idle fuel adj.	235006	Bushing	235476	Sheave	231685
Spring, main fuel	200383	Screw, shoulder	235477	Cord, #6 Nylon, 66"	231686
Needle, main fuel adj.	235415	Spring, governor	235496	Brake	231689
Kit, float	25 757 03	Washer, thrust	237022	Washer	231690
Gasket, bowl baffle	25 041 02	Kit, governor gear	A-236294-S	Screw, 10-32x5/8	231691
Pin, float hinge	200376	Shaft, governor cross	237455	Dog	231695
Gasket, bowl	200375	Bracket, speed control assy.	45 217 04	Washer, thrust	231692
Bowl, fuel	235448	Washer, plain, 1/4	X-25-63	Washer, spacer	231693
Screw, bowl retainer	47 100 06	Nut, hex.	X-70-3	Pulley	231697
Gasket, bowl retainer screw	200372	Screw, 1/4-20x1-1/4 (2)	X-132-9	Retainer	231699
Rod, ball joint	235277	Bracket, adjusting screw	235084	Spring, retainer	232525
Joint, ball	45 208 03	Bracket, speed control	235086	Spacer, nylon	47 112 04
Kit, carburetor repair	25 757 01	Rod, throttle	235277	Housing	235696
CRANKCASE — Group 7		Retainer	238278	Handle	234452
Washer, plain, 1/4	X-25-68	Washer, tension	275690	Miniblock	47 782 21
Screw, H.C., 1/4-20x5/8	X-132-5	Spacer	45 112 01	Gasket Set w/seals	47 755 08
Screw, H.C., 1/4-20x1/2 (3)	X-132-6	Rod, throttle assy.	A-236949	Gasket Set w/o seals	47 004 01
Plug, pipe	X-75-31	Nut, hex., 10-32 (2)	X-70-3		
Screw, H.C., 3/8-16x1 (4)	X-159-2	Rod, throttle	235078		
Plug, expansion	X-230-11	Joint, ball (2)	237130		
Seal, front oil	X-271-30	Lever, governor assy.	A-237444		
Seal, rear oil	X-379-9	Washer, 1/4	X-25-72		
Gasket, camshaft cover	235025	Nut, hex.	X-81-1		
Cover, camshaft	235026	Screw, 1/4-20x1-1/4	X-776-1		
Gasket, brg. pl. .010 (A.R.)	235070				

DESCRIPTION	PART NO.	DESCRIPTION	PART NO.	DESCRIPTION	PART NO.
AIR INTAKE — Group 1		Gasket	235757	Bracket, upper tank assy.	47 217 10
Screw, H.C., 10-32x5/16 (3)	X-167-2	Shaft (2)	236559	Webbing (2)	X-295-35
Nut, wing	X-276-7	Plate, bearing	45 156 02	Bracket, upper tank	45 066 03
Base, air cleaner	235101	Block, cylinder assembly		Bracket, lower tank assy.	47 217 11
Cover, air cleaner	235102	(USE: Miniblock)	C-237416	Webbing (2)	X-295-25
Element	235116	Insert, exhaust	230170	Bracket, lower tank	47 066 02
Gasket, air horn	275341	Guide, valve (2)	235007-S		
		Bearing	234866		
BAFFLES & SHROUD — Group 2		CRANKSHAFT — Group 8		GOVERNOR — Group 17	
Washer, 1/4	X-25-53	Retainer (2)	X-269-34	Washer, 1/4	X-25-55
Screw, H.C., 1/4-20x3/4 (4)	X-132-2	Crankshaft	B-235923	Spacer	X-400-80
Screw, H.C., 1/4-20x1/2 (2)	X-132-6	Gear assembly (2)	47 042 01	Pin, governor stop	231355
Baffle, side air	235652	Bearing, needle (2)	47 030 01	Retainer, rod	235278
Baffle, cylinder	236676	Kit, spacer	47 755 01	Bushing	235476
Baffle, head	237677			Spring, governor	235496
Housing, blower	47 027 19			Washer, thrust	237022
BREATHER & VENT — Group 3		CYLINDER HEAD — Group 9		Kit, governor gear	A-235743-S
Nut, hex., 1/4-20	X-799-1	Washer (2)	X-22-1	Shaft, governor	237455
Seal, breather	231032	Washer, 3/8 (2)	X-25-28	Lever, governor assy.	A-237653
Reed, breather	235047	Spacers (2)	X-400-71	Washer, 1/4	X-25-72
Gasket, breather plate	235048	Studs (2)	237522	Nut, hex., 1/4-20	X-81-1
Baffle, breather	235117	Gasket, head	237658	Screw, 1/4-20x1-1/4	X-776-1
Filter, breather	235118	Head, cylinder	237670	Bracket, speed control assy.	A-236895
Plate, breather	235631	Screw, H.C., 3/8-16x1-1/2 (6)	270158	Washer, 1/4	X-25-63
Cover, valve	275143	Screw, H.C., 3/8-16x1-3/4	270721	Washer, 1/4	X-25-102
Gasket, valve cover	275144	Washer, 3/8 (10)	270889	Screw	X-51-8
Stud, valve cover	275220	Nut (4)	X-83-2	Spacer	235085
		Strap, lifting	47 445 01	Bracket	235084
CAMSHAFT & VALVES — Group 4		DIPSTICK — Group 10		Bracket	235086
Retainer, spring (2)	230011	Dipstick	A-235092	Washer, wave	275690
Valve, intake	235008			Screw, H.C., 1/4-20x1-1/4	X-132-9
Spring, valve (2)	235010			Kit, clamp	48 755 10
Retainer, upper (2)	235011	ELECTRIC START — Group 11			
Pin, camshaft	235193	Washer 3/8 (2)	X-22-1	IGNITION — Group 18	
Tappet (2)	D-235327	Washer, 3/8	X-25-41	Washer 1/4 (2)	X-25-52
Valve, exhaust	235826	Screw, self tapping	X-67-62	Screw, sht. mtl.	X-67-59
Kit, retainer (2)	41 755 10	Screw, H.C. (2)	234380	Screw, F.H.M., 10-24x3/8 (4)	X-131-1
Spacer, .005 (A.R.)	275066	Bracket, support	237239	Screw, H.C., 1/4-20x3/4	X-132-2
Spacer, .010 (A.R.)	275067	Starter assembly	A-237511	Rod, breaker	47 411 04
Camshaft assembly	47 010 09	Kit, drive	47 755 07	Clip	X-728-1
Spring, actuating	47 089 01	Kit, drive parts	47 755 13	Screw, R.H., 10-24x3/4 (4)	X-778-1
		Cap, drive end	237361	Gasket, breaker	220174
CARBURETOR — Group 5		Armature	47 170 01	Cover, breaker	232535
Screw, std. hd., 5/16-18x1 (2)	X-770-1	Cap, commutator end	48 227 04	Lead, high tension	238057
Connector, 90° hose	X-391-1	Kit, brush	48 755 15	Clip	275303
Gasket, carburetor	271030	Thru Bolt w/washer (2)	237646	Stator	237878
Carburetor assembly	47 053 13			Spark plug	47 132 06
Spring, idle speed	232555	EXHAUST — Group 12		Breaker	47 150 03
Screw, idle speed adj.	232556	Muffler	275679	Condenser	230722
Spring, idle fuel	200380	Nipple, pipe	41 136 02	Coil	231281
Needle, idle fuel adj.	235006	FLYWHEEL — Group 13		Screw, H.C.	X-132-4
Spring, main fuel	200383	Washer 5/8	X-25-104	Connector	236602
Needle, main fuel adj.	235415	Nut, lock 5/8-18	X-119-14	Regulator, rectifier	41 403 05
Spring, main fuel	200383	Screw, T.H., 1/4-20x5/8 (4)	47 086 05		
Needle, main fuel adj.	235415	Key	X-286-17	OIL PAN — Group 21	
Kit, float	25 757 03	Screen, grass	236688	Plug, pipe 3/4	X-75-6
Gasket, bowl baffle	25 041 02	Flywheel	47 025 28	Screw, H.C., 3/8-16x1-1/4	X-159-3
Pin, float hinge	200376	Washer, plain, 1/4 (4)	X-25-52	Gasket, pan	235057
Gasket, bowl	200375	FUEL PUMP — Group 14		Base, oil pan	235115
Bowl, fuel	235448	Washer, 1/4 (2)	X-25-63	PISTON & ROD — Group 22	
Screw, bowl retainer	47 100 06	Screw, F.H.M., 1/4-20x3/4 (2)	X-174-2	Rod, conn. assy. (Std.)	A-237344
Gasket, bowl retainer screw	200372	Clamp, hose (2)	X-426-9	Rod, conn. assy. (.010 U.S.)	A-237344-10
Rod, ball joint	235277	Line, fuel	X-807-3	Piston assembly (Std.)	47 074 16
Joint, ball	45 208 03	Gasket, fuel pump	47 041 04	Piston assembly (.003)	47 074 17
Kit, carburetor repair	25 757 01	Pump, fuel	47 559 04	Piston assembly (.010)	47 074 18
		Connector, 90° hose	X-391-1	Piston assembly (.020)	47 074 19
CRANKCASE — Group 7		Connector, 90° hose	X-391-11	Piston assembly (.030)	47 074 20
Plug, pipe (3)	X-75-31	FUEL TANK — Group 15		Ring set (Std. & .003)	235889
Screw, H.C., 1/4-20x1/2 (4)	X-132-6	Screw, H.C., 3/8-16x1-1/2 (2)	X-159-4	Ring set (.010)	235890
Screw, H.C., 3/8-16x1 (4)	X-159-2	Strap, tank 24-13/16 (2)	237639	Ring set (.020)	235891
Plug, expansion	X-230-11	Spacer (2)	X-400-89	Ring set (.030)	235892
Seal, front oil	X-271-30	Line, fuel	X-809-1	Retainer, pin (2)	47 018 01
Seal, rear oil	X-379-9	Valve, shut off	47 462 01		
Gasket, camshaft cover	235025	Tank, fuel	235164		
Cover, camshaft	235026			Miniblock	C-237416
Gasket, brg. plt. .010 (A.R.)	235070			Gasket Set w/seals	47 755 08
Shaft, governor	235125-S			Gasket Set w/o seals	47 004 01
Bearing, ball (2)	235376				

DESCRIPTION	PART NO.	DESCRIPTION	PART NO.	DESCRIPTION	PART NO.
AIR INTAKE — Group 1					
Screw, H.C., 10-32x11/16 (3)	X-67-93	Screw, H.C., 3/8-16x1 (4)	X-159-2	Screw, 1/4-20x3/8	X-132-6
Nut, wing	X-276-7	Plug	X-230-11	Spacer	X-400-80
Seal	47 032 03	Seal, front oil	X-271-30	Pin, governor stop	231355
Gasket, air horn	47 041 02	Seal, rear oil	X-379-9	Bushing	235476
Cover, air cleaner	47 082 01	Plug (2)	X-702-3	Washer, thrust	237022
Element	47 083 01	Gasket, cover	235025	Kit, governor gear	A-235743-S
Base, air cleaner	47 094 11	Cover, camshaft	235026	Shaft, governor cross	237455
Tube	47 134 02	Gasket, bearing plate (A.R.)	235070	Linkage, choke	47 079 01
BAFFLES & SHROUD — Group 2		Shaft, governor	235125-S	Spring, governor	47 091 01
Washer, 3/16 I.D. (3)	X-25-7	Bearing, ball (2)	235376	Washer, lock #10	X-19-1
Washer, plain, 1/4 I.D.	X-25-52	Gasket	235757	Screw, R.H.M., 10-24x3/8	X-50-13
Washer, 1/4 I.D. (2)	X-25-53	Plate, bearing	45 156 02	Nut, hex., 8-32	X-72-4
Washer, plain, 5/16 I.D.	X-25-20	Block, cylinder assembly (USE: Miniblock)	47 782 14	Spring, idle speed	232555
Nut, 1/4-20	X-81-1	Insert, exhaust	230170	Screw, idle speed adj.	232556
Screw, hex. hd., 1/4-20x3/4 (6)	X-132-2	Bearing	234866	Bracket	47 126 09
Screw, H.C., 1/4-20x5/8 (2)	X-132-5	Guide, valve (2)	235007-S	Clamp	47 237 02
Screw, H.C., 5/16-18x1-1/4	X-154-4	CRANKSHAFT — Group 8		Screw, H.C., 1/4-20x1-1/2	X-5-26
Screw, #10-32x3/8 (3)	X-167-3	Crankshaft	47 014 05	Washer, lock 1/4	X-20-1
Housing, blower	47 027 05	CYLINDER HEAD — Group 9		Washer, plain, 1/4 I.D.	X-25-63
Baffle, side air	47 063 01	Nut, 3/8-16 (2)	X-83-2	Nut, hex., 1/4-20	X-76-2
Baffle, cylinder	47 063 05	Spacers	X-400-71	Washer, wave (2)	275690
Screw, 1/4-20x1	47 086 02	Stud	237522	Lever, choke control	47 090 07
Baffle, head	47 124 03	Gasket, head	237658	Lever, throttle control	47 090 08
Bracket, duct support	47 126 08	Head, cylinder	237670	Spacer	47 112 02
Duct, air	47 281 06	Screw, H.C., 3/8-16x1-1/2 (7)	270158	Retainer, throttle rod	235278
BREATHER & VENT — Group 3		Washer, 3/8 I.D. (11)	270889	Nut, hex., 10-32	X-70-3
Nut, hex., 1/4-20	X-799-1	Bracket, baffle support	47 126 04	Rod, ball joint	235277
Seal, breather	231032	Screw, H.C., 3/8-16x1-3/4	270721	Joint, ball	45 208 03
Reed, breather	235047	DIPSTICK — Group 10		Lever, governor assembly	45 087 03
Gasket, breather plate	235048	Washer, lock #10	X-19-1	Screw, sems., 1/4-20x1-1/4	X-776-1
Plate, breather	235631	Washer, 3/16 I.D.	X-25-7	Palnut	X-799-1
Baffle, breather	270146	Washer, 1/4 I.D.	X-25-60	IGNITION — Group 18	
Gasket, valve cover	275144	Screw, R.H., 10-24x1/2 (3)	X-131-2	Washer, 1/4 (2)	X-25-73
Stud, valve cover	275220	Screw, 10-32x9/16	X-67-65	Screw, sht. mtl., 8-32x3/8	X-67-59
Filter, breather	47 050 01	Screw, H.C., 1/4-20x1/2	X-132-6	Screw, F.H.M., 10-24x3/8 (4)	X-131-1
Cover, valve	47 096 01	Clamp	X-785-1	Screw, H.C., 1/4-20x3/8	X-132-1
Hose, breather	47 326 01	Gasket	237064	Rod, breaker	47 411 04
CAMSHAFT & VALVES — Group 4		Dipstick	47 038 04	Clip, cable	X-728-1
Retainer, valve spring (2)	230011	Bracket, tube	47 126 11	Screw, R.H.M., 10-24x3/4 (4)	X-778-1
Valve, intake	235008	Tube, oil fill	47 180 03	Gasket, breaker	52 041 11
Spring, valve (2)	235010	ELECTRIC START — Group 11		Cover, breaker	232535
Retainer, spring upper (2)	235011	Washer, 3/8 (2)	X-22-1	Plate, coil	234323
Pin, camshaft	235193	Screw, H.C., 3/8-16x1-5/16 (2)	234948	Connector	236602
Tappet (2)	D-235327	Starter assembly	45 098 06	Lead, high tension	238057
Valve, exhaust	235826	Kit, drive	47 749 02	Clip	275303
Kit, retainer (2)	41 755 10	Kit, drive parts	47 755 13	Stator	237878
Spacer, camshaft .005 (A.R.)	275066	Cap, drive end	237650	Plug, spark	235041-S
Spacer, camshaft .010 (A.R.)	275067	Armature	45 170 02	Breaker	47 150 03
Camshaft assembly	47 010 09	Cap, commutator end	48 227 04	Clip	47 154 01
Spring, actuating	47 089 01	Kit, brush	48 755 15	Grommet, spark plug	47 313 01
CARBURETOR — Group 5		Thru bolt w/washer	237649	Condenser	230722
Connector, 90° hose	X-391-1	EXHAUST — Group 12		Coil, ignition	231281
Screw, sltd. hd., 5/16-18x1 (2)	X-770-1	Nut, lock	AC-1536	Connector	237757
Gasket, carburetor	47 049 01	Elbow, exhaust	47 054 01	Screw, H.C., 1/4-20x3/4 (2)	X-132-4
Carburetor assembly	47 053 07	FLYWHEEL — Group 13		Regulator, rectifier	41 403 05
Spring, idle speed	232555	Washer, 5/8 I.D.	X-25-104	OIL PAN — Group 21	
Screw, idle speed adj.	232556	Nut, lock	X-119-14	Plug, pipe, 1/4	X-75-2
Spring, idle fuel	200380	Screw, T.H., 1/4-20x5/8 (4)	47 086 05	Screw, H.C., 3/8-16x1-1/2 (4)	X-159-4
Needle, idle fuel adj.	235006	Key	X-286-17	Gasket, oil pan	235353
Spring, main fuel	200383	Flywheel	47 025 44	Pan, oil	47 755 11
Needle, main fuel adj.	235415	Screen, grass	47 162 10	PISTON & ROD — Group 22	
Kit, float	25 757 03	Washer, plain, 1/4 I.D. (4)	X-25-52	Rod, conn. assy. (Std.)	A-237344
Gasket, bowl baffle	25 041 02	FUEL PUMP — Group 14		Rod, conn. assy. (.010)	A-237344-10
Pin, float hinge	200376	Screw, F.H.M., 1/4-20x3/4 (2)	47 086 08	Piston assembly (Std.)	47 074 16
Gasket, bowl	200375	Clamp, hose (2)	X-426-9	Piston assembly (.003)	47 074 17
Bowl, fuel	235448	Line, fuel	X-810-1	Piston assembly (.010)	47 074 18
Screw, bowl retainer	47 100 06	Gasket, fuel pump	47 041 04	Piston assembly (.020)	47 074 19
Gasket, bowl retainer screw	200372	Pump, fuel	47 559 04	Piston assembly (.030)	47 074 20
Kit, repair	25 757 01	Washer, 1/4 I.D. (2)	X-25-63	Ring set (Std. & .003)	235889
CRANKCASE — Group 7		Connector, 90° hose	X-391-1	Ring set (.010)	235890
Screw, H.C., 1/4-20x5/8 (4)	X-132-5	GOVERNOR — Group 17		Ring set (.020)	235891
		Washer, 1/4 I.D.	X-25-55	Ring set (.030)	235892
		Washer, plain, 1/4 I.D.	X-25-72	Retainer (2)	47 018 01

DESCRIPTION	PART NO.	DESCRIPTION	PART NO.	DESCRIPTION	PART NO.
AIR INTAKE — Group 1		Gasket, camshaft cover	235025	Nut, hex., 1/4-20	X-81-1
Screw, sems, 10-32x3/8 (3)	X-167-2	Cover, camshaft	235026	Screw, sems., 1/4-20x1-1/4	X-776-1
Nut, wing	X-276-7	Gasket, brg. plate .010 (A.R.)	235070	Washer, 1/4 I.D.	X-25-63
Gasket, air horn	275341	Shaft, governor	235125-S	Screw, 1/4 I.D.	X-25-102
Base, air cleaner	45 094 01	Bearing, ball (2)	235376	Screw, 8-32x1/4	X-51-8
Cover, air cleaner	45 082 01	Gasket, brg. plate	235757	Clamp	48 755 10
Element	45 083 02	Shaft (2)	236559	Spacer	235085
Element, pre-cleaner	52 083 02	Plate, bearing	45 156 04	Bracket	235084
BAFFLES & SHROUD — Group 2		Plug, pipe (3)	47 139 01	Bracket	235086
Washer, 1/4 I.D.	X-25-53	Block, cylinder assembly (USE: Miniblock)	C-237416	Washer, wave	275690
Screw, H.C., 1/4-20x3/4 (4)	X-132-2	Insert, intake valve	230265	Screw, 1/4-20x1-1/4	X-132-9
Screw, H.C., 1/4-20x1/2 (2)	X-132-6	Guide, valve (2)	235007-S	IGNITION — Group 18	
Baffle, side air	235652	Insert, exhaust valve	230170	Washer, 1/4 (2)	X-25-52
Baffle, cylinder	236676	Bearing	234866	Screw, sht. mtl., 8-32x3/8	X-67-59
Baffle, head	237677	CRANKSHAFT — Group 8		Screw, F.H.M., 10-24x3/8 (4)	X-131-1
Housing, blower	47 027 18	Retainer (2)	X-269-34	Screw, H.C., 1/4-20x3/4	X-132-2
BREATHER & VENT — Group 3		Crankshaft	B-235837	Rod, breaker	47 411 04
Clamp, hose	X-426-3	Gear assembly (2)	47 042 01	Clip, hi-tension	X-728-1
Clamp, hose	X-426-9	Bearing, needle (2)	47 030 01	Screw, R.H., 10-24x3/4 (4)	X-778-1
Nut, hex., 1/4-20	X-799-1	Kit, spacer	47 755 01	Gasket, breaker cover	52 041 11
Seal, breather	231032	CYLINDER HEAD — Group 9		Cover, breaker	232535
Reed, breather	235047	Strap, lifting	47 445 01	Lead, high tension	238057
Gasket, breather plate	235048	Gasket, head	237658	Clip	275303
Baffle, breather	235117	Head, cylinder	237670	Stator	237878
Filter, breather	235118	Screw, H.C., 3/8-16x1-1/2 (8)	270158	Spark plug	235041-S
Plate, breather	235631	Screw, H.C., 3/8-16x1-3/4	270721	Breaker	47 150 03
Gasket, valve cover	275144	Washer, 3/8 I.D. (10)	270889	Screw, H.C., 1/4-20x3/4 (2)	X-132-4
Cover, valve	275839	DIPSTICK — Group 10		Connector	236602
Stud, valve cover	275220	Screw, R.H., 10-24x1/2 (3)	X-131-2	Regulator, rectifier	41 403 05
Hose	47 326 02	Gasket	237064	Condenser	230722
CAMSHAFT & VALVES — Group 4		Dipstick	47 038 03	Coil	231281
Retainer, valve spring	230011	Tube, oil fill	47 180 03	OIL PAN — Group 21	
Rotator, valve	230020	ELECTRIC START — Group 11		Plug, pipe 3/4	X-75-6
Valve, intake	235008	Washer, 3/8 (2)	X-22-1	Screw, H.C., 3/8-16x1-1/4 (4)	X-159-3
Spring, intake	235010	Screw, H.C., 3/8-16x1-11/32 (2)	234948	Gasket, pan	235057
Retainer, spring upper (2)	235011	Starter assembly	45 098 07	Base, oil pan	235115
Pin, camshaft	235193	Kit, drive	47 755 07	PISTON & ROD — Group 22	
Spring, valve	235168	Kit, drive parts	47 755 13	Rod, conn. assy. (Std.)	A-237344
Tappet (2)	D-235327	Cap, drive end	237650	Rod, conn. assy. (.010)	A-237344-10
Valve exhaust	235838	Armature	45 170 02	Piston assembly (Std.)	47 074 16
Kit, retainer (2)	41 755 10	Cap, commutator end	48 227 04	Piston assembly (.003)	47 074 17
Spacer, camshaft .005 (A.R.)	275066	Kit, brush	48 755 15	Piston assembly (.010)	47 074 18
Spacer, camshaft .010 (A.R.)	275067	Thru bolt w/washer	237649	Piston assembly (.020)	47 074 19
Camshaft assembly	47 010 09	FLYWHEEL — Group 13		Piston assembly (.030)	47 074 20
Spring, actuating	47 089 01	Washer, 5/8	X-25-104	Ring set (Std. & .003)	235889
CARBURETOR — Group 5		Nut, lock, 5/8-18	X-119-14	Ring set (.010)	235890
Connector, 90° hose	X-391-1	Key	X-286-17	Ring set (.020)	235891
Screw, sltd. hd., 5/16-18x1 (2)	X-770-1	Flywheel	47 025 28	Ring set (.030)	235892
Gasket, carburetor	271030	FUEL PUMP — Group 14		Retainer (2)	47 018 01
Carburetor assembly	47 053 29	Screw, F.H.M., 1/4-20x3/4 (2)	47 086 08	MINIBLOCK	
Spring, idle speed	232555	Clamp, hose (2)	X-426-9	Short Block	D-237530
Screw, idle speed adj.	232556	Line, fuel	X-810-1	Gasket Set w/seals	47 755 08
Spring, idle fuel	200380	Gasket, fuel pump pad	47 041 04	Gasket Set w/o seals	47 004 01
Needle, idle fuel adj.	235006	Pump, fuel	47 559 04	GOVERNOR — Group 17	
Spring, main fuel	200383	Washer, 1/4 I.D. (2)	X-25-63	Washer, 1/4 I.D.	X-25-55
Needle, main fuel adj.	235415	Connector, 90° hose	X-391-1	Spacer	X-400-80
Kit, float	25 757 03	Connector, 90° hose	X-391-11	Pin, governor stop	231355
Gasket, bowl baffle	25 041 02	GOVERNOR — Group 17		Retainer, rod	235278
Pin, float hinge	200376	Washer, 1/4 I.D.	X-25-55	Bushing	235476
Gasket, bowl	200375	Spring, governor	235496	Spring, governor	235496
Bowl, fuel	235448	Washer, thrust	237022	Washer, thrust	237022
Screw, bowl retainer	47 100 06	Kit, governor gear	A-235743-S	Kit, governor gear	237455
Gasket, bowl retainer screw	200372	Shaft, governor	237455	Lever, governor assembly	A-237653
Kit, repair	25 757 02	Lever, governor assembly	A-237653	Washer, 1/4 I.D.	X-25-72
Bracket, choke assembly	A-236919	GOVERNOR — Group 17			
Clip, choke cable	235603	Washer, 1/4 I.D.	X-25-72		
CRANKCASE — Group 7					
Screw, H.C., 1/4-20x1/2 (4)	X-132-6				
Screw, H.C., 3/8-16x1 (4)	X-159-2				
Plug, expansion	X-230-11				
Seal, front oil	X-271-30				
Seal, rear oil	X-379-9				

DESCRIPTION	PART NO.	DESCRIPTION	PART NO.	DESCRIPTION	PART NO.
AIR INTAKE — Group 1		Gasket, camshaft cover		IGNITION — Group 18	
Screw, sems, 10-32x3/8 (3)	X-167-2	Cover, camshaft	235025	Screw, self tapping, 8-32x3/8	X-67-59
Nut, wing	X-276-7	Gasket, brg. plate .010 (A.R.)	235026	Screw, F.H.M., 10-24x3/8 (4)	X-131-1
Gasket, air horn	275341	Shaft, governor	235070	Screw, condenser	X-144-2
Base, air cleaner	45 094 01	Bearing, ball (2)	235125-S	Rod, breaker	47 411 04
Cover, air cleaner	45 082 01	Gasket, bearing plate	235376	Clip	X-728-1
Element	45 083 02	Shaft (2)	235757	Gasket, breaker cover	52 041 11
Element, pre-cleaner	52 083 02	Plate, bearing	236559	Grommet	220297
BAFFLES & SHROUD — Group 2		Plug, pipe (3)	45 156 03	Boot, spark plug	220791
Washer, 1/4 I.D.	X-25-53	Block, cylinder assembly (USE: Miniblock)	47 139 01	Cover, breaker	232535
Screw, H.C., 1/4-20x3/4 (4)	X-132-2	Insert, intake valve	C-237416	Plug, spark	235041-S
Screw, H.C., 1/4-20x1/2 (2)	X-132-6	Guide, valve (2)	230265	Clip, cable	275183
Baffle, side air	235652	Insert, exhaust valve	235007-S	Clip	275303
Housing, blower	235693	Bearing	230170	Breaker	47 150 03
Baffle, cylinder	236676		234866	Condenser	47 147 01
Baffle, head	237677	CRANKSHAFT — Group 8		Screw, H.C., 1/4-20x7/8 (2)	X-132-7
BREATHER & VENT — Group 3		Retainer (2)	X-269-34	Washer, 1/4 I.D.	X-25-68
Clamp, hose	X-426-3	Crankshaft	B-235837	Stator assembly	A-235741
Clamp, hose	X-426-9	Gear assembly (2)	47 042 01	Coil	47 145 02
Nut, hex. 1/4-20	X-799-1	Bearing, needle (2)	47 030 01	Screw	234423
Seal, breather	231032	Kit, spacer	47 755 01	Cable, high tension	234424
Reed, breather	235047	CYLINDER HEAD — Group 9		Core & Plate	235759
Gasket, breather plate	235048	Strap, lifting	47 445 01	Clip, coil	237919
Baffle, breather	235117	Gasket, head	237658	OIL PAN — Group 21	
Filter, breather	235118	Head, cylinder	237670	Plug, pipe, 3/4	X-75-6
Plate, breather	235631	Screw, H.C., 3/8-16x1-1/2 (8)	270158	Screw, H.C., 3/8-16x1-1/4 (4)	X-159-3
Gasket, valve cover	275144	Screw, H.C., 3/8-16x1-3/4	270721	Gasket, pan	235057
Cover, valve	275839	Washer, 3/8 I.D. (10)	270889	Base, oil pan	235115
Stud, valve cover	275220	DIPSTICK — Group 10		PISTON & ROD — Group 22	
Hose	47 326 02	Screw, R.H. (3)	X-131-2	Rod, conn. assy. (Std.)	A-237344
CAMSHAFT & VALVES — Group 4		Gasket	237064	Rod, conn. assy. (.010)	A-237344-10
Retainer, valve spring	230011	Dipstick	47 038 03	Piston assembly (Std.)	47 074 16
Rotator, valve	230020	Tube, oil fill	47 180 03	Piston assembly (.003)	47 074 17
Valve, intake	235008	FLYWHEEL — Group 13		Piston assembly (.010)	47 074 18
Spring, valve	235010	Washer, 5/8	X-25-104	Piston assembly (.020)	47 074 19
Retainer, spring upper (2)	235011	Nut, lock, 5/8-18	X-119-14	Piston assembly (.030)	47 074 20
Spring, valve	235168	Key	X-286-17	Ring set (Std. & .003)	235889
Pin, camshaft	235193	Flywheel	A-235908	Ring set (.010)	235890
Tappet (2)	D-235327	FUEL PUMP — Group 14		Ring set (.020)	235891
Valve, exhaust	235838	Screw, F.H.M., 1/4-20x3/4 (2)	47 086 08	Ring set (.030)	235892
Kit, retainers (2)	41 755 10	Clamp, hose (2)	X-426-9	Retainer (2)	47 018 01
Spacer, camshaft .005 (A.R.)	275066	Line, fuel	X-810-1	RETRACTABLE STARTER — Group 23	
Spacer, camshaft .010 (A.R.)	275067	Gasket, fuel pump pad	47 041 04	Screw (5)	X-156-2
Camshaft assembly	47 010 06	Pump, fuel	47 559 04	Cup	235685
Spring, actuating	47 089 01	Washer, 1/4 I.D. (2)	X-25-63	Screen, grass (stationary)	237250
CARBURETOR — Group 5		Connector, 90° hose	X-391-1	Kit, recoil starter	47 755 03
Connector, 90° hose	X-391-1	Washer, 1/4 I.D. (2)	X-25-63	Screw, R.H.M., 10-24x5/8 (5)	X-50-8
Screw, sltd. hd., 5/16-18x1 (2)	X-770-1	Connector, 90° hose	X-391-1	Screen, grass (rotating)	47 162 02
Gasket, carburetor	271030	Connector, 90° hose	X-391-11	Starter, recoil assembly	47 165 01
Carburetor assembly	47 053 29	GOVERNOR — Group 17		Spring	231705
Spring, idle speed	232555	Washer, 1/4 I.D.	X-25-55	Screw	231683
Screw, idle speed adj.	232556	Spacer	X-400-80	Sheave	231685
Spring, idle fuel	200380	Pin, governor stop	231355	Rope	231686
Needle, idle fuel adj.	235006	Retainer, rod	235278	Brake	231689
Spring, main fuel	200383	Bushing	235476	Washer	231690
Needle, main fuel adj.	235415	Spring, governor	235496	Screw	231691
Kit, float	25 757 03	Washer, thrust	237022	Dog	231695
Gasket, bowl baffle	25 041 02	Kit, governor gear	A-235743-S	Washer	231692
Pin, float hinge	200376	Shaft, governor	237455	Washer	231693
Gasket, bowl	200375	Lever, governor assembly	A-237653	Pulley	231697
Bowl, fuel	235448	Washer, 1/4 I.D.	X-25-72	Retainer	231699
Screw, bowl retainer	47 100 06	Nut, hex. 1/4-20	X-81-1	Spring	232525
Gasket, bowl retainer screw	200372	Screw, sems. 1/4-20x1-1/4	X-776-1	Spacer	47 112 04
Kit, repair	25 757 02	Washer, 1/4 I.D.	X-25-63	Housing	235696
Bracket, choke assembly	A-236919	Screw, 1/4 I.D.	X-25-102	Handle	234452
Clip, choke cable	235603	Screw, 8-32x1/4	X-51-8	MINIBLOCK	
CRANKCASE — Group 7		Clamp	48 755 10	Miniblock	C-237416
Screw, H.C., 1/4-20x1/2 (4)	X-132-6	Spacer	235085	Short Block	47 522 51
Screw, H.C., 3/8-16x1 (4)	X-159-2	Bracket	235084	Gasket Set w/seals	47 755 08
Plug, expansion	X-230-11	Bracket	235086	Gasket Set w/o seals	47 004 01
Seal, front oil	X-271-30	Washer, wave	275690		
Seal, rear oil	X-379-9	Screw, 1/4-20x1-1/4	X-132-9		